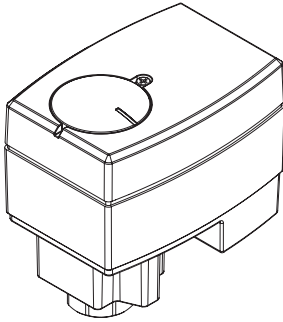
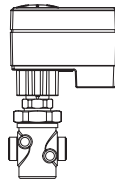


Operating Guide

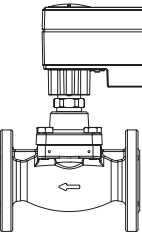
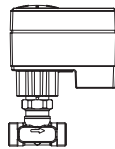
AMV 13



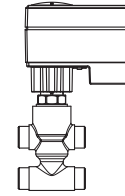
AMV 13 +
VM 2 (DN 15-32)



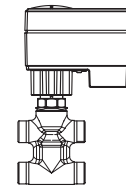
AMV 13 +
VS 2 (DN 20, 25)



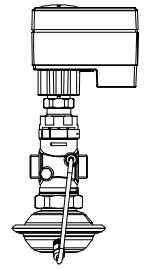
AMV 13 +
VB 2 (DN 15-25)



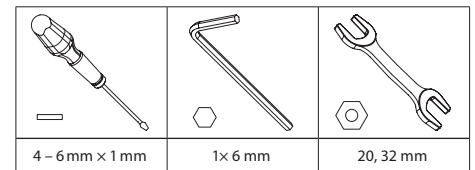
AMV 13 +
VZ (DN 15, 20)



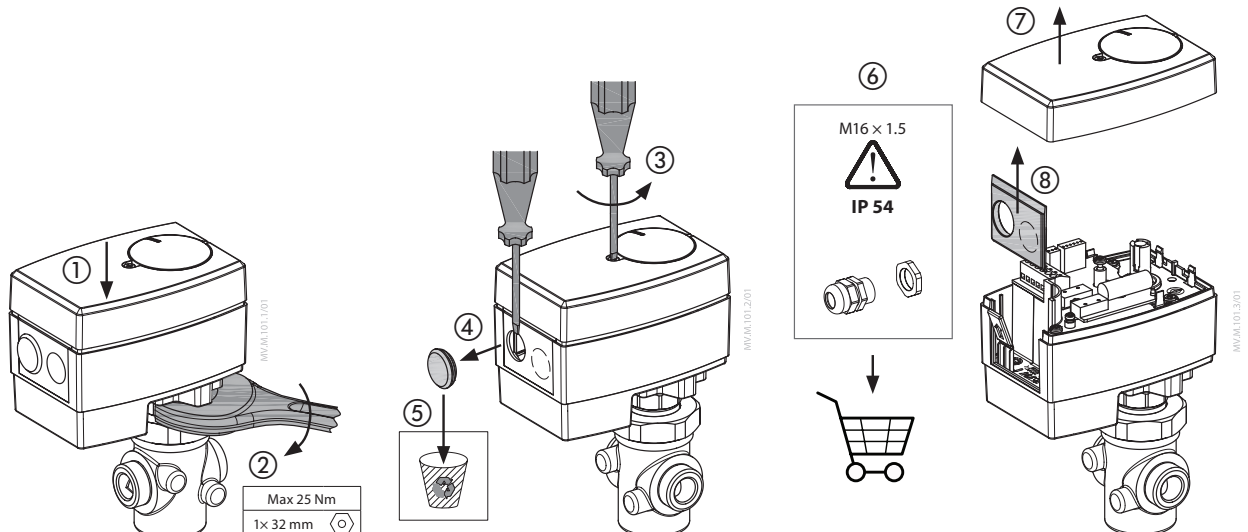
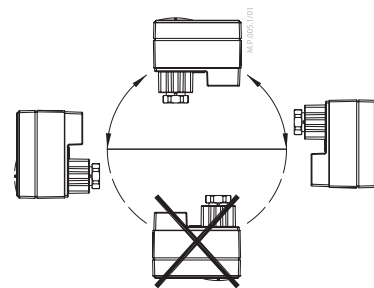
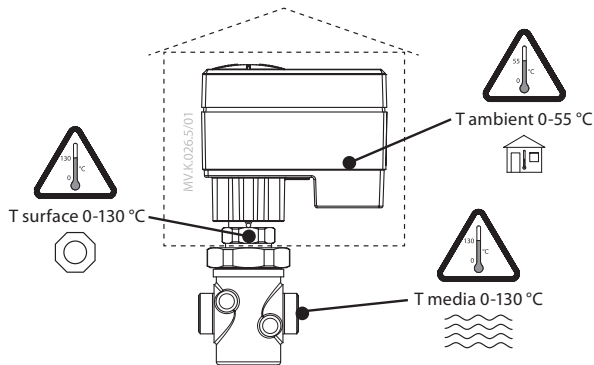
AMV 13 +
VZL (DN 15, 20)

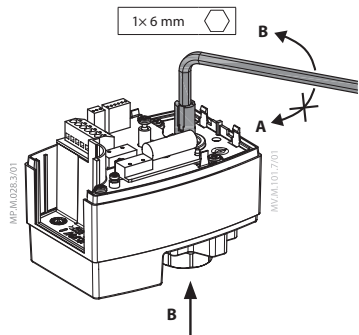
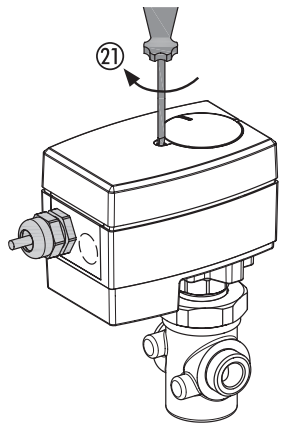
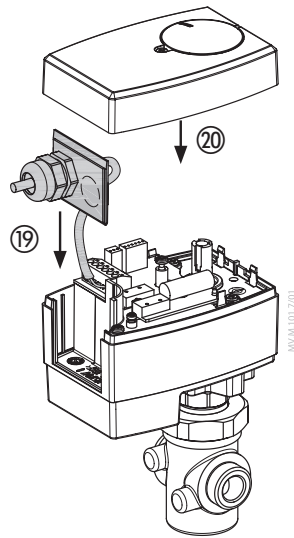
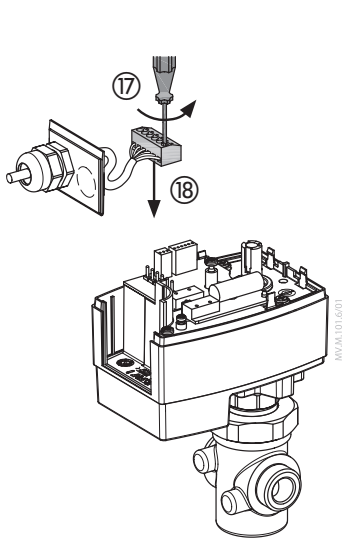
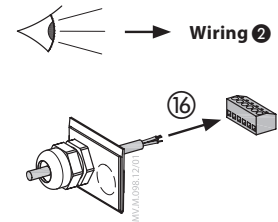
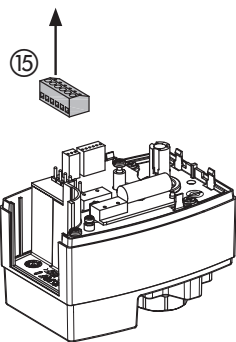
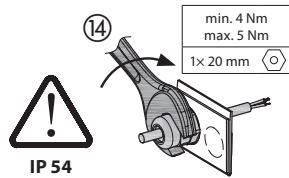
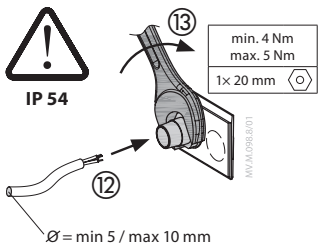
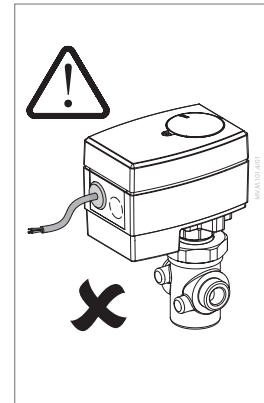
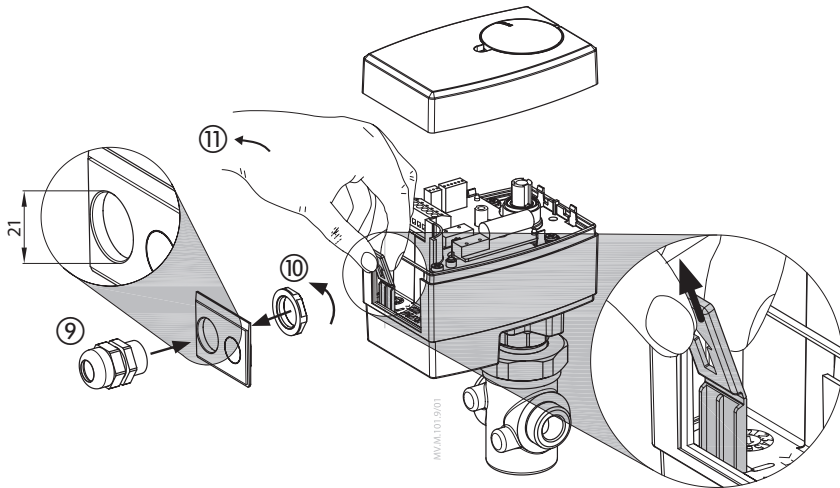


AMV 13 +
AVQM (see data sheet)



1



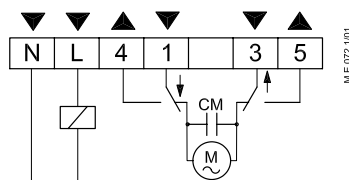


	CLOSE	OPEN
A ↓		
B ↑		

2



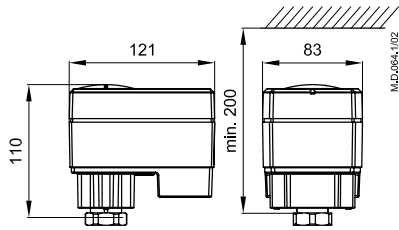
Code No.	
082G3004	24 V
082G3003	230 V



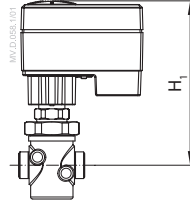
N	0 Vac	Neutral				
L	24/230 Vac	Power supply				
1	Input power supply	Input				
3						
4, 5	<table border="1"> <tr> <td>1</td> <td>4</td> </tr> <tr> <td>3</td> <td>5</td> </tr> </table>	1	4	3	5	Output
1	4					
3	5					

AMV 13

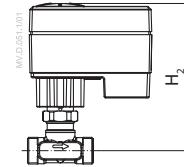
3



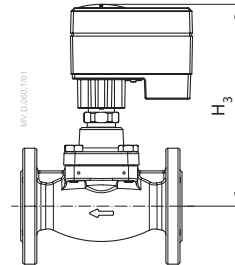
DN	H ₁	H ₂	H ₃
	mm		
15	166	-	195
20	166	152	195
25	166	158	195
32	166	-	-



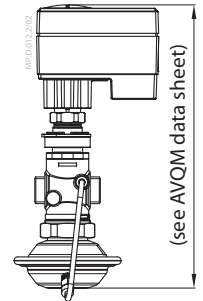
AMV 13 +
VM 2 (DN 15-32)



AMV 13 +
VS 2 (DN 20, 25)



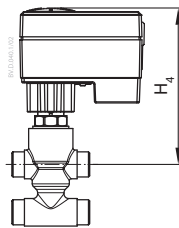
AMV 13 +
VB 2 (DN 15-25)



AMV 13 +
AVQM

Type	d	H ₄ (mm)
VZ 2 DN 15	G 1/2"	155
VZ 2 DN 20 ¹⁾	G 3/4"	
VZ 3 DN 15	G 1/2"	
VZ 3 DN 20 ¹⁾	G 3/4"	
VZ 4 DN 15	G 1/2"	
VZ 4 DN 20 ¹⁾	G 3/4"	

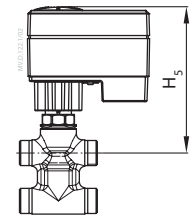
* conex valves DN 20 - G 1 1/8" 14 TPI



AMV 13 +
VZ (DN 15, 20)

Type	d	H ₅ (mm)
VZL 2 DN 15	G 1/2"	140
VZL 2 DN 20 ¹⁾	G 3/4"	146
VZL 3 DN 15	G 1/2"	140
VZL 3 DN 20 ¹⁾	G 3/4"	146
VZL 4 DN 15	G 1/2"	140
VZL 4 DN 20 ¹⁾	G 3/4"	146

¹⁾ conex valves DN 20 - G 1 1/8" 14 TPI



AMV 13 +
VZL (DN 15, 20)



Part Name 部件名称	Hazardous Substances Table/有害物质含量表					
	Lead (Pb) 铅 (Pb)	Mercury (Hg) 汞 (Hg)	Cadmium (Cd) 镉 (Cd)	Hexavalent Chromium (Cr(VI)) 六价铬 (Cr(VI))	Polybrominated biphenyls (PBB) 多溴联苯 (PBB)	Polybrominated diphenyl ethers (PBDE) 多溴二苯醚 (PBDE)
Brake weights/ 制动配重	X	O	O	O	O	O
Plug / 塞	X	O	O	O	O	O
Electromagnet/ 电磁体	X	O	O	O	O	O

O: Indicates that this hazardous substance contained in all of the homogeneous material for this part is below the limit requirement in GB/T 26572;
O: 表示该有害物质在该部件所有均质材料中的含量均在GB/T 26572规定的限量要求以下。

X: Indicates that this hazardous substance contained in at least one of the homogeneous material for this part is above the limit requirement in GB/T 26572;
X: 表示该有害物质至少在该部件的某一均质材料中的含量超出GB/T 26572规定的限量要求。

Danfoss A/S

Heating Segment • danfoss.com • +45 7488 2222 • E-Mail: heating@danfoss.com

Danfoss can accept no responsibility for possible errors in catalogues, brochures and other printed material. Danfoss reserves the right to alter its products without notice. This also applies to products already on order provided that such alterations can be made without subsequent changes being necessary in specifications already agreed. All trademarks in this material are property of the respective companies. Danfoss and all Danfoss logotypes are trademarks of Danfoss A/S. All rights reserved.