



SGA X 300 - AG LNX 300 TES X 300

**GAS-FIRED STORAGE WATER HEATER
OGRZEWACZ ZASOBNIKOWY OPALANY GAZEM
GÁZÜZEMŰ TÁROLÓS VÍZMELEGÍTŐ
ZÁSOBNÍKOVÝ OHŘÍVAČ VODY
AKUMULACNÝ PLYNOVÝ OHRIEVAC VODY
ÎNCĂLZITOARE DE APĂ PE GAZ, CU ACUMULARE**

- GB** INSTALLATION AND MAINTENANCE INSTRUCTIONS
- PL** INSTRUKCJA INSTALACJI I KONSERWACJI
- HU** KEZELÉSI, SZERELÉSI ÉS KARBANTARTÁSI UTASÍTÁS
- CZ** NAVOD NA INSTALACI A OBSLUHU
- SK** NÁVOD NA INŠTALÁCIU A ÚDRŽBU
- RO** INSTRUCȚIUNI DE INSTALARE ȘI ÎNTREȚINERE

GENERAL SAFETY INSTRUCTIONS

1. Carefully read the instructions and warnings contained in this manual; they provide important information for the safe installation, use and maintenance of your new appliance. This manual constitutes an integral and essential part of the product. It must always accompany the appliance, even when the latter is transferred to another owner or user and/or is installed on another system.

2. The manufacturer shall not be held liable for any damage or injury to persons or animals due to improper, incorrect and unreasonable use or due to failure to comply with the instructions set forth herein.

3. This appliance is designed to produce hot water for domestic use. It should be connected to the distribution mains supply for domestic hot water in accordance with the performance levels and power rating of the appliance. It is strictly forbidden to use the appliance for purposes other than those specified. The manufacturer shall not be held liable for any damage due to improper, incorrect or unreasonable use or due to failure to comply with the indications outlined in this manual.

The installation technician must be qualified and authorised to install heating equipment pursuant to Ministerial Decree n. 37, 22 January 2008 and subsequent amendments, updating the law governing the installation of systems inside buildings. This appliance, as regards contact with domestic water, satisfies the provisions of Ministerial Decree n. 174/2004, 6 April 2004.

4. Installation, maintenance and all other interventions must be carried out in full conformity with current legal regulations and any instructions provided by the manufacturer, pursuant to applicable law (Presidential Decree 74/2013 and subsequent amendments).

In the event of faults and/or malfunctions,

switch the appliance off and shut off the gas valve. Do not attempt to perform any repairs yourself but contact a qualified professional instead.

Any repairs must be carried out by qualified technicians using original spare parts only. Failure to comply with the above may jeopardise the device's safety and void the manufacturer's liability.

In the event of any maintenance or other work on structures in the immediate vicinity of the ducts or flue gas discharge devices and relevant accessories, turn the appliance off and on completion of the work, have the efficiency of the relative ducts or devices checked by a qualified professional.

5. Keep all packaging material (clips, plastic bags, expanded polystyrene, etc.) out of reach of children, as it may be potentially dangerous.

6. The appliance can be used by children older than 8 years and by people with reduced physical, sensory or mental abilities, or who lack adequate experience and the necessary knowledge, provided they are supervised or have been instructed on the safe use of the appliance and on the potential risks connected with it.

Children must not play with the appliance. Any cleaning and maintenance performed by the user must not be effected by unsupervised children.

7. It is mandatory to fit a regulatory safety valve onto the appliance's water inlet pipe. For countries that have implemented standard EN 1487, the safety unit must have a maximum pressure of 0.7 MPa and must include at least a shut-off valve, a check valve, a safety valve and a water pressure shut-off device.

8. The pressure safety device (safety valve or unit) must not be tampered with and must be operated regularly to verify that it is not clogged and to remove any limescale deposits.

9. It is normal that the safety unit drip when water is being heated. For this reason the drain outlet must be connected and always left open to the atmosphere, with a continuously downward-sloping drainage pipe installed in a location which is not subject to icy conditions.
10. The appliance must be drained and disconnected from the mains if it is to be left inactive in a room subject to frost.
11. Hot water running from taps at temperatures above 50°C may immediately cause serious burns. Children, the disabled and the elderly run a greater risk in this regard. It is therefore advisable to use a thermostatic mixing valve connected to the appliance's water outlet pipe (which is identified by a red collar).
12. No flammable items should be left in contact with or in the vicinity of the appliance.
13. Do not stand under the appliance or place anything under it that may be damaged by water leaks, for instance.
14. Do not use insecticides, solvents or aggressive detergents to clean the appliance; these may damage the plastic or coated surfaces.
15. If you detect a smell of burning or smoke coming from the appliance, shut it off, turn off the main gas valve, open all windows and call for assistance. Risk of injury due to burning, smoke inhalation or intoxication.
- 16. To keep the appliance in good working order, it must be serviced annually and have its combustion tested as required by local legislation. The technician doing these jobs must be qualified and fill out the maintenance booklet, as required by law.**

IMPORTANT!

TO ADAPT THE WATER HEATER WITH A GAS DIFFERENT FROM CALIBRATION ONE YOU MUST PROCEED TO CHANGE THE NOZZLES.

IT IS ADVISABLE TO EXECUTE THE NOZZLES CHANGE BEFORE PRODUCT INSTALLATION TO AVOID DISASSEMBLING THE GAS GROUP.

INSTRUCTIONS FOR THE USER

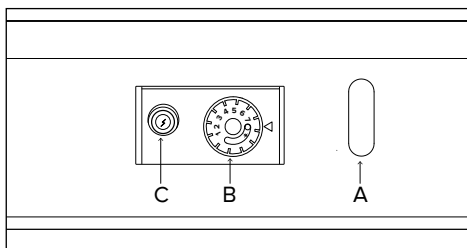


WARNING!

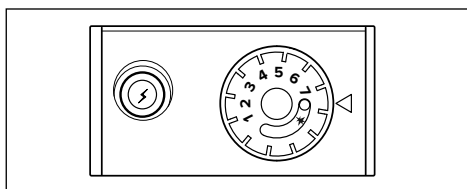
Installation, first ignition and maintenance work must be performed by qualified personnel only, in accordance with the instructions provided.

Incorrect installation may harm individuals, animals or property; the manufacturer will not be held responsible for any damage caused as a result. If the appliance is installed inside the apartment, make sure that all provisions relating to the air inlet and room ventilation (in compliance with current legislation) are respected.

IGNITION PROCEDURE



Turn knob B from **O** (off) to **★** (pilot).

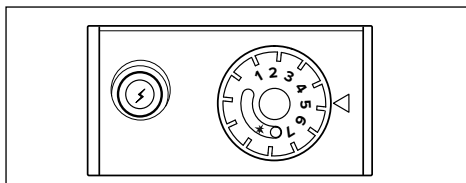


Press knob B fully in and hold it there; now press the piezoelectric igniter C. Check for a flame through hole A. Once the flame is on, continue holding knob B pressed in for a further 20 seconds or so. If the pilot flame does not stay on, repeat the above procedure.

SETTING THE WATER TEMPERATURE

Knob B can be used to set the hot water temperature.

Turn the knob from the ignition position **★** to the index corresponding to the desired temperature: from 1 (around 42°C) to 7 (around 70°C).



To reduce gas consumption and run the appliance more efficiently, it is best to leave the knob at setting 5 (around 60°C).

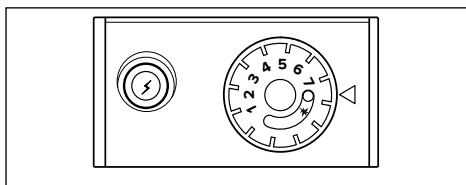
This temperature also reduces the formation of limescale inside the water heater, when the water supply is very hard (excessive calcium content).

WARNING!

Water heated to more than 50°C can cause serious burns. Always check the temperature of the water before using it.

SWITCHING THE APPLIANCE OFF

To switch the appliance off, turn knob B to **O** (off).



INSTRUCTIONS FOR THE USER

SUGGESTIONS FOR USE

Make sure that all hot water taps are tight and do not leak, as any leaks cause use of gas and can increase the water temperature.

It is essential to drain the heater if it will not be used and is in an area subject to freezing temperatures.

To drain the heater, you must:

- a) turn off the burner and close the gas supply valve;
- b) close the upstream water supply valve;
- c) remove the cold water supply pipe and remove the safety valve;
- d) connect a hose, of adequate length to reach the drain, to the water inlet fitting (blue ring) on the heater;
- e) open the hot water supply valve downstream of the water heater.

Warning!

When draining the heater, the water leaving the heater can be very hot.

Clean using a cloth dampened with soapy water. Do not use aggressive detergents, insecticides or toxic products.

If the appliance is used in full compliance with current legislation, it will operate in a safe, environmentally-friendly and cost-efficient manner.

NOTE: during this cleaning operation the inside water tank must not suffer any blows that could damage the internal protective lining.

RECOMMENDATIONS FOR PREVENTION OF LEGIONELLA GROWTH

Legionella are small rod shaped bacteria which are a natural constituent of all fresh waters. Legionnaires' disease is a serious pneumonia infection caused by inhaling the bacteria Legionella pneumophila or other Legionella species.

This bacterium is frequently found in domestic, hotel and other water systems and in water used for air conditioning or air cooling system. Hence the main intervention against the condition is prevention, through control of the organism in water systems.

The European standard CEN/TR 16355 gives recommendations for good practice concerning the prevention of Legionella growth in drinking water installations but existing national regulations remain in force.

This storage water heater is sold with a thermostat set at a temperature higher than 60°C; it means it is enabled to carry out a "thermal disinfection cycle" to restrict the Legionella growth inside the tank.

To prevent it from stagnating for long periods, water must be used or run abundantly at least once a week;

WARNING!

Water heated to more than 50°C can cause serious burns. Always check the temperature of the water before using it.

SAFETY REGULATIONS (FOR THE INSTALLER)

Key to symbols:



Failure to comply with this warning implies the risk of personal injury, in some circumstances even fatal.



Failure to comply with this warning may result in serious damage to property, plants or animals. The manufacturer is not liable for damage resulting from improper use of the product or failure to install it as instructed herein.

Install the appliance on a solid basement which is not subject to vibration.



Noisiness during operation.

When drilling holes in the wall for installation purposes, take care not to damage any electrical wiring or existing piping.



Electrocution caused by exposure to live wires.

Damage to existing plants.



Flooding due to water leaking from damaged pipes.

Make sure the installation site and any systems to which the appliance must be connected comply with applicable regulations.



Electrocution caused by contact with live wires that have been incorrectly installed.



Damage to the device caused by improper operating conditions.

Use suitable manual tools and equipment (make sure in particular that the tool is not worn out and that its handle is fixed properly); use them correctly and make sure they do not fall from a height.

Replace them once you have finished using them



Personal injury caused by flying splinters or fragments, inhalation of dust, knocks, cuts, puncture wounds and abrasions.



Damage to the device or surrounding objects caused by flying splinters, knocks and incisions.

Make sure that any portable ladders are securely positioned, that they are strong enough, that the steps are intact and not slippery, that the ladders are not moved with someone on them and that someone supervises at all times.



Personal injury caused by falling from a height or shearing (step ladders shutting accidentally).

Make sure that any rolling ladders are positioned securely, that they are suitably sturdy, that the steps are intact and not slippery. Make sure that the ladders are fitted with handrails on either side of the ladder and parapets on the landing.



Personal injury caused by falling from a height.

During all work carried out at heights (generally above two metres), make sure that parapets are used to surround the work area or that individual harnesses are used to prevent falls. The space where any accidental fall may occur should be free from dangerous obstacles, and covered by semirigid or deformable surfaces for cushioning.



Personal injury caused by falling from a height.

Make sure that the work area has adequate hygiene and health conditions in terms of lighting, venti-

lation and the solidity of relevant structures.



Personal injury caused by knocks, stumbling, etc.

Protect the appliance and all areas in the vicinity of the work site using suitable material.



Damage to the device or surrounding objects caused by flying splinters, knocks and incisions.

Handle the appliance with suitable protection and with care.



Damage to the device or surrounding objects caused by shocks, knocks, incisions and crushing.

During all work procedures, wear individual protective clothing and equipment. Do not touch the installed product if barefoot or if any part of your body is wet.



Personal injury caused by electrocution, flying splinters or fragments, inhalation of dust, shocks, cuts, puncture wounds, abrasions, noise and vibration.

Arrange materials and equipment in such a way as to make handling easy and safe, and avoid forming any piles which could give way or collapse.



Damage to the device or surrounding objects caused by shocks, knocks, incisions and crushing.

All operations on the inside of the appliance must be performed with the necessary caution in order to avoid abrupt contact with the sharp parts.



Personal injury caused by cuts, puncture wounds and abrasions.

Reset all safety and control functions affected by any work carried out on the appliance and make sure that they operate correctly before restarting it.



Damage or shutdown of the device caused by out-of-control operation.

Svuotare i componenti che potrebbero contenere acqua calda, attivando eventuali sfiati, prima della loro manipolazione.



Lesioni personali per ustioni.

Descale the components, in accordance with the instructions provided on the “safety data sheet” of the product used, airing the room, wearing protective clothing, avoid mixing different products, and protect the appliance and surrounding objects.



Personal injury caused by acidic substances coming into contact with skin or eyes, inhaling or swallowing of harmful chemical agents.



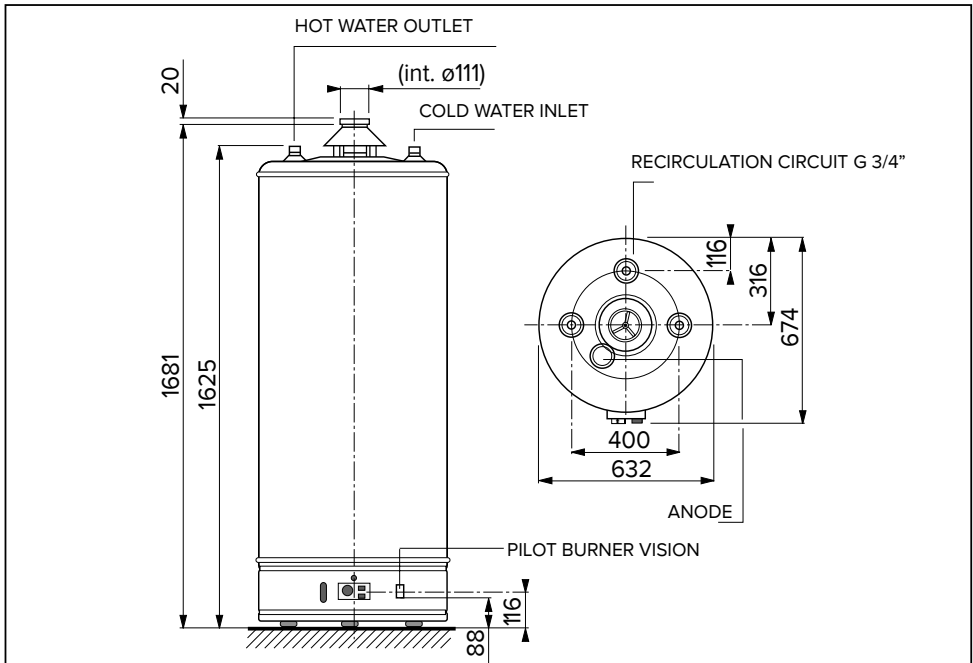
Damage to the appliance or surrounding objects due to corrosion caused by acidic substances.

TECHNICAL CHARACTERISTICS

The heater is made up of:

- a tank protected inside by a layer of vitreous enamel, with a long-life anode for protection against corrosion;
- an outer covering in painted steel;
- an insulation using high density polyurethane foam (without CFC) that reduces heat losses;
- a flue gas hood to protect against the return of combustion products;
- a gas valve complete with:
 - an adjustable thermostat with a number of positions,
 - a safety system using a thermocouple,
 - a temperature limiter that stops the gas supply if operation is not correct;
- a tubular low-noise stainless steel burner, adaptable for use with all types of gas;
- piezoelectric ignition;
- a safety device to protect against the return of flue gas.

OVERALL SIZE



MODEL	Capacity (litres)	HEATING TIME		Heat input kW	Useful rating kW
		t 25°C	t 45°C		
300	275	40 min	65 min	16	14

CATEGORY II_{2H3+} Type B11 BS	for heaters arranged for operation with natural gas (methane) adaptable to operation with LPG.
---	--



WARNING!

Install the appliance to a solid wall, not subject to vibrations.

When drilling the wall, take care not to damage any existing electrical wiring or pipes.

Make sure the installation site and any systems to which the appliance must be connected comply with applicable regulations.

POSITIONING

To allow easy access for maintenance, make sure to install the unit with sufficient clearance around it.

Position the appliance near the chosen wall so that the two inlet and outlet pipes are parallel to it.

Should the water heater be installed in the corner between two walls, keep sufficient distance between the wall and the appliance for the installation and dismantling of the components.

Place of installation

The choice of installation location must observe applicable regulations.

The appliance must be installed perfectly vertical. The appliance may not be installed in the vicinity of a source of heat.

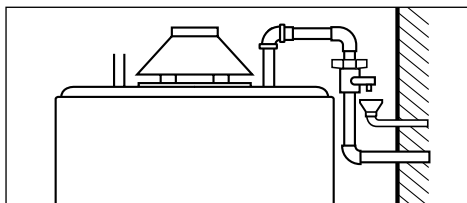
Do not install the appliance in a place where the temperature may fall below 0°C.

WATER CONNECTION

- Connect the heater to the water distribution system using a 3/4" pipe. The cold water inlet is on the right (blue ring) while the hot water outlet is at the left (red ring) as seen from in front of the heater.
- The heater must be fitted with a water safety valve - non-return valve (supplied with the heater) fitted to the inlet

pipe (blue ring). You must not tamper with the valve for any reason.

- Make sure by running the water for some time, that there is no foreign material in the water supply line, such as swarf, sand, pipe dope etc. Should any such material enter the water safety valve - non return valve, there can be faulty valve operation and in some case faults to the valve itself.
- Make sure that the water supply pressure is lower than 8 bar (0.8 MPa). If the pressure is higher, you must fit a high quality pressure reducer valve. In this case the safety valve will necessarily drip during heating. Said drip-page must appear even if upstream of the valve there is a non-return valve.
- Avoid the dripping of the valve falls on to the water heater.
Apply the valve, envisioning a small collection funnel (drip) connected to the drain.



IMPORTANT!

If the appliance is installed in a hard water area (> 200 mg/l), a softener should be installed to limit the amount of limescale building up in the heat exchanger. The guarantee does not cover damage caused by limescale.

DISCHARGE

Empty the appliance should this remain inactive in unheated premises, with environmental temperatures below zero.

Upon installation, envision such eventuality and connect a drain cock to fitting R.

TO EMPTY THE WATER HEATER:

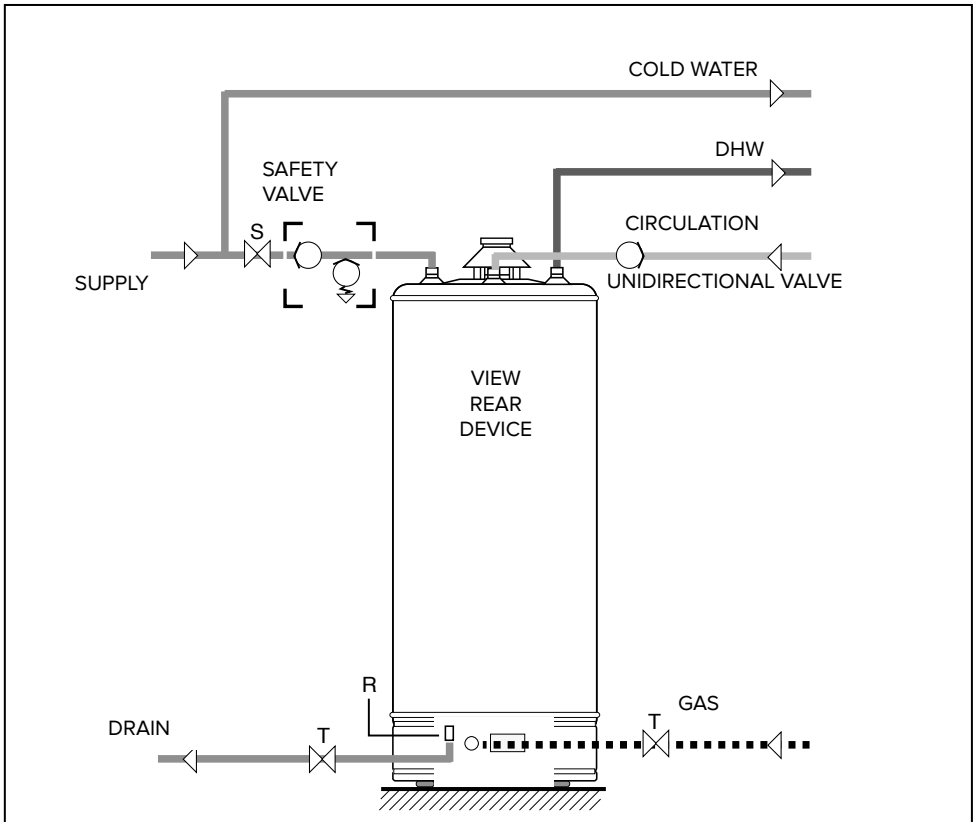
- Switch-off the burner and close the gas supply
- Close the shut-off cock upstream of the appliance;
- Open the use cocks downstream from the water heater;
- Open the drain cock connected to fitting R.

RECIRCULATION

Should the utility plant also include the circuit for the DHW recirculation, the same fitting R.

used for draining can be used.

The circuit at the side schematises the connection to be carried out in this case.



CONNECTION TO THE CHIMNEY

B 11bs-type appliances are open-chamber versions designed to be connection to a flue gas discharge duct which releases fumes towards the outside; combustion air is taken directly from inside the room in which the water heater is installed. Flue gas is discharged through a natural draught system.

This type of appliance cannot be installed in a room that does not meet the ventilation requirements of applicable regulations.

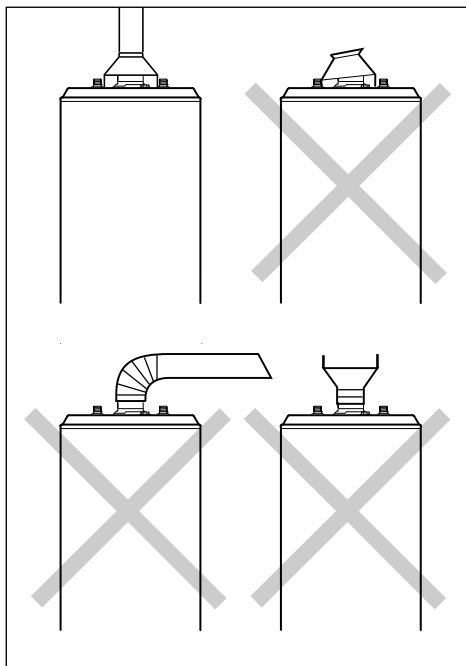
So that the normal operation of the appliance is not compromised, the place in which it is installed must be suitable with regard to the operating limit temperature value and the appliance should be protected so that it does not come into direct contact with atmospheric agents.

The appliance is designed for wall installation and must be fitted onto a wall capable of withstanding its weight. When creating a technical compartment for housing the appliance, leave sufficient clearance around the module to ensure easy access to its interior.

- The combusted gas fumes must be discharged outdoors via a pipe of minimum diameter 80 mm fitted into the hood of the appliance as indicated in the instructions and alternatives of applicable regulations (principally UNI-CIG 7129 and 7131).
- The flue must have a good draw.
- Avoid horizontal, downwards or constricted sections of flue pipe, since these can compromise the combustion efficiency of the appliance.
- If the flue pipe is run through a cold, unheated area, it should be fitted with an insulating jacket to prevent condensation forming.

- Never remove, modify or replace the appliance's hood, since it is an integral part of the gas water heater's combustion system.
- The installation technician is alone responsible for installing the flue pipe properly.

For correct gas-fi red water heater operation, the flue gas hood must be positioned as shown in the figure. Avoid absolutely any other type of installation such as those illustrated below.



FLUE GAS PROTECTOR OPERATION AND CONNECTION

Water heaters are equipped with a device which shuts off gas to the burner and hence stops the unit working when the flue is partly or completely obstructed.

This device is composed of a thermostat (A) set to $87\pm 3^{\circ}\text{C}$ mounted to the edge of the hood (B) and connected to the fitting interrupted by the gas valve.

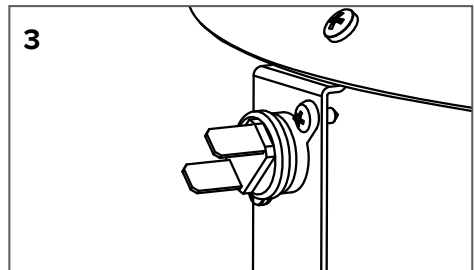
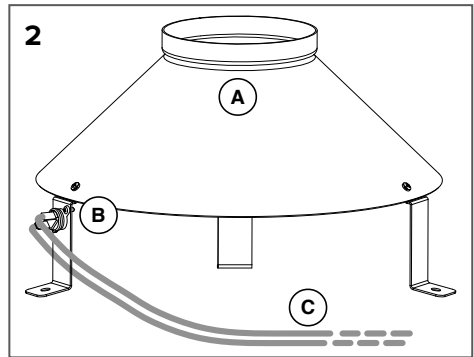
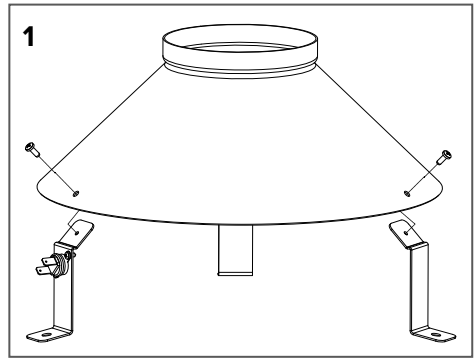
This is part of the hood kit provided with the appliance, and must be installed as described below.

- Install the flue gas hood "A" turning it to the best position with reference to the sensor "B" and the cable exit from the water heater.
- Connect the cable terminals "C" to the contacts of the flue gas protector (Fig.2).
- Proceed with normal water heater start-up. Should the appliance block, it must be re-started as follows:
 - as follows wait 10 minutes after the block occurs;
 - Re-start the water heater by following the instructions for the normal ignition.

Should the defect repeat, do not repeat appliance ignition but request the intervention of a qualified technician to remove the cause of the problem.

Make sure that the combustion products are properly expelled by measuring the CO_2 content at the nominal heat output. This value should not exceed that indicated in the Technical Data table.

If the value is greater, check the efficiency of the flue gas exhaust system. If it is not possible to bring the CO_2 value within the limit indicated in the Technical Data table, do not start the appliance.



WARNING!!

THE FUMES SENSOR MUST NOT BE MODIFIED OR DISABLED; DOING SO CAN COMPROMISE THE OPERATION OF THE APPLIANCE.

**POOR DRAW CAN CAUSE THE COMBUSTED GAS TO FLOW BACK INTO THE ROOM IN WHICH THE UNIT IS INSTALLED.
DANGER OF INTOXICATION BY CARBON MONOXIDE.**

GAS CONNECTION



WARNING!

Installation, first ignition and maintenance work must be performed by qualified personnel only, in accordance with the instructions provided.

- Make sure that the main gas supply matches the gas type on the unit's data plate
- Open all doors and windows
- Make sure there are no sparks or naked flames in the room
- Water heaters are normally adjusted for operation using methane gas G20 (PCI) 8100 kcal/m³ approximately. No adjustment is needed if this gas is in use.

Adjustment for other types of gas must be done only by qualified personnel.

- Use a 1/2" size pipe to connect the gas supply to the valve.
- We suggest you fit a stop valve in the gas supply line, upstream of the gas unit.
- Make the connection to the gas supply using rigid pipes (steel, copper etc) and not thermoplastic nor rubber pipes.
- After taking off the cover and making the connection, check for leaks in the gas system using soapy water. Do not use a flame for this test.

The water heater has a magnesium anode fitted in the tank. The life of the anode

is proportional to the average temperature, the chemical composition and the amount of water supplied.

We suggest you check the state of the anode every 18-24 months, noting that the surface must be relatively smooth. If the diameter is less than 10-12mm, we suggest you replace the anode with a new original anode.

The anode is fitted in the lower part of the water heater, below the protection cover.

IMPORTANT!

TO ADAPT THE WATER HEATER WITH A GAS DIFFERENT FROM CALIBRATION ONE YOU MUST PROCEED TO CHANGE THE NOZZLES.

IT IS ADVISABLE TO EXECUTE THE NOZZLES CHANGE BEFORE PRODUCT INSTALLATION TO AVOID DISASSEMBLING THE GAS GROUP.

RESERVED FOR INSTALLATION PERSONNEL

Instructions for conversion of the fuel gas from the original settings: from Natural gas (G20) to liquefied gas LPG (G30-G31) with Gas valve Model EUROSIT

To adapt the water heater to a type of gas differing from that set originally, proceed as follows as illustrated in the image sequence.

The nozzle hole sizes (1/100 cm) are given in the following table.

Don't put anything among the nozzle and the inlet of Venturi pipe.

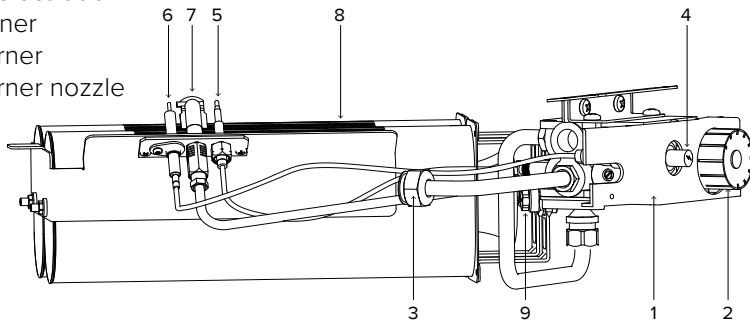
IMPORTANT!

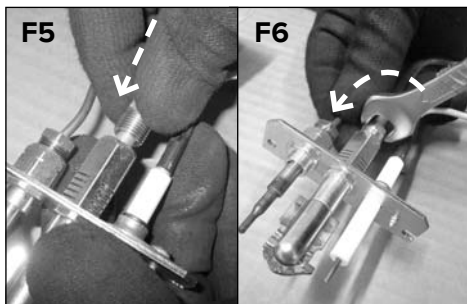
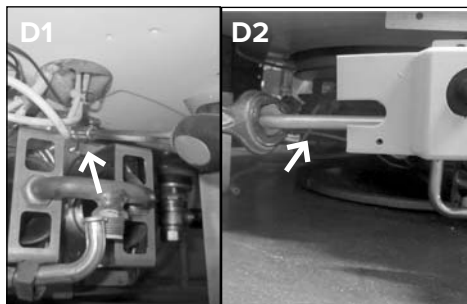
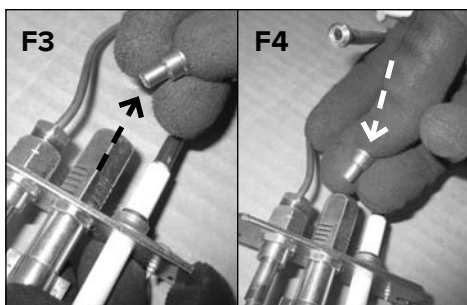
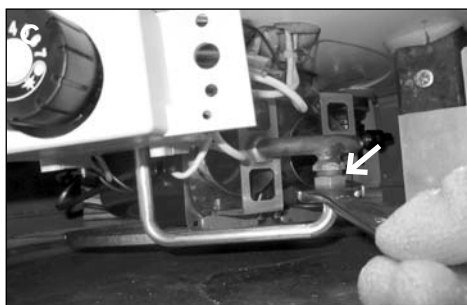
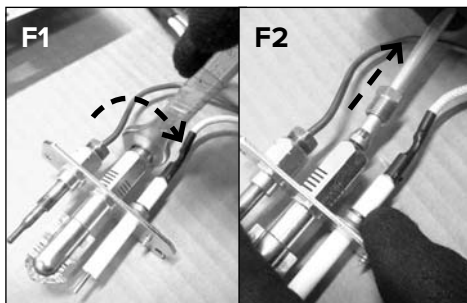
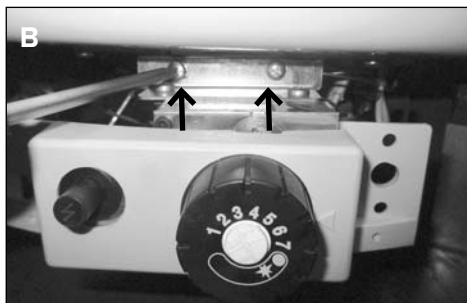
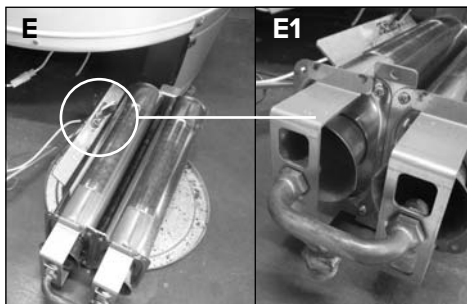
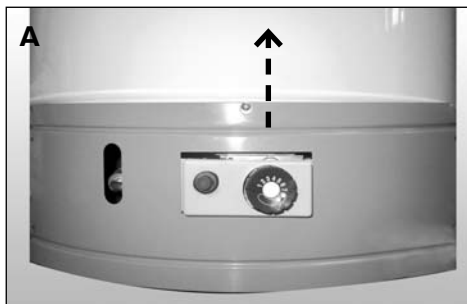
TO ADAPT THE WATER HEATER WITH A GAS DIFFERENT FROM CALIBRATION ONE YOU MUST PROCEED TO CHANGE THE NOZZLES.

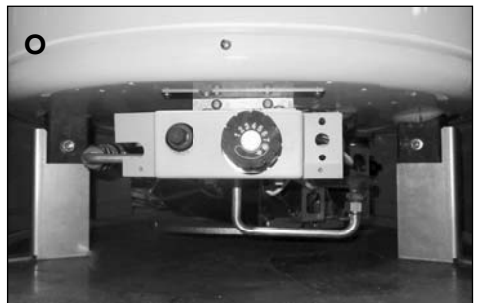
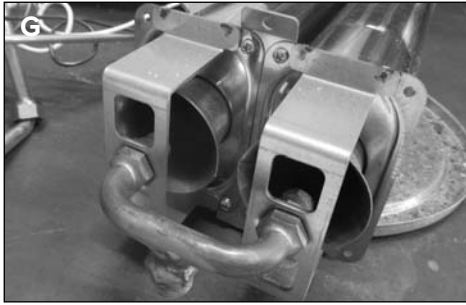
IT IS ADVISABLE TO EXECUTE THE NOZZLES CHANGE BEFORE PRODUCT INSTALLATION TO AVOID DISASSEMBLING THE GAS GROUP.

	MAIN BURNER	PILOT BURNER
MODEL	300	
GAS metano (G20)	2,4	0,27x2
GAS liquido (G30 G31)	1,55	0,22x1

- 4**
1. Gas valve
 2. Temperature regulation Knob
 3. 1/2" G gas connection
 4. Piezo igniter
 5. Thermocouple
 6. Ignition electrode
 7. Pilot burner
 8. Main burner
 9. Main burner nozzle







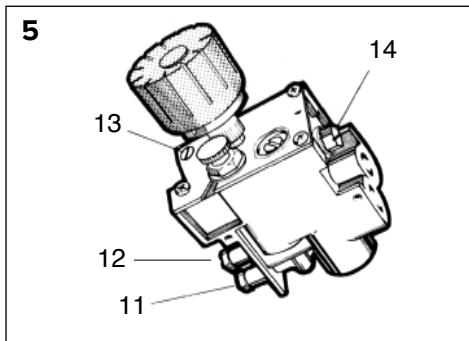
CHECKING THE SUPPLY PRESSURE

The gas supply pressure measured at the pressure fitting 11 (fig.5), using a pressure gauge and expressed in mbar.

ADJUSTING THE PILOT FLAME (EUROSIT valve)

Adjust by acting on screw 11 (fig.5).

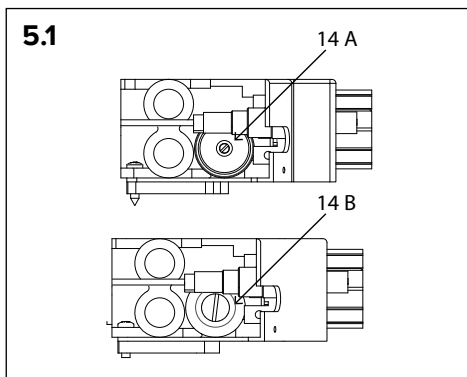
The pilot flame is correctly adjusted when its length is approximately 2-3 cm and the flame touches the upper part of the thermocouple.



		GAS SUPPLY PRESSURE	GAS VALVE PRESSURE OUTLET
Methane (G20)		20 mbar	13,3
LPG	Butane (G30)	28 ÷ 30 mbar	25,7
	Propane (G31)	37 mbar	28,4

WARNING! In case of use of G30, G31 Gas:

- **GAS VALVE TYPE A**
fully screw the regulator 14 A fig. 5.1
- **GAS VALVE TYPE B**
unscrew the valve n*14 B, fig. 5.1, by turning it anti-clockwise for two rounds.



SAFETY DEVICES

To guarantee the correct functionality of the appliance, this is equipped with the following safety devices:

- **Thermocouple flame control**
it interrupts the flow of gas in case of no pilot flame. The repetitive, not occasional, intervention of this safety device, indicates an incorrect functioning of the appliance for which the intervention of qualified staff is necessary.
- **Overtemperature thermostat**
acts with the same methods of the thermocouple in case the water temperature exceeds 90°C; in this case, the appliance cannot be re-ignited until the hot water has been drained. However, the intervention of qualified staff is necessary for the removal of the defect before re-ignition of the appliance.

MAINTENANCE

Maintenance is an essential to the safe and efficient operation of the appliance and ensures a long service life. It should be performed in accordance with the instructions set out by current legislation.



WARNING!

Before doing any maintenance work, close the gas supply cock and the domestic water circuit cock.

We recommend you make the following checks on the water heater at least once a year

1. Check for water leaks.
2. Check for gas leaks and replace gaskets as necessary.
3. Inspect the overall condition of the water heater and the combustion.
4. Inspect the combustion chamber and clean the burner if necessary.
5. Following checks 3 and 4, remove and clean the nozzle if necessary.
6. Adjust for correct gas flowrate.
7. Check operation of the water safety devices (temperature and pressure limits).
8. Check for correct operation of gas safety systems (gas or flame failure, gas valve etc)
9. Check that the room is correctly ventilated.

10. Check that the combustion products (flue gas) are exhausted correctly.
NB: during this cleaning operation the inside water tank must not suffer any blows that could damage the internal protective lining.

Information for the user

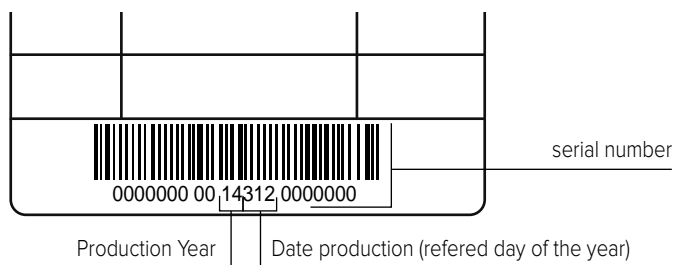
Inform the user on how to operate the appliance.

In particular, provide the user with the instruction manual and inform him/her that it must be stored with the appliance.

Moreover, make sure the user is aware of the following:

- How to set the temperature and adjustment devices for using the appliance correctly and in a more cost-efficient way.
- The system must be serviced regularly in compliance with the law.
- The settings relating to the supply of combustion air and combustion gas must not in any event be modified.

LABEL



TECHNICAL DATA

Supplier's model identifier	SGA X... - AG LNX... - TES X...	
Model	300	
Certificate CE	51CT4893	
Nominal capacity	l	275
Real capacity	l	275
Nominal pressure	bar	8
Nominal heat rating	kW	16
Useful rating	kW	14
Heating time for DHW t 45°C	min.	62
Heat loss at 65° Celsius (EN12867:2006)	kW h/24h	2,86
Hot water flow rate		
supply at 30K	l/h	401
supply at 40K	l/h	301
Erp DHW		
Declared Load profile	XXL	
Water heating efficiency η_{wh}	%	63
Water Heating efficiency class	B	
Daily electricity consumption Q_{elec}	kWh	--
Daily fuel consumption Q_{fuel}	kWh	38,89
Sound power level LWA L_{WA}	dB	59
Emissions of nitrogen oxides	[mg/kWh]	31
Annual electricity consumption AEC	kWh/annum	--
Annual fuel consumption AFC	GJ/annum	30,7
Mixed water at 40°C V40	l	396
Set-point temperature "out of the box"	°C	50
Thermostat temperature settings	4	
Gas supply pressure		
G20 Methane	mbar	20
G30 Butane LPG	mbar	28 ÷ 30
G31 Propane LPG	mbar	37
gas consumption		
G20 Methane	m ³ /h	1,69
G30 Butane LPG	kg/h	1,262
G31 Propane LPG	kg/h	1,243
Combustion gas values		
Draught	mbar	0,015
Flue gas flow rate	g/sec	16
Flue gas temperature	°C	137

For the list of equivalent models refer to Annex A, an integral part of this booklet.

The products without the label and its board for sets of heaters and solar devices, provided for in Regulation 812/2013, are not intended for use in such sets.

OGÓLNE INSTRUKCJE BEZPIECZEŃSTWA

1. Uważnie przeczytać instrukcje i ostrzeżenia zawarte w niniejszym dokumencie; zawierają one ważne informacje na temat bezpiecznej instalacji, użytkowania i konserwacji nowego urządzenia. Niniejsza instrukcja stanowi nieodłączną i istotną część produktu. Musi zawsze towarzyszyć urządzeniu, również wówczas, gdy jest ono przekazywane innemu właścicielowi lub użytkownikowi i/lub instalowane w innym systemie.

2. Producent nie ponosi odpowiedzialności za jakiegokolwiek szkody lub obrażenia osób lub zwierząt spowodowane niewłaściwym, nieprawidłowym i nieuzasadnionym użytkowaniem lub w wyniku nieprzestrzegania instrukcji zamieszczonych w niniejszym dokumencie.

3. Niniejsze urządzenie jest przeznaczone do wytwarzania gorącej wody do użytku domowego. Powinno być podłączone do sieci dystrybucyjnej ciepłej wody użytkowej zgodnie z poziomami wydajności i mocy znamionowej urządzenia. Zabrania się użytkowania urządzenia do celów innych niż określone. Producent nie ponosi odpowiedzialności za jakiegokolwiek szkody spowodowane niewłaściwym, nieprawidłowym i nieuzasadnionym użytkowaniem lub z powodu nieprzestrzegania instrukcji zamieszczonych w niniejszym dokumencie.

Instalator musi posiadać kwalifikacje i uprawnienia do instalacji urządzeń grzewczych zgodnie z Rozporządzeniem Ministerialnym nr 37 z 22 stycznia 2008 z późniejszymi zmianami, aktualizującymi przepisy prawne dotyczące instalacji w budynkach.

Niniejsze urządzenie spełnia postanowienia Rozporządzenia Ministerialnego nr 174/2004 z 6 kwietnia 2004 w zakresie do kontaktu z wodą do użytku domowego.

4. Instalacja, konserwacja i wszelkie inne działania muszą być przeprowadzane w pełnej zgodności z obowiązującymi prze-

pisami prawnymi i wszelkimi instrukcjami dostarczonymi przez producenta, zgodnie z obowiązującym prawem (Rozporządzenie Prezydenta 74/2013 z późniejszymi zmianami).

W razie wystąpienia usterek i/lub nieprawidłowego działania należy wyłączyć urządzenie i zawór gazu. Nie wykonywać samodzielnie żadnych napraw, ale skontaktować się z wykwalifikowanym specjalistą.

Wszelkie naprawy muszą być wykonywane przez wykwalifikowanych techników przy użyciu oryginalnych części zamiennych. Nieprzestrzeganie powyższych zaleceń może zagrozić bezpieczeństwu urządzenia i spowodować utratę odpowiedzialności producenta.

W razie jakichkolwiek prac konserwacyjnych lub innych działań na konstrukcjach znajdujących się w bezpośrednim sąsiedztwie przewodów lub urządzeń odprowadzających spaliny i odpowiednich akcesoriów, należy wyłączyć urządzenie i, po zakończeniu działań, zwrócić się do wykwalifikowanego personelu z prośbą o sprawdzenie sprawności odpowiednich kanałów lub urządzeń.

5. Należy przechowywać wszystkie materiały opakowaniowe (spinki, worki foliowe, pianka polistyrenowa, itd.) poza zasięgiem dzieci, ponieważ stanowią one potencjalne zagrożenie.

6. Urządzenie to nie jest przeznaczone do użycia przez dzieci poniżej 8 roku życia i osoby o ograniczonej zdolności fizycznej, czuciowej lub psychicznej lub braku doświadczenia i wiedzy, chyba że będą one nadzorowane lub zostaną poinstruowane na temat korzystania z tego urządzenia przez osobę odpowiedzialną za ich bezpieczeństwo.

Dzieci nie mogą się bawić urządzeniem. Wszelkie czyszczenie i konserwacja wykonywane przez użytkownika nie mogą być

- wykonywane przez dzieci pozbawione opieki.
7. Na rurze wlotowej urządzenia należy zamontować zawór regulacyjny bezpieczeństwa. W krajach, które wdrożyły normę EN 1487 jednostka bezpieczeństwa musi mieć maksymalne ciśnienie 0,7 MPa i musi zawierać przynajmniej jeden zawór odcinający, zawór zwrotny, zawór bezpieczeństwa i urządzenie odcinające ciśnienie wody.
 8. Urządzenie (zawór lub jednostka bezpieczeństwa) nie może być naruszane i musi być regularnie obsługiwane w celu sprawdzenia, czy nie jest zatkane i w celu usunięcia wszelkich osadów.
 9. Wycieki z jednostki bezpieczeństwa podczas podgrzewania wody są normalną sytuacją. W związku z tym, odpływ musi być podłączony i zawsze pozostawiony otwarty do otoczenia, z rurą spustową ustawioną w sposób ciągły w dół, w miejscu, które nie jest narażone na oblodzenie.
 10. Jeśli urządzenie będzie narażone na bardzo niskie temperatury, należy je opróżnić i odłączyć od zasilania.
 11. Gorąca woda płynąca z kranów o temperaturze powyżej 50°C może natychmiast spowodować poważne oparzenia. Dzieci, osoby niepełnosprawne i osoby starsze ponoszą większe ryzyko. W związku z tym, zaleca się stosowanie termostatycznego zaworu mieszającego podłączonego do rury wylotowej (która jest oznaczona czerwonym kołnierzem).
 12. Nie pozostawiać w kontakcie z urządzeniem lub w jego pobliżu żadnych łatwopalnych przedmiotów.
 13. Nie stawiać pod urządzeniem i nie umieszczać pod nim żadnych przedmiotów, ponieważ mogą zostać uszkodzone przez wyciekającą wodę.
 14. Nie stosować do czyszczenia urządzenia środków owadobójczych lub agresywnych detergentów; mogą one uszkodzić plastikowe lub powlekane powierzchnie.
 15. W razie wyczucia zapachu spalenizny lub dymu pochodzącego z urządzenia, należy wyłączyć główny zawór gazu, otworzyć wszystkie okna i wezwać pomoc. Ryzyko zranienia z powodu pożaru, wdychania dymu lub zatrucia.

16. Aby zapewnić prawidłowe działanie urządzenia, należy je corocznie konserwować i poddawać testom spalania, zgodnie z miejscowymi przepisami. Czynności te powinny być powierzone wykwalifikowanemu technikowi, który musi spełniać wymagania opisane w instrukcji, zgodnie z przepisami prawa.

WAŻNE!

ABY DOSTOSOWAĆ OGRZEWACZ WODY DO GAZU INNEGO NIŻ WYNIKA TO Z JEGO USTAWIEŃ, NALEŻY PRZEPROWADZIĆ WYMIANĘ DYSZY.

PRZEBROJENIE NALEŻY PRZEPROWADZIĆ PRZED MONTAŻEM, ABY UNIKNĄĆ KONIECZNOŚCI ROZMONTOWYWANIA GRUPY GAZOWEJ.

INSTRUKCJE DLA UŻYTKOWNIKA

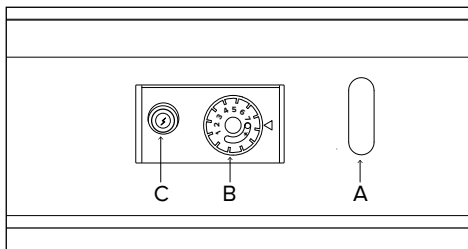


OSTRZEŻENIE!

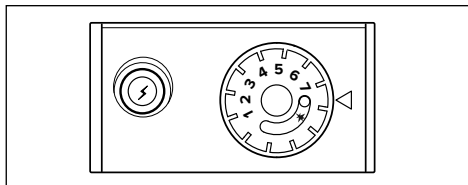
Czynności związane z instalacją, pierwszym zapłonem i konserwacją muszą być wykonane wyłącznie przez wykwalifikowany personel, zgodnie z dostarczonymi instrukcjami.

Nieprawidłowa instalacja może prowadzić do zranienia osób, zwierząt lub uszkodzenia własności. Producent nie odpowiada za jakiegokolwiek powstałe z tego powodu szkody. Jeśli urządzenie jest zainstalowane w mieszkaniu, należy się upewnić, że zostały spełnione wszelkie wymagania dotyczące wlotu powietrza i wentylacji pomieszczenia (zgodnie z obowiązującymi przepisami).

PROCEDURA ZAPŁONU



Przekręcić pokrętkę B z pozycji **O** (off) na **★** (pilot).



Nacisnąć do oporu przycisk B i przytrzymać; następnie nacisnąć zapalnik piezoelektryczny C.

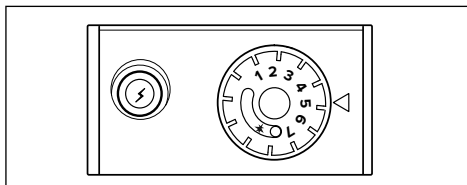
Sprawdzić płomień przez otwór A. Po pojawieniu się płomienia, przytrzymać wciśnięty przycisk B przez kolejne 20 sekund.

Jeśli płomień pilotujący nie jest obecny, należy powtórzyć powyższą procedurę.

REGOLAZIONE DELLA TEMPERATURA DELL'ACQUA

W celu ustawienia temperatury możliwe jest użycie pokrętki B.

Przekręcić pokrętkę z pozycji zapłonu **★** na wskaźnik odpowiadający żądanej temperaturze: od 1 (około 42°C) do 7 (około 70°C).



Aby zmniejszyć zużycie gazu i umożliwić wydajniejszą pracę urządzenia zaleca się ustawienie pokrętki na 5 (około 60°C).

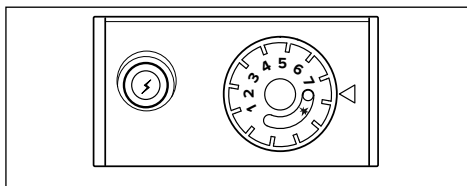
Temperatura ta zmniejsza również powstawanie osadów w ogrzewaczu wody w sytuacji, gdy woda w obiegu jest bardzo twarda (zbyt duża zawartość wapnia).

OSTRZEŻENIE!

Woda nagrzana do temperatury powyżej 50°C może spowodować poważne oparzenia. Zawsze sprawdzić temperaturę wody przed jej użyciem.

WYŁĄCZANIE URZĄDZENIA

Aby wyłączyć urządzenie, należy przekręcić pokrętkę B na **O** (off).



INSTRUKCJE DLA UŻYTKOWNIKA

ZALECENIA W CELU UŻYTKOWANIA

Upewnić się, że wszystkie kurki ciepłej wody są szczelne i nie przeciekają, ponieważ wycieki powodują użycie gazu i mogą zwiększyć temperaturę wody.

W razie długiego okresu przestoju, należy opróżnić podgrzewacz, jeśli znajduje się on w obszarze narażonym na ujemne temperatury.

Aby opróżnić ogrzewacz, należy:

- a) wyłączyć palnik i zamknąć zawór zasilania gazem;
- b) zamknąć górny zawór zasilania wodą;
- c) wyjąć rurę doprowadzającą zimną wodę i wyjąć zawór bezpieczeństwa;
- d) podłączyć odpowiedniej długości przewód, aby osiągnąć spust, do wlotu wody (niebieski pierścień) na ogrzewaczu;
- e) otworzyć zawór dostarczający gorącą wodę za ogrzewaczem.

Ostrzeżenie!

Podczas opróżniania ogrzewacza, wydostająca się z niego woda może być bardzo gorąca.

Czyścić za pomocą ściereczki zanurzonej w wodzie z mydłem. Nie stosować agresywnych detergentów, środków owadobójczych ani toksycznych produktów.

Jeśli urządzenie będzie używane w pełnej zgodności z obowiązującymi przepisami, będzie działało w bezpieczny dla środowiska i ekonomiczny sposób.

UWAGA: podczas czyszczenia, wewnątrz zbiornika wody nie mogą być obecne żadne poddmuchy, które mogłyby uszkodzić wewnętrzną wykładzinę.

ZALECENIA DOTYCZĄCE ZAPOBIEGANIA ROZPRZESTRZENIANIU SIĘ BAKTERII LEGIONELLA

Legionella to bakterie w kształcie małych pałeczek, które są naturalnym składnikiem wszystkich wód słodkich. Choroba legionistów jest poważnym zapaleniem płuc wywołanym przez wdychanie bakterii Legionella pneumophila lub innych gatunków bakterii Legionella.

Bakteria ta często występuje w systemach domowych, hotelach i innych systemach wodnych oraz w wodzie wykorzystywanej w klimatyzacji lub chłodzeniu powietrzem. W związku z tym, głównym działaniem chroniącym przed rozprzestrzenianiem się bakterii jest prewencja, polegająca na kontroli obecności bakterii w zbiornikach.

Norma europejska CEN/TR 16355 zawiera zalecenia dotyczące dobrych praktyk w zakresie zapobiegania rozprzestrzenianiu się bakterii Legionella w instalacjach wody pitnej, ale mają zastosowanie również miejscowe przepisy prawne.

Niniejszy zasobnikowy ogrzewacz wody jest sprzedawany z termostatem ustawionym na temperaturę 60°C. Oznacza to, że może on przeprowadzić „cykl dezynfekcji termicznej” w celu ograniczenia rozprzestrzeniania się Legionelli wewnątrz zbiornika.


Aby zapobiec stagnacji wody przez długi okres czasu, przynajmniej raz w tygodniu należy zużyć lub przemieszać wodę.


OSTRZEŻENIE!

Woda nagrzana do temperatury powyżej 50°C może spowodować poważne oparzenia. Zawsze sprawdzić temperaturę wody przed jej użyciem.


PRZEPISY BEZPIECZEŃSTWA (DLA INSTALATORA)

Klucz do symboli:


 Nieprzestrzeganie tego ostrzeżenia może spowodować ryzyko obrażeń ciała, w niektórych przypadkach nawet śmierć.


 Nieprzestrzeganie tego ostrzeżenia może spowodować poważne uszkodzenie mienia, maszyn lub zwierząt. Producent nie ponosi odpowiedzialności za szkody wynikające z niewłaściwego użytkowania produktu lub jego nieprawidłowej instalacji, zgodnie z instrukcją.

Zainstalować urządzenie na solidnej podstawie, nienarażonej na drgania.


 Hałas podczas pracy.


Podczas wiercenia otworów w ścianie w celach instalacyjnych należy uważać, aby nie uszkodzić żadnych przewodów elektrycznych lub istniejących rur.

 Porażenie prądem w wyniku kontaktu z przewodami pod napięciem. Uszkodzenia istniejących instalacji.

 Powódź spowodowana wyciekami wody z uszkodzonych rur.

Upewnić się, że miejsce instalacji i systemy, do których zostanie podłączone urządzenie są zgodne z obowiązującymi przepisami.


 Porażenie prądem spowodowane kontaktem z przewodami, które nie zostały prawidłowo zainstalowane.


 Uszkodzenie urządzenia spowodowane niewłaściwymi warunkami roboczymi.

Stosować narzędzia ręczne i wyposażenie (upewnić się, że narzędzie nie jest zużyte, a uchwyt jest prawidłowo zamocowany); używać ich w


prawidłowy sposób i upewnić się, że nie spadną z wysokości.

Odłożyć na miejsce po zakończeniu użycia.


 Zranienie spowodowane latającymi odłamkami lub fragmentami, wdychaniem pyłu, uderzeniami, przecięciami, ranami kłutymi i otarciami.

 Uszkodzenia urządzenia lub otaczających przedmiotów spowodowane przez odłamki, uderzenia i nacięcia.

Upewnić się, że wszelkie przenośne drabiny są ustawione w sposób stabilny, są wystarczająco mocne, a stopnie są nienaruszone, nieśliskie oraz, że drabiny nie są przenoszone ze znajdującymi się na nich osobami i stale nadzorowane.

 Uszkodzenie ciała spowodowane upadkiem z wysokości (przypadkowe złożenie drabiny).

Upewnić się, że wszelkie drabiny na kółkach są odpowiednio ustawione, stabilne, a ich stopnie są nienaruszone i nie są śliskie. Upewnić się, że drabiny są wyposażone w poręcze umieszczone po obu stronach i balustrady na podeście.

 Uszkodzenie ciała spowodowane upadkiem z wysokości.

Podczas wszystkich prac na wysokościach (zazwyczaj powyżej dwóch metrów) należy się upewnić, że strefa robocza jest ograniczona przy użyciu balustrad lub do zapobiegania wypadkom są używane indywidualne uprząże. Przestrzeń, w której może wystąpić przypadkowy upadek, musi być wolna od niebezpiecznych przeszkód i pokryta pólstywną lub odkształcalną powierzchnią umożliwiającą amortyzację upadku.

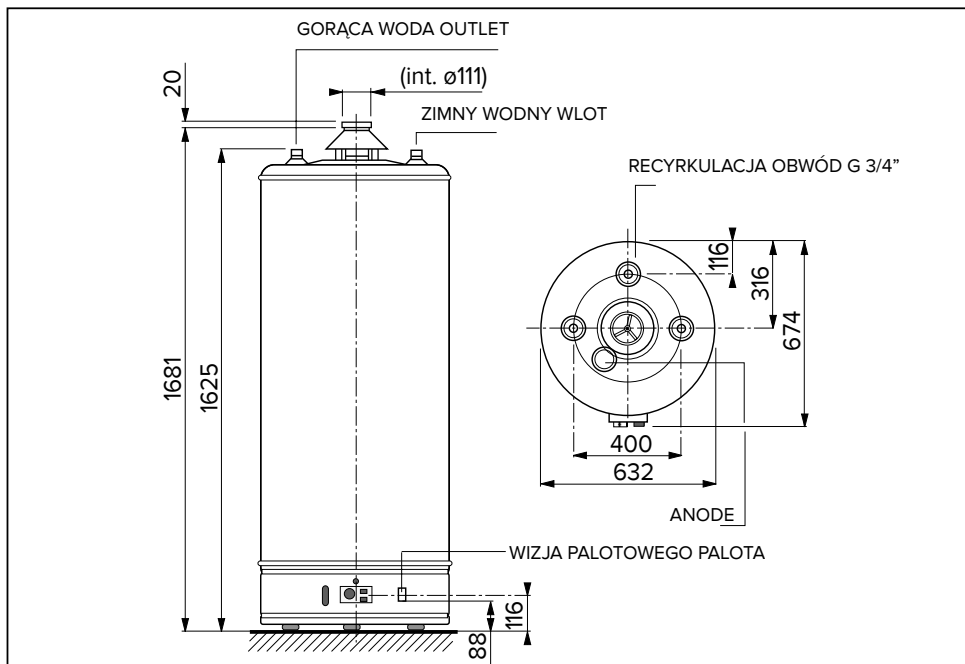
-  Uszkodzenie ciała spowodowane upadkiem z wysokości.
Upewnić się, że w obszarze roboczym panują odpowiednie warunki higieniczne w zakresie oświetlenia, wentylacji i trwałości odpowiednich konstrukcji.
-  Uszkodzenia ciała spowodowane uderzeniami, potknięciami, itp.
Chronić urządzenie i wszystkie obszary w pobliżu miejsca pracy za pomocą odpowiedniego materiału.
-  Uszkodzenia urządzenia lub otaczających przedmiotów spowodowane przez odłamki, uderzenia i nacięcia.
Zachować ostrożność podczas obchodzenia się z urządzeniem.
-  Uszkodzenia urządzenia lub otaczających przedmiotów spowodowane uderzeniami, nacięciami i zgnieceniami.
Podczas wszystkich procedur roboczych należy stosować środki ochrony indywidualnej i odpowiedni sprzęt. Nie dotykać zainstalowanego produktu z bosymi stopami lub mokrym ciałem.
-  Zranienie osobowe spowodowane w wyniku porażenia, latających odłamków, wdychania pyłu, uderzeń, ran, hałasu i otarc.
Rozmieścić materiały i sprzęt w taki sposób, aby posługiwanie się nim było łatwe i bezpieczne i by uniknąć tworzenia stosów, które mogłyby upaść.
-  Uszkodzenia urządzenia lub otaczających przedmiotów spowodowane uderzeniami, nacięciami i zgnieceniami.
Wszelkie działania wewnątrz urządzenia muszą być wykonane z zachowaniem należytej ostrożności, aby uniknąć nagłego kontaktu z ostrymi częściami.
-  Uszkodzenia ciała spowodowane przez przecięcia, rany kute i otarcia.
Skasować wszystkie funkcje bezpieczeństwa i sterowania, które wpływają na prace urządzenia i, przed uruchomieniem urządzenia, upewnić się, że są one sprawne.
-  Uszkodzenie lub wyłączenie urządzenia spowodowane przez działania niekontrolowane.
Przed rozpoczęciem działań należy opróżnić części, które mogą zawierać gorącą wodę, aktywując ewentualne spusty.
-  Zranienia w wyniku poparzenia.
Usunąć kamień z części zgodnie z instrukcjami zawartymi w „Karcie danych” używanego produktu, przewietrzyć pomieszczenie, stosować odzież ochronną, unikać mieszania różnych produktów i chronić urządzenie i otaczające je przedmioty.
-  Uszkodzenia ciała spowodowane przez kwaśne substancje w kontakcie ze skórą lub oczami, wdychane lub połknięcie szkodliwych środków chemicznych.
-  Uszkodzenie urządzenia lub otaczających przedmiotów w wyniku korozji spowodowanej kwaśnymi substancjami.

CHARAKTERYSTYKA TECHNICZNA

W skład ogrzewacza wchodzi następujące elementy:

- zbiornik zabezpieczony wewnątrz warstwą emalii ceramicznej z anodą o długiej żywotności w celu ochrony przed korozją;
- powłoka zewnętrzna z malowanej stali;
- izolacja za pomocą pianki poliuretanowej o dużej gęstości (bez CFC), która zmniejsza straty ciepła;
- gaz chroniący przed powrotem produktów spalania;
- zawór gazu z:
regulowanym termostatem z liczbą pozycji,
systemem bezpieczeństwa wykorzystującym termoparę,
ogranicznikiem temperatury, który zatrzymuje dopływ gazu, jeśli działanie nie jest prawidłowe;
- rurowy, niskosumowy palnik ze stali nierdzewnej, dopasowujący się do użycia z wszystkimi rodzajami gazu;
- zapłon piezoelektryczny;
- urządzenia bezpieczeństwa do ochrony przed powrotem gazu.

WYMIARY CAŁKOWITE



MODEL	POJEMNOŚĆ (litry)	CZAS OGRZEWANIA		WYDAJNOŚĆ CIEPLNA (kW)	MOC UŻYTECZNY (kW)
		t 25°C	t 45°C		
300	275	40 min	65 min	16	14

KATEGORIA II_{2H3+} Typ B11 BS	do ogrzewaczy przeznaczonych do pracy z gazem ziemnym (metanem), które można przystosować do pracy z LPG.
---	---



UWAGA!

Urządzenie należy zainstalować na solidnym podłożu, które nie jest narażone na drgania. Sprawdzić, czy pomieszczenie, w którym ma zostać zainstalowane urządzenie oraz instalacje, do których ma ono zostać podłączony, są zgodne z obowiązującymi przepisami.

USTAWIANIE

Ustawić urządzenie zgodnie z zasadami dobrej praktyki.

Ustawić urządzenie obok wybranej ściany w taki sposób, aby dwa przewody, wlotowy i wylotowy, były do niej równoległe. Jeśli ogrzewacz wody ma być zainstalowany w narożniku między dwiema ścianami, między ścianą a urządzeniem należy zachować odpowiednią odległość potrzebną do montażu i demontażu komponentów.

Miejsce instalacji

Wybór miejsca instalacji musi być zgodny z obowiązującymi przepisami.

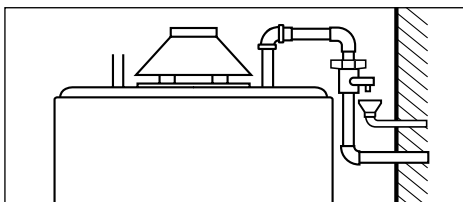
Urządzenie musi być idealnie wypoziomowane. Urządzenia nie wolno instalować w pobliżu źródła ciepła.

Nie instalować urządzenia w miejscu, w którym temperatura może spaść poniżej 0°C.

PODŁĄCZENIE WODY

- Podłączyć ogrzewacz do systemu dystrybucji wody za pomocą rury 3/4". Wlot zimnej wody znajduje się po prawej stronie (niebieski pierścień), a wylot gorącej wody (czerwony pierścień) znajduje się po lewej stronie, patrząc od przodu ogrzewacza.
- Ogrzewacz musi być wyposażony w zawór bezpieczeństwa - zawór zwrotny (dostarczony z ogrzewaczem), podłączony do rury wlotowej (niebieski pierścień). Pod żadnym pozorem nie naruszać zaworu.

- Upewnić się, umożliwiając wyciek wody przez kilka chwil, że w linii nie są obecne obce substancje, jak wióry, piasek, domieszki do rur, itp. W razie dostania się do zaworu bezpieczeństwa - zaworu zwrotnego jakiegokolwiek materiału, może nastąpić nieprawidłowe działanie zaworu, a w niektórych przypadkach jego uszkodzenie.
- Upewnić się, że ciśnienie wody zasilającej jest niższe od 8 barów (0,8 MPa). Jeśli ciśnienie jest wyższe, należy zainstalować wysokiej jakości zawór redukcyjny ciśnienia. W tym przypadku zawór bezpieczeństwa będzie kapać podczas ogrzewania. Wspomniane kapanie musi się pojawić nawet wtedy, gdy przed zaworem znajduje się zawór zwrotny.
- Nie dopuszczać do sytuacji, w której woda kapiąca z zaworu będzie spadać na ogrzewacz wody. Zainstalować zawór w sposób przedstawiony na rysunku, podłączając mały lejek zbiorczy do odpływu.



WAŻNE!

Jeśli urządzenie jest zainstalowane w strefie twardej wody (> 200 mg/l), należy zainstalować urządzenie zmiękczające, aby ograniczyć osadzanie się kamienia w wymienniku ciepła.

Gwarancja nie obejmuje uszkodzeń spowodowanych przez osady.

ODPROWADZANIE

Opróżnić urządzenie, jeśli przez dłuższy okres czasu nie będzie użytkowane.

Podczas instalowania urządzenia, należy przewidzieć taką ewentualność i podłączyć kurek spustowy do złączki R.

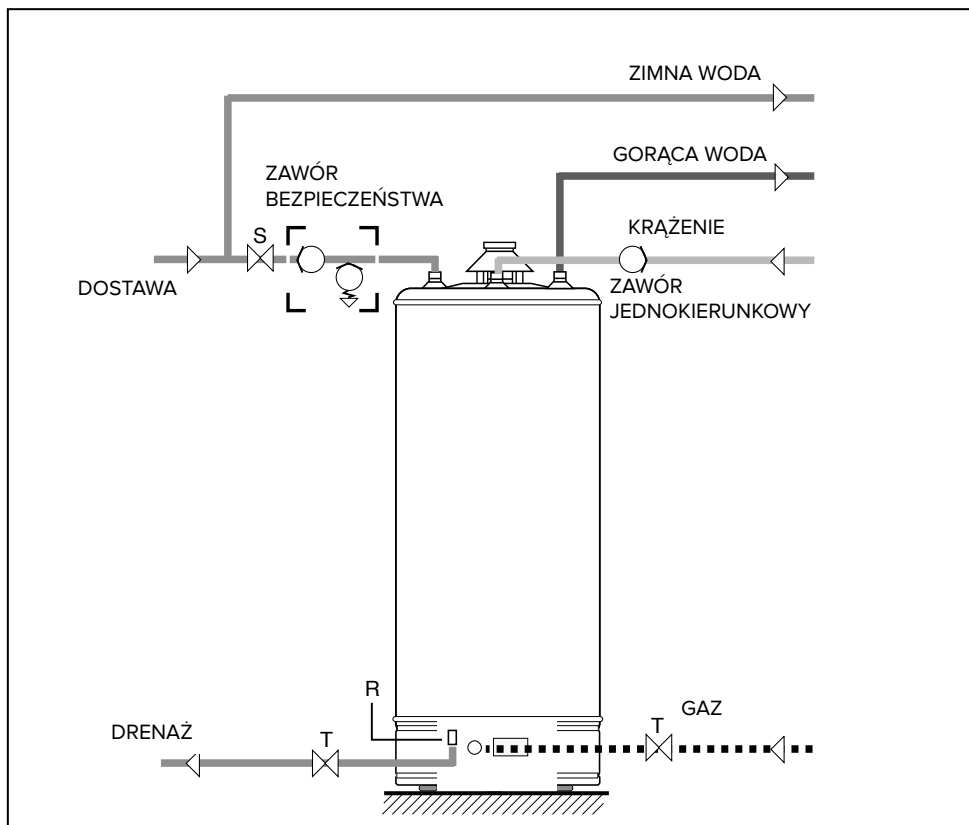
ABY OPRÓŻNIĆ OGRZEWACZ WODY, NALEŻY:

- wyłączyć palnik i zamknąć dopływ gazu
- zamknąć zawór odcinający, zainstalowany przed urządzeniem,
- otworzyć krany za ogrzewaczem,
- otworzyć kurek spustowy podłączony do złączki R.

RECYRKULACJA

Jeżeli instalacja obejmuje również obwód recykulacji wody użytkowej, można skorzystać z tej samej złączki R, użytej do odprowadzania wody.

Na schemacie poniżej przedstawiono sposób wykonania połączeń w takim przypadku.



PODŁĄCZENIE DO KOMINA

Urządzenia typu B 11bs są wersjami otwartymi, przeznaczonymi do podłączenia przewodu odprowadzającego spaliny, który odprowadza spaliny na zewnątrz; powietrze do spalania jest pobierane bezpośrednio z pomieszczenia, w którym znajduje się ogrzewacz. Spaliny są rozładowane przez system naturalnego ciągu.

Ten rodzaj urządzenia nie może być instalowany w pomieszczeniu, które nie spełnia wymogów wentylacji.

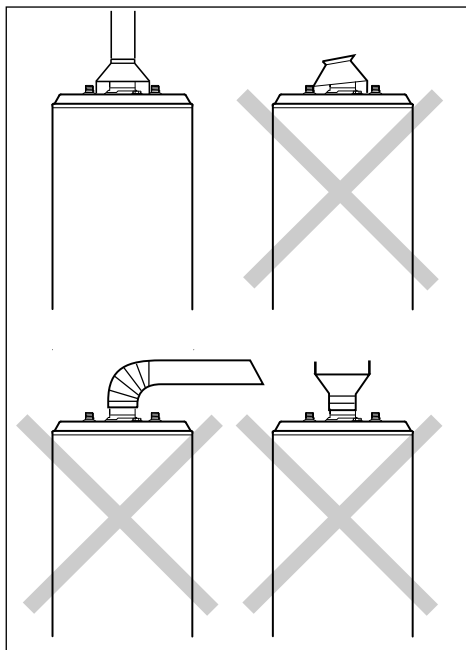
Aby nie zakłócać normalnego działania urządzenia, miejsce, w którym jest ono zainstalowane musi być odpowiednie pod względem granicznej temperatury roboczej i urządzenie musi być chronione przed bezpośrednim kontaktem z czynnikami atmosferycznymi.

Urządzenie jest przeznaczone do montażu na ścianie i musi być zamontowane na ścianie zdolnej do udźwignięcia jego masy. Podczas tworzenia komory technicznej należy pozostawić wystarczającą wolną przestrzeń wokół modułu, aby zapewnić łatwy dostęp do wnętrza.

- Gazy spalania muszą być usuwane na zewnątrz przez rurę o minimalnej średnicy 80 mm, umieszczoną w okapu urządzenia, zgodnie z ilustracjami i odpowiednimi przepisami.
- Przewód kominowy musi mieć dobry ciąg.
- Unikać poziomych, skierowanych w dół lub zwężonych odcinków rury spalin, ponieważ mogą one negatywnie wpłynąć na efektywność spalania urządzenia.

- Jeśli rura spalin biegnie przez zimną, nieogrzewaną strefę, należy ją wypoasażyć w płaszcz izolacyjny, aby nie dopuścić do powstawania kondensatu.
- Nigdy nie usuwać ani nie wymieniać okapu urządzenia, ponieważ jest on nieodłączną częścią systemu spalania ogrzewacza.
- Instalator jest odpowiedzialny za prawidłową instalację rury spalin.

Aby zapewnić prawidłową pracę ogrzewacza, okap musi być umieszczony w sposób przedstawiony na rysunku. Unikać instalacji odmiennych od przedstawionych poniżej.



DZIAŁANIE I POŁĄCZENIE ZABEZPIECZENIA GAZU

Ogrzewacze są wyposażone w urządzenie odcinające dopływ gazu do palnika i zatrzymują pracę jednostki, gdy przepływ jest częściowo lub całkowicie zatkany.

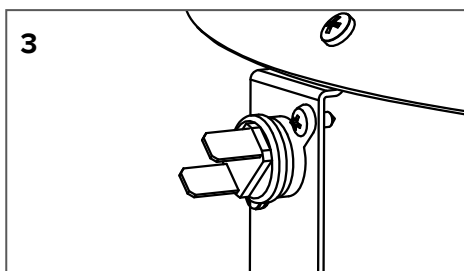
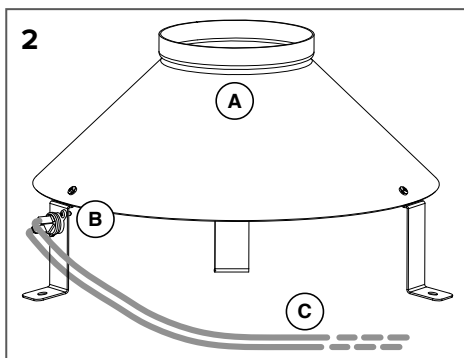
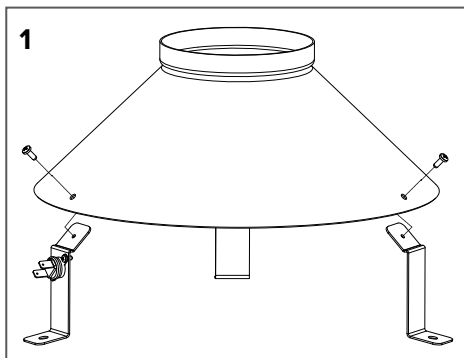
Na urządzenie składa się termostat „B” (Rys.1) uzbrajany ręcznie, ustawiony na $87^{\circ}\text{C}\pm 3$, przymocowany do krawędzi okapu spalin „A”, podłączony do przerwanego złącza zaworu gazu. Całość jest częścią zestawu okapu spalin należącego do wyposażenia urządzenia, który należy zainstalować zgodnie z instrukcjami poniżej.

- Zamocuj go na pokrywie wylotu powietrza „A” do najlepszej pozycji w odniesieniu do czujnik „B” i wyjście kabla z podgrzewacz wody.
- Podłączyć zaciski kablowe „C” do styki ochraniacza spalin (Ryc.2).
- Prowadzić z normalnym podgrzewaczem wody uruchomienie. Jeżeli blok urządzenia, należy go ponownie uruchomić w następujący sposób:
 - po następstwie poczekaj 10 minut poblok występuje;
 - Ponownie uruchom podgrzewacz wody, wykonując następujące czynności instrukcje normalnego zapłonu.

Jeśli usterka będzie się powtarzać, nie próbować dalej uruchamiać urządzenia, ale wezwać wykwalifikowanego technika, który usunie jej przyczynę.

Upewnić się, że produkty spalania są właściwie odprowadzane poprzez zmierzenie poziomu CO_2 przy nominalnej mocy cieplnej. Wartość ta nie powinna przekraczać wartości podanej w tabeli danych technicznych.

Jeśli wartość jest wyższa, należy sprawdzić wydajność układu wydechowego spalin. Jeśli nie jest możliwe doprowadzenie wartości CO_2 do wartości wskazanych w tabeli danych technicznych, nie należy uruchamiać urządzenia.



OSTRZEŻENIE!!

CZUJNIK SPALIN NIE MOŻE BYĆ MODYFIKOWANY LUB WYŁĄCZANY. DZIAŁANIE TO MOŻE SPOWODOWAĆ ZAKŁÓCENIE PRACY URZĄDZENIA.

NIEWŁAŚCIWY CIĄG MOŻE SPOWODOWAĆ COFANIE SIĘ GAZU DO POMIESZCZENIA, W KTÓRYM JEST ZAINSTALOWANE URZĄDZENIE.

NIEBEZPIECZEŃSTWO ZATRUCIA TLENKIEM WĘGLA.

PODŁĄCZENIE GAZU



OSTRZEŻENIE!

Czynności związane z instalacją, pierwszym zapłonem i konserwacją muszą być wykonane wyłącznie przez wykwalifikowany personel, zgodnie z dostarczonymi instrukcjami.

- Należy się upewnić, że główny dopływ gazu wykorzystuje taki sam rodzaj gazu, jak wskazano na tabliczce znamionowej

- Otworzyć wszystkie drzwi i okna

- Upewnić się, że w pomieszczeniu nie ma iskier ani otwartych płomieni

- Ogrzewacze wody są normalnie przystosowane do pracy przy użyciu metanu G20 (PCI) 8100 kcal/m³. Nie są wymagane regulacje, jeśli jest używany ten gaz.

Regulacje dla innych rodzajów gazu muszą być przeprowadzone wyłącznie przez wykwalifikowany personel.

- Użyć rury o wymiarze 1/2" do połączenia dopływu gazu do zaworu.

- Zaleca się umieszczenie przed urządzeniem zaworu odcinającego na linii zasilania gazem.

- Wykonać podłączenie do zasilania gazem za pomocą sztywnych rur (stalowych, miedzianych, itp.), a nie rur z tworzywa termoplastycznego lub gumy.

- Po zdjęciu pokrywy i wykonaniu połączenia, za pomocą wody z mydłem, należy sprawdzić obecność wycieków w układzie gazowym.

Do testowania nie używać płomienia.

Ogrzewacz wody jest wyposażony w anodę magnezową w zbiorniku. Żywotność anody jest proporcjonalna do średniej temperatury, składu chemicznego i ilości dostarczanej wody.

Zaleca się sprawdzenie stanu anody co 18-24 miesiące, sprawdzając gładkość jej powierzchni. Jeśli średnica jest mniejsza niż 10-12 mm, zaleca się wymianę anody na nową, oryginalną część.

Anoda jest umieszczona w dolnej części ogrzewacza, poniżej pokrywy ochronnej.

WAŻNE!

ABY DOSTOSOWAĆ OGRZEWACZ WODY DO GAZU INNEGO NIŻ WYNIKA TO Z JEGO USTAWIENÍ, NALEŻY PRZEPROWADZIĆ WYMIANĘ DYSZY.

PRZEBROJENIE NALEŻY PRZEPROWADZIĆ PRZED MONTAŻEM, ABY UNIKNĄĆ KONIECZNOŚCI ROZMONTOWYWANIA GRUPY GAZOWEJ.

INFORMACJE ZASTRZEŻONE DLA INSTALATORÓW

Instrukcja zamiany gazu z oryginalnych ustawień: z gazu ziemnego (G20) na gaz ciekły LPG (G30-G31) za pomocą zaworu gazowego Model EUROSIT.

Aby dostosować ogrzewacz wody do gazu innego niż wynika to z jego ustawień, należy wykonać czynności zilustrowane na zdjęciach poniżej.

Wymiary otworów dysz, wyrażone w setnych milimetra, podano w tabeli.

Nie umieszczać przeszkód ani innych elementów zatykających pomiędzy otworem dyszy a wylotem zwężki Venturiego.

WAŻNE!

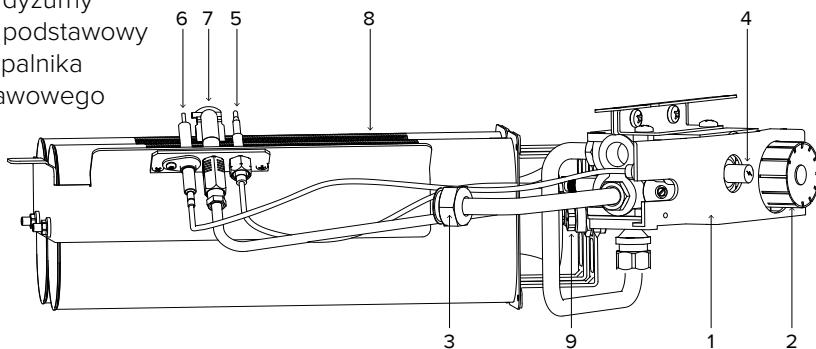
ABY DOSTOSOWAĆ OGRZEWACZ WODY DO GAZU INNEGO NIŻ WYNIKA TO Z JEGO USTAWIENI, NALEŻY PRZEPROWADZIĆ WYMIANĘ DYSZY.

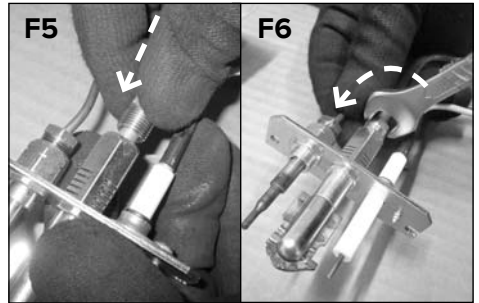
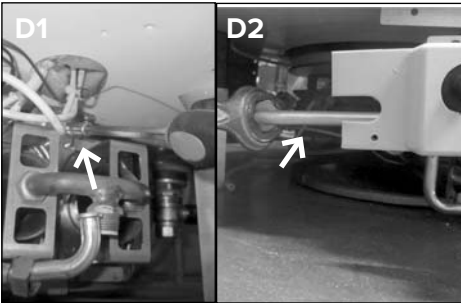
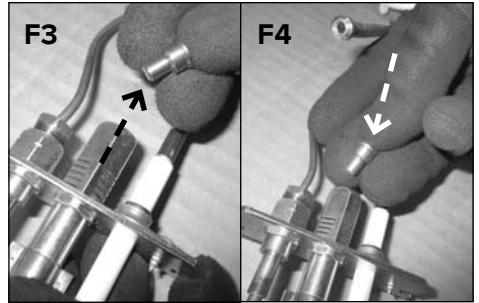
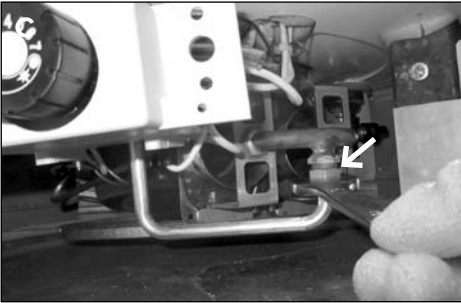
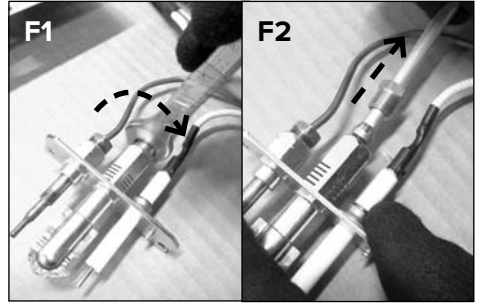
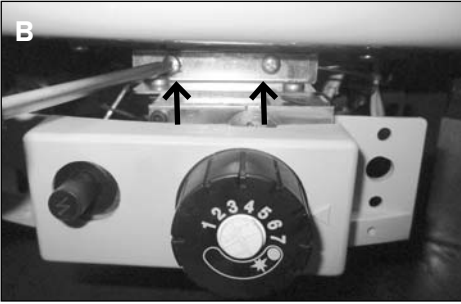
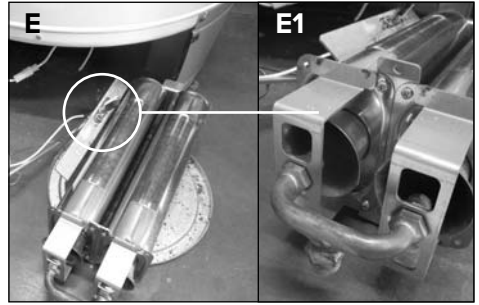
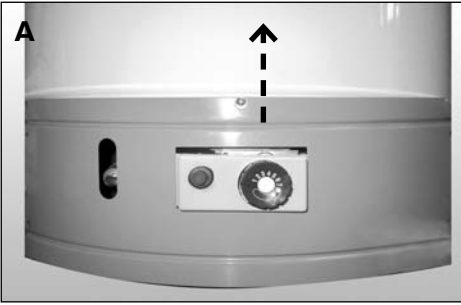
PRZEBROJENIE NALEŻY PRZEPROWADZIĆ PRZED MONTAŻEM, ABY UNIKNĄĆ KONIECZNOŚCI ROZMONTOWYWANIA GRUPY GAZOWEJ.

	GŁÓWNY PALNIK	PALNIK PILOTUJĄCY
MODELE	300	
Metan (G20)	2,4	0,27x2
Gaz (GZ27)(GZ350)	4,2	0,32x2
Gaz płynny (G30 G31)	1,55	

4

1. zawór gazu
2. pokrętło regulacji temperatury
3. przyłącze gazowe 1/2" G
4. zapalnik piezo
5. termopara
6. zapalnik piezo
7. palnik dyżurny
8. palnik podstawowy
9. dysza palnika podstawowego





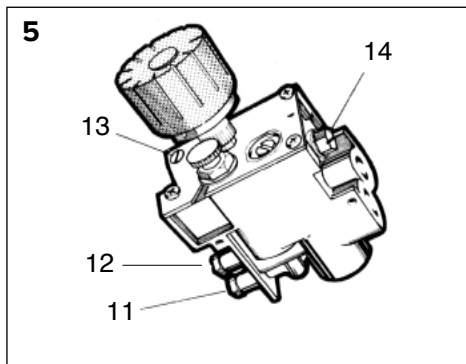


KONTROLA CIŚNIENIA PO STRONIE ZASILANIA

Ciśnienie wlotowe gazu zmierzone na złączu ciśnieniowym 11, (fig.5) przy użyciu manometru w mbarach musi wynosić.

REGULACJA PŁOMIENIA PILOTUJĄCEGO (Zawór EUROSIT)

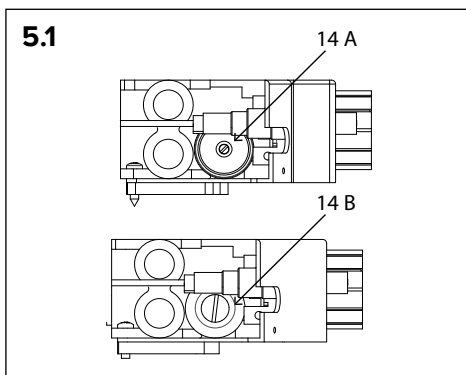
Wyregulować, działając na śrubę 12 na (rys.5). Płomień pilotujący jest wyregulowany prawidłowo, gdy jego długość wynosi w przybliżeniu 2-3 cm i dotyka on górnej części termopary.



		CIŚNIENIE WLOTOWE GAZU	CIŚNIENIE GŁÓWNEGO PALNIKA
Metan (G20)		20 mbarów	13,3 mbarów
GAZ (GZ27)		20 mbarów	4,6 mbarów
GAZ (GZ350)		13 mbarów	6,3 mbarów
LPG	Butan (G30)	28÷30 mbarów	25,7 mbarów
	Propan (G31)	37 mbarów	28,4 mbarów

UWAGA! W razie użycia gazu G30 i G31:

- **ZAWÓR GAZOWY TYP A**
całkowicie wkręcić regulator 14A rys. 5.1
- **ZAWÓR GAZOWY TYP B**
odkręcić zawór n * 14 B, rys. 5.1, o obracając w lewo na dwie rundy



SYSTEMY BEZPIECZEŃSTWA

W celu zapewnienia prawidłowego działania urządzenia zastosowano następujące urządzenia zabezpieczające:

- **Termopara kontroli płomienia**
przerzywa dopływ gazu w przypadku braku płomienia dyżurnego. Wielokrotna, nieokazjonalna interwencja tego urządzenia zabezpieczającego wskazuje na nieprawidłową obsługę urządzenia, co wymaga interwencji wykwalifikowanego personelu.
- **Termostat nadmiernej temperatury**
działa w taki sam sposób jak termopara, jeżeli temperatura wody przekroczy 90° C; w takim przypadku nie można ponownie włączyć urządzenia, dopóki gorąca woda nie zostanie odprowadzona. Przed ponownym włączeniem urządzenia usterka musi jednak zostać usunięta przez wykwalifikowany personel.

KONSERWACJA

Konserwacja jest czynnością niezbędną dla bezpiecznego i wydajnego działania urządzenia i zapewnienia jego długiej eksploatacji. Musi być przeprowadzona zgodnie z instrukcjami określonymi w bieżących przepisach.



OSTRZEŻENIE!

Przed wykonaniem jakichkolwiek prac konserwacyjnych należy zamknąć kurek dopływu gazu i kurek obrotu wody do użytku domowego.

Zaleca się wykonanie, co najmniej raz w roku, następujących kontroli ogrzewacza.

1. Sprawdzić wycieki wody.
2. Sprawdzić ewentualne wycieki gazu i w razie konieczności wymienić uszczelki.
3. Sprawdzić ogólny stan ogrzewacza i spalania.
4. Sprawdzić komorę spalania i w razie konieczności wyczyścić palnik.
5. Po sprawdzeniu 3 i 4, w razie konieczności wyjąć i wyczyścić dyszę.
6. Wyregulować dla prawidłowego przepływu gazu.
7. Sprawdzić działanie urządzeń bezpieczeństwa wody (limity temperatury i ciśnienia).

8. Sprawdzić prawidłowe działanie systemów bezpieczeństwa gazu (awarie gazu lub płomienia, zawór gazu, itp.).
9. Sprawdzić, czy w pomieszczeniu jest obecna odpowiednia wentylacja.
10. Sprawdzić, czy produkty spalania (spaliny) są prawidłowo odprowadzane.

ZAUWAŻ: podczas czyszczenia wnętrza zbiornika wody nie mogą być obecne żadne podmuchy, które mogłyby uszkodzić wewnętrzną wykładzinę.

Informacje dla użytkownika

Poinformować użytkownika, w jaki sposób obsługiwać urządzenie.

W szczególności należy dostarczyć użytkownikowi instrukcje obsługi i poinformować go, że muszą być przechowywane razem z urządzeniem.

Ponadto, upewnić się, że użytkownik jest świadomy następujących kwestii:

- Jak ustawiać temperaturę i urządzeń w celu prawidłowego i jak najbardziej oszczędnego korzystania z urządzenia.
- Układ musi być poddawany konserwacji regularnie i zgodnie z przepisami.
- Ustawienia odnoszące się do dopływu gazu i powietrza spalania nie mogą być naruszane.

TABLICZKA

 0000000 00,14312,0000000		numer seryjny	
Rok produkcji	Data produkcji (dzień roku)		

DANE TECHNICZNE

Identyfikator modelu dostawcy	SGA X... - AG LNX... - TES X...	
Model	300	
Certyfikat CE	51CT4893	
Wydajność znamionowa	I	275
Rzeczywista wydajność	I	275
Ciśnienie nominalne	bar	8
Znamionowa wydajność grzewcza	kW	16
Moc użytkowa	kW	14
Czas ogrzewania dla DHW t 45°C	min.	62
Strata ciepła przy 60° Celsjusa	W	2,86
Natężenie przepływu gorącej wody		
dostawa przy 30K	l/h	401
dostawa przy 45K	l/h	301
Erp DHW		
Deklarowany profil obciążenia	XXL	
Wydajność energetyczna ogrzewania wody η_{wh}	%	63
Klasa energetyczna ogrzewania wody	B	
Dzienne zużycie energii elektrycznej Q_{elek}	kWh	--
Dzienne zużycie paliwa Q_{paliwa}	kWh	38,89
Poziom mocy akustycznej (LWA) L_{WA}	dB	59
Emisja tlenków azotu	[mg/kWh]	31
Bieżące zużycie energii elektrycznej AEC	kWh/rok	--
Roczne zużycie paliwa AFC	GJ/rok	30,7
Mieszana woda o temp. 40°C V40	l	396
Ustawiona temperatura "out of the box"	°C	50
Ustawienia temperatury termostatu	4	
Ciśnienie wlotowe gazu		
G20 Metan	mbar	20
G30 Butan LPG	mbar	28 ÷ 30
G31 Propan GPL	mbar	37
zużycie gazu		
G20 Metan	m ³ /h	1,69
G30 Butan LPG	Kg/h	1,262
G31 Propan GPL	Kg/h	1,243
Wartości gazów spalania		
Ciąg	mbar	0,015
Natężenie przepływu spalin	g/sek.	16
Temperatura gazów spalinowych	°C	137

Lista równoważnych modeli znajduje się w Załączniku A, który jest nieodłączną częścią niniejszej instrukcji.

Produkty bez etykiety i odpowiedniej płyty do zestawów ogrzewaczy i instalacji słonecznych, przewidziane w rozporządzeniu 812/2013 nie są przeznaczone do stosowania w takich zestawach.

ÁLTALÁNOS BIZTONSÁGI ELŐÍRÁSOK

1. **Olvassa el figyelmesen a kézikönyv utasításait és figyelmeztetéseit, mivel ezek fontos információkat tartalmaznak a felszerelés, használat és karbantartás biztonságosságáról. E kézikönyv a termék elengedhetetlenül fontos, szerves része. Gondosan őrizze meg, és a berendezés átadása és/vagy áttelepítése esetén is biztosítsa, hogy e dokumentum a berendezéssel együtt maradjon!**

2. A gyártó a helytelen, ésszerűtlen és a célnak nem megfelelő használatból, illetve a kézikönyvben szereplő utasítások be nem tartásából eredő, személyeken, állatokon vagy tárgyakon esett károkért felelősséget nem vállal.

3. A készülék háztartási felhasználásra szánt víz előállítására szolgál. A berendezést teljesítményének és jellegének megfelelő használati meleg víz hálózathoz kell csatlakoztatni. A készüléknek a leírásban rögzítettől eltérő célra történő használata tilos! A gyártó a helytelen, ésszerűtlen és a célnak nem megfelelő használatból, illetve a kézikönyvben szereplő utasítások be nem tartásából eredő károkért felelősséget nem vállal.

A berendezések épületen belüli üzembe helyezésére vonatkozó rendelkezések reformjáról szóló 2008. január 22-i 37. sz. olaszországi miniszteri rendelet, és annak módosításai és kiegészítései értelmében az üzembe helyező szakember számára lehetővé kell tenni a fűtő készülékek beépítését.

Ez a készülék, a használati vízzel érintkező anyagok tekintetében, megfelel a 2004. április 6-i 174/2004 sz. olaszországi miniszteri rendelet által előírt követelményeknek.

4. A beépítést, a karbantartást, valamint bármilyen más beavatkozást a vonatkozó szabványok betartásával kell elvégezni a gyártó útmutatásainak megfelelően, a témáról szóló jogszabályok előírásai szerint (74/2013 sz. köztársasági elnöki ren-

delet és annak későbbi módosításai és kiegészítései). A készülék elromlása és/vagy hibás működése esetén kapcsolja ki a készüléket, zárja el a gázcsapot, és semmiképpen se próbálja megjavítani a készüléket, hanem bízza azt képzett szakemberrel!

Az esetleges javításokhoz kizárólag eredeti cserealkatrészeket használjon, a szerelést pedig minden esetben bízza képzett szakemberrel! A fentiek mellőzése veszélyeztetheti a készülék biztonságosságát, és a gyártó felelősségvállalásának elvesztését vonja maga után.

Amennyiben a csövekhez, füstelvezető berendezésekhez, vagy azok alkatrészéhez közeli szerkezeteken végez karbantartó, vagy egyéb munkálatokat, kapcsolja ki a készüléket, és a munkálatok befejeztével ellenőriztesse a csöveket és a berendezéseket képzett szakemberrel!

5. Ne engedje, hogy a gyermekek hozzáférjenek a csomagolóanyagokhoz (tűzőkapcsok, műanyag zacskók, polisztírol habok, stb.), mivel ezek potenciális veszélyforrások!

6. Ezt a berendezést nem használhatják 8 évesnél fiatalabb gyerekek és csökkent fizikai, értelmi vagy mentális képességekkel rendelkező személyek vagy olyan személyek, akik nem rendelkeznek megfelelő ismeretekkel illetve gyakorlattal, amennyiben nincsenek felügyelet alatt vagy nem tájékoztatták őket a berendezés biztonságos használatáról és a berendezés kezeléséből fakadó veszélyekről.

Ne engedje, hogy gyermekek játsszanak a berendezéssel. A felhasználó által végzendő tisztítást és karbantartást felügyelet nélküli gyerekek nem végezhetik el.

7. A készülék vízbevezető csövére nemzeti szabályozásoknak megfelelő biztonsági szelepet kell csavarni. Az EN 1487 európai szabványt elfogadó országokban a készülék biztonsági alkatrész csoportjának a

- maximális nyomása 0,7 MPa lehet, és van legalább egy: elzáró szelepe, visszacsapó szelepe, biztonsági szelepe, és víznyomás lezáró eszköze.
8. A túlnyomás ellen védő készüléken (szelep vagy biztonsági alkatrész csoport) ne hajtson végre önkényes átalakításokat, működtesse rendszeresen, hogy kiderüljön, nincs-e eldugulva, és hogy eltávozzon az esetleges vízkő-lerakódás.
 9. A felfűtési fázis ideje alatt a túlnyomás ellen védő készülék ereszthet. Ez normális. Ezért a kimenetet, amelynek mindig szabad térbe kell nyílnia, olyan elvezető csőbe kell csatlakoztatni, amely egy fagyásmentes terület felé lejt.
 10. A készülékből mindenképpen eressze le a vizet, és csatlakoztassa le az elektromos hálózatról, ha azt egy fagyveszélynek kitett helyiségben használaton kívül helyezi.
 11. A meleg víz, amelynek hőmérséklete a felhasználó csapnál meghaladja az 50 °C-t, azonnali súlyos égési sérüléseket okozhat. A gyermekek, a rokkantak és az idősek az égési sérülés veszélyének fokozottan ki vannak téve. Javasoljuk, hogy csatlakoztasson egy termosztatikus keverőszelepet a készülék vízkivezető csövéhez, amelyet piros gallér jelöl.
 12. A berendezéssel érintkezve vagy a berendezés közelében gyúlékony tárgyat tárolni tilos!
 13. Ne tartózkodjon a készülék alatt, és ne helyezzen alá olyan tárgyakat, amelyekben egy esetleges vízvívárgás kárt okozhat.
 14. A készülék tisztításához ne használjon erős rovarirtó-, oldó- és tisztítószereket, mert a műanyag és zománcozott alkatrészek károsodhatnak.
 15. Égett szag és a készülék belsejéből áramló füst esetén kapcsolja ki a készüléket, zárja el a fő gázcsapot, nyissa ki az ablakokat, és értesítse a szerviz szolgálatot! Személyi égési sérülés, füst belégzés és mérgezés veszélye!

16. A készülék hatékonysága és helyes működése érdekében végeztesen éves karbantartást és a hatályos helyi törvények által előírt időközönként füstgáz-elemzést. A műszaki személyzetnek képzettnnek kell lennie, és ahogy a törvény előírja, gondoskodnia kell a kézikönyv elkészítéséről.

FONTOS!

A KÉSZÜLÉK MÁS GÁZFAJTÁRA VALÓ BESZABÁLYOZÁSÁHOZ CSERÉLJE KI A FŰVŐKÁKAT.

A FŰVŐKÁK CSERÉJÉT BESZERELÉS ELŐTT HAJTSA VÉGRE, HOGY EZZEL ELKERÜLJE A GÁZALKATRÉSZ CSOPORT LESZERELÉSÉT.

KEZELÉSI UTASÍTÁSOK A FELHASZNÁLÓ SZÁMÁRA

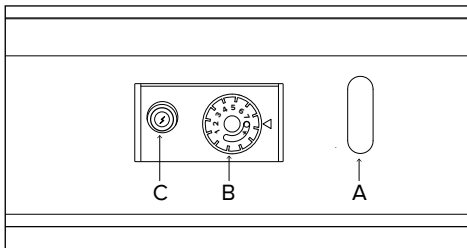


FIGYELEM!

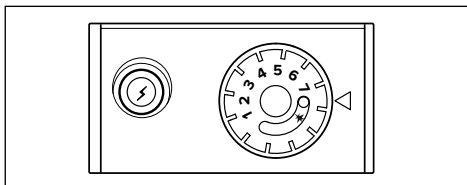
Az előírásoknak megfelelően történő beszerelést, első beüzemelést, karbantartás során történő beszabályozást kizárólag képzett szakember végezheti el.

A készülék helytelen beépítése károkat eredményezhet személyekben, állatokban vagy tárgyakban, melyekért a gyártó felelősséget nem vállal. Amennyiben a készüléket lakásban szereli be, ellenőrizze, hogy a helyiség levegőellátására és szellőzésére vonatkozó előírások teljesülnek-e (a hatályos törvényeknek megfelelően).

BEKAPCSOLÁSI MŰVELETEK



Csavarja a B gombot (kikapcsolt) állásból (őrláng) állásba.



Nyomja be teljesen a B gombot, tartsa nyomva, és közben nyomja be a C piezo elektromos gyújtót.

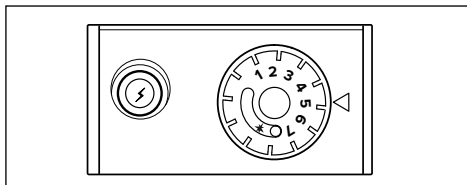
Ellenőrizze az A nyíláson át, hogy meggyulladt-e az égő lángja. Ha ellenőrizte a lángot, tartsa nyomva a B gombot körülbelül 20 másodpercig.

Ha az őrláng kialakzik, ismétlje meg az előbbi műveletet.

A VÍZ HŐMÉRSÉKLETÉNEK BEÁLLÍTÁSA

A B gombbal lehet szabályozni a víz hőmérsékletét.

Csavarja a gombot a őrlángállásból a kívánt hőfokot ábrázoló 1-től (kb. 42° C) 7 (kb. 70° C) jelig.



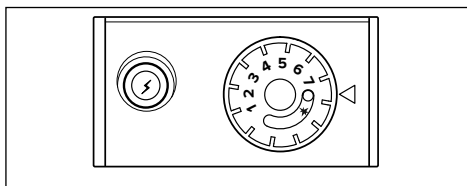
A gázzal való takarékoskodás és a készülék jobb teljesítménye érdekében javasolt a gombot az 5 állásban hagyni (kb. 60°C). A vízmelegítőben ezen a hőmérsékleten és különösen kemény víz mellett (magasabb mésztartalmú víz esetén) a vízköleródások mértéke is csökken.

FIGYELEM!

50°C feletti hőmérsékletű víz súlyos égési sérüléseket okoz. Minden használat előtt ellenőrizze a víz hőmérsékletét!

KIKAPCSOLÁSI MŰVELETEK

A készülék kikapcsolásához csavarja a B gombot (kikapcsolt) állásba.



KEZELÉSI UTASÍTÁSOK A FELHASZNÁLÓ SZÁMÁRA

HASZNÁLATI TANÁCSOK

Figyeljen arra, hogy a készülék melegvíz-csapjainak tömitése tökéletes legyen, mert minden csepp elszivárgó víz is gázfogyasztással és a víz hőmérsékletének lehetséges emelkedésével jár.

A készülékből mindenképpen eressze le a vizet, ha azt egy fagyveszélynek kitett helyiségben használaton kívül helyezi.

A vízmelegítő leeresztése:

- a) zárja el az égőt és a gázcsapot;
- b) zárja el a készülék hidegvíz-csapját;
- c) szerelje le a hidegvíz-csővet és a biztonsági szelepet;
- d) kössön a készülék víz bemenő csövéhez (kék gyűrű) egy rugalmas, a lefolyóig elérő csövet;
- e) nyissa ki a melegvíz-csapot.

Figyelem!

A leeresztés során a készülékből kifolyó víz forró lehet.

A külső részek tisztításához kapcsolja ki a készüléket. A tisztításhoz használjon szappanos vízben áztatott rongyot!

A készülék tisztításához ne használjon erős tisztítószereket, rovarölőket, illetve toxikus anyagokat! Az érvényben lévő előírások tiszteletben tartása biztonságos, környezetbarát és energiatakarékos működést biztosít.

MEGJEGYZÉS: A művelet során vigyázzon a vízmelegítő belsejére, a belső védőburkolatnak nem szabad károsodnia.

JAVASLATOK A LEGIONELLA ELSZAPORODÁSÁNAK MEGELŐZÉSÉRE

A Legionella egy pálcika alakú, minden forrásvízben természetesen előforduló baktérium.

A „legionárius betegség” a tüdőgyulladás egy fajtája, melyet a baktériumot tartalmazó víz gőzének a belégzése okoz. Ennek megfelelően el kell kerülni, hogy a készülékben lévő víz hosszú ideig pangjon, ezért a készüléket legalább heti rendszerességgel kellene használni vagy leereszteni.

A CEN/TR 16355 európai szabvány útmutatásokat ad arra vonatkozóan, hogy hogyan előzzük meg a Legionella elszaporodását ivóvízben. Amennyiben helyi szabványok további előírásokat tartalmaznak a Legionellával kapcsolatban, azokat is alkalmazni kell.

Ez a tárolós vízmelegítő egy termosztáttal kerül értékesítésre, melynek üzemi hőmérséklete 60°C-nál magasabb, és így lehetővé teszi egy megfelelő termikus fertőtlenítési ciklus elvégzését a Legionella baktérium tartályban való szaporodásának korlátozása érdekében.


A víz hosszú ideig való pangásának elkerülése érdekében a vizet használni kell hente legalább egyszer, vagy bőségesen le kell ereszteni.


FIGYELEM!

50°C feletti hőmérsékletű víz súlyos égési sérüléseket okoz. Minden használat előtt ellenőrizze a víz hőmérsékletét!

BIZTONSÁGI ELŐÍRÁSOK AZ ÜZEMBE HELYEZŐ SZÁMÁRA


Jelmagyarázat:

 A figyelmeztetések figyelmen kívül hagyása személyi sérülést eredményezhet, amely akár halálos kimenetelű is lehet.


 A figyelmeztetések figyelmen kívül hagyása komoly károkat eredményezhet a tárgyakban, növényekben és átlatokban.

A gyártó a helytelen és a célnak nem megfelelő használatból, illetve a kézikönyvben szereplő utasítások be nem tartásából eredő károkért felelősséget nem vállal.


A készüléket szerelje erős, rezgésmentes falra!

 Zajkibocsátás működés közben.


A falfelület fúrása közben ügyeljen arra, hogy ne tegyen kárt a falban lévő elektromos vezetékekben és csövekben!


 Feszültség alatt lévő vezetékek érintésekor áramütés veszélye áll fenn.

A fűtési rendszer megrongálódhat.

 A megrongált vízvezetékekből kifolyó víz eláraszthatja a helyiséget.


Bizonyosodjon meg róla, hogy a készülék felszerelésére kijelölt hely és azok a berendezések, amelyekhez csatlakoztatni kell, megfelelnek az előírásoknak!


 Helytelenül beszerelt feszültség alatt lévő vezetékek érintésekor áramütés veszélye áll fenn.

 A nem megfelelő körülmények között működtetett készülék károsodhat.


Megfelelő szerszámokat és kézi eszközöket használjon (különösen ügyelve arra, hogy sértetlen állapotban legyenek, illetve, hogy

markolatuk ép legyen és jól legyen rögzítve)! A szerszámokat és kézi eszközöket használja rendeltetésüknek megfelelően, és ügyeljen arra, hogy ne eshessenek le a magasból! Használat után tegye őket a helyükre!


 Lepattant szilánkok és töredékek által elszenvedett személyi sérülések, por belégzése, ütések elszenvedése, vágott- és szúrt sebek és horzsolások szerzése.

 A készüléket, valamint a környezetében lévő tárgyakat a szétrepülő szilánkok károsíthatják, megüthetik, megkarcolhatják.

Bizonyosodjon meg arról, hogy a hordozható létra stabilan áll, megfelelő a teherbírása, a létra fokai nem csúsznak és teljesen ép az állapotuk! Ne helyezze át a létrát úgy, hogy valaki áll rajta, és csak felügyelet mellett használja!

 Ellenkező esetben leeshet a magasból, illetve kétoldalas létra esetén a létra összecukódhat, ami személyi sérüléseket eredményezhet.

Bizonyosodjon meg arról, hogy a féloldalas létra stabilan áll, megfelelő a teherbírása, a létra fokai nem csúsznak és teljesen ép az állapotuk, a létrafokok mentén van kapaszkodó, a legfelső fokon pedig védőkorlát!

 Ellenkező esetben leeshet a magasból, ami személyi sérüléseket eredményezhet.

Magasban végzett tevékenységek esetén (általában 2 méter feletti magasságban) bizonyosodjon meg arról, hogy a munkavégzés helye az esetleges leesések megelőzése érdekében védőkorlattal, vagy

biztosító kötelekkel el van látva, az esés útjában nincs semmilyen veszélyes akadály, és az esetleges becsapódás helyén az ütközés tompítására félig merev vagy deformálható anyag van lehelyezve.



Ellenkező esetben leeshet a magasból, ami személyi sérüléseket eredményezhet.

Ügyeljen arra, hogy a munkavégzés egészségügyi körülményei megfelelőek legyenek, mind a megvilágítás, a szellőzés és a szilárdság szempontjából is!



Személyi sérülések ütközésből, elbotlásból, stb.

Megfelelő anyaggal védje a készüléket és a környezetét!



A készüléket, valamint a környezetében lévő tárgyakat a szétrepülő szilánkok károsíthatják, megüthetik, megkarcolhatják.

A készülék mozgatását a megfelelő védőfelszereléssel és kellő óvatossággal végezze!



A készülék, valamint a környezetében lévő tárgyak megütődhetnek, megkarcolódhatnak, összenyomódhatnak.

A beavatkozások során viseljen megfelelő védőruhát és használjon megfelelő védőfelszerelést! A telepített berendezéshez mezítláb és/vagy nedves testrészrel hozzáérni tilos!



Áramütés, lepattant szilánkok és töredékek által elszenvedett személyi sérülések, por belégzése, ütések elszenvedése, vágott- és szúrt sebek és horzsolások szerzése, zaj, rezgés.

Az anyagokat és felszereléseket úgy rendezze el, hogy mozgatásuk biztonságosan végrehajtható legyen! Kerülje a halmokba rendezést, melyek eldőlhethetnek, illetve leomolhatnak!



A készülék, valamint a környezetében lévő tárgyak megütődhetnek, megkarcolódhatnak, összenyomódhatnak.

A vízmelegítő belsejében végzett beavatkozásokat fokozott figyelemmel végezze, hogy a készülékben található hegyes részekkel ne-hogy váratlanul megsértse magát!



Vágott- és szúrt sebek, valamint horzsolások elszenvedése.

A vízmelegítő újbóli üzembe helyezése előtt a beavatkozás által érintett biztonsági és ellenőrzési funkciókat mindig állítsa vissza eredeti állapotukba, és ellenőrizze azok működését.



Az irányíthatatlanná váló készülék megrongálódhat, vagy letilthat.

A készülék meleg vizet tartalmazható elemein történő beavatkozás előtt, a megfelelő szelep segítségével eressze le belőlük a vizet.



Személyi égési sérülés elszenvedése.

A használt készülék alkatrészeinek vízkömentesítését a termék biztonsági előírásoknak megfelelően végezze jól szellőztetett környezetben, megfelelő védőruházatban, ügyelve arra, nehogy a különböző termékek összekeveredjenek, és a készülék, illetve a környezetében lévő tárgyak ne-hogy kárt szenvedjenek!



A bőrre, vagy szembe került savas vegyszerek, valamint a belélegzett, vagy lenyelt káros kémiai összetevők személyi sérülést okozhatnak.



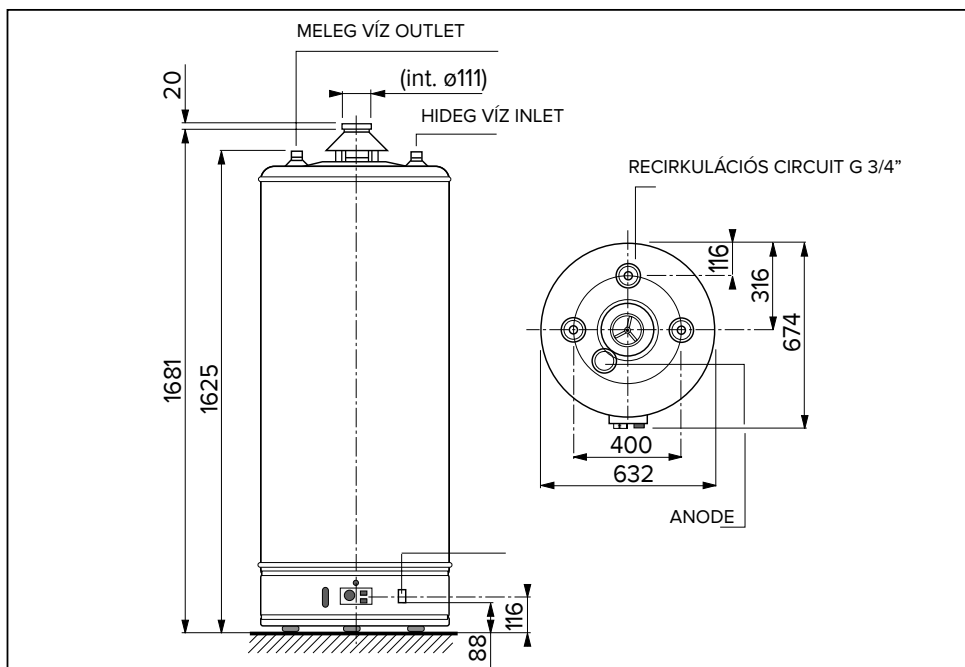
A savas vegyszerek tönkre tehetik a készüléket, illetve a környezetében lévő tárgyakat.

MŰSZAKI JELLEMZŐK

A készülék felépítése:

- hosszú élettartamot biztosító, belülről üveges zománcreteggel védett, a korrózió ellen védőanóddal ellátott tartály;
- zománcozott külső lemezburkolat;
- hővesztéséget csökkentő, CFC-mentes nagy sűrűségű poliuretánhab szigetelés;
- huzatmegszakító a füstgáz visszaáramlásának megakadályozására;
- gázszelep:
többállású állítható termosztát,
termoelemes biztonsági rendszer,
felsőhőmérséklet-határoló, amely rendellenes működés esetén megszakítja a gázellátást;
- csendes rozsdamentes acél csőégő minden gáztípushoz;
- piezo elektromos gyújtás;
- füstgáz visszaáramlását megakadályozó biztonsági készülék.

BEFOGLALÓ MÉRETEK



MODEL	Úrtartalom (liter)	FŰTÉSI IDŐ		hőterhelés kW	Hasznos teljesítmény kW
		t 25°C	t 45°C		
300	275	40 min	65 min	16	14

KATEGÓRIA II Típus B11 BS _{2H3+}	Földgázzal (metánnal) való működésre szabályozott készülékekhez, melyek alkalmasak cseppfolyós gázos működésre is.
--	--



FIGYELEM!

A készüléket szerelje erős, rezgésmentes tartó felületre! Bizonyosodjon meg róla, hogy a készülék felszerelésére kijelölt hely és azok a berendezések, amelyekhez csatlakoztatni kell, megfelelnek az előírásoknak!

ELHELYEZÉS

A készüléket helyezze el a helyes elhelyezés elvei szerint!

A készüléket helyezze úgy az előre kiválasztott fal mellé, hogy a bevezető és a kivezető cső párhuzamosak legyenek a fallal.

A vízmelegítő sarokba történő beszerelése esetén tartsa meg a beszereléshez és a szétszereléshez szükséges távolságot a fal és a készülék között.

A beépítés helye

A beépítés helyének kiválasztásakor tartsa be a hatályos szabályok előírásait! A készüléket teljesen függőleges helyzetben kell beépíteni. A készüléket nem szabad hőforráshoz közel beépíteni.

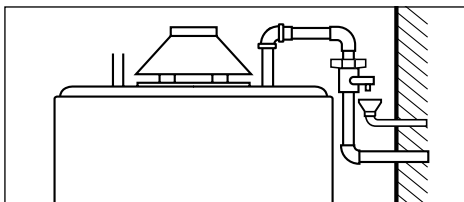
Ne építse be a készüléket olyan környezetben, ahol a hőmérséklet elérheti a 0°C-ot!

VÍZBEKÖTÉS

- A készüléket 3/4" G méretű csatlakozó csővel kell csatlakoztatni a vízellátó hálózathoz.
A hideg víz bemenetet kék, a meleg víz kimenetet piros gyűrű jelzi.
- A készüléket el kell látni a hideg víz bevezető csövön (kék gyűrű) biztonsági szeleppel/visszacsapó szeleppel. A szelepet semmilyen esetben se állítsa át!
- Öblítse át a vízvezetékrendszert, hogy meggyőződhessen arról, nincs-e a

bemeneti csőben fémforgács, homok, kenderkóc vagy egyéb szennyeződés. Ha ilyen anyagok kerülnének a biztonsági-visszacsapó szelepbe, zavarhatják annak működését, esetenként tönkretelhetik.

- Győződjön meg arról, hogy a vízellátó berendezés nyomása ne haladja meg a 8 bart (0,8 MPa)! Magasabb nyomás esetén építsen be jó minőségű nyomáscsökkentőt. Ebben az esetben a felfűtési idő alatt a szelep csöpögése szükségszerű. Csöpögés tapasztalható akkor is, ha a szelepre egyirányú elzárószelepet szereltek.
- A szelepből nem csöpöghet víz a vízmelegítőre!
Ennek érdekében a szelep alá helyezzen egy elvezető csőhöz szerelt kis tölcserőt (csepegtetőt), ahogy az ábra mutatja.



FONTOS!

Ha a készüléket olyan helyen szerelik be, ahol kemény víz van (>200 mg/l), vízlágyítót kell beszerelni annak érdekében, hogy a hőcserélőben ne rakódjon le nagy mennyiségű vízkő.

A vízkő okozta károk javítása nem garanciális tevékenység.

ELVEZETÉS

Eressze le a készüléket, ha az sokáig használaton kívül áll.

Beszerezéskor gondoljon erre az eshetőségre, és szereljen egy leeresztőcsapot az R csatlakozóra.

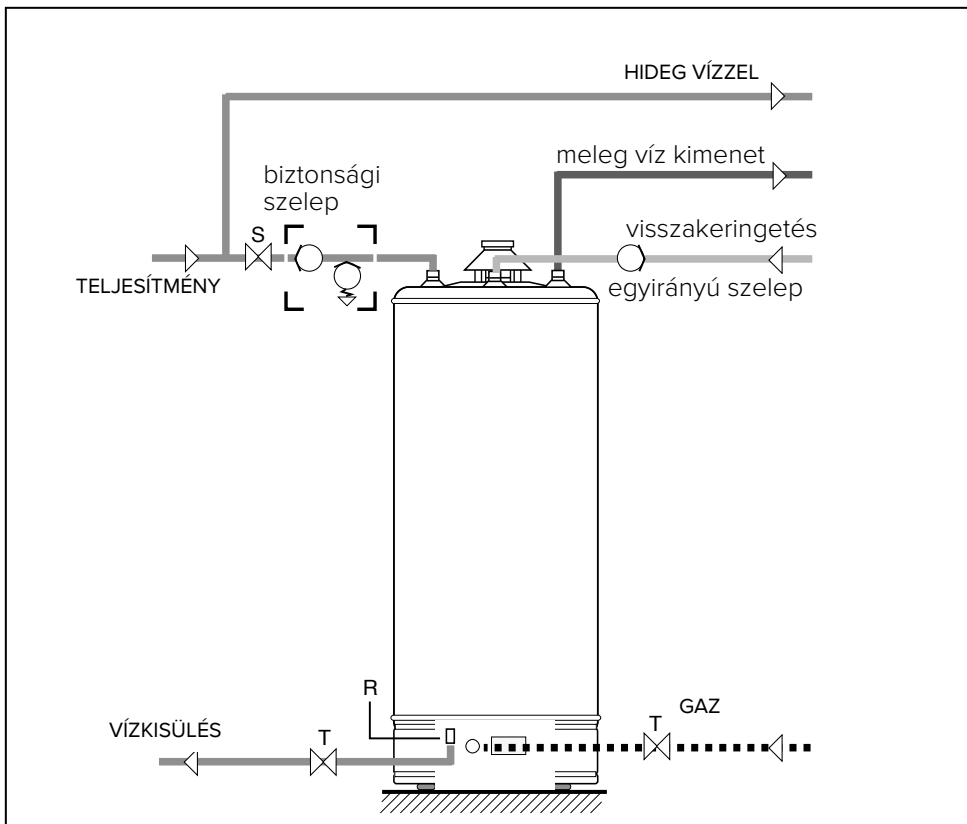
A VÍZMELEGÍTŐ LEERESZTÉSE:

- zárja el az égőt és a gázcsapot
- zárja el a készülék elzáró szelepét,
- nyissa ki a felhasználó csapokat a vízmelegítő alján,
- nyissa ki az R csatlakozóra szerelt leeresztőcsapot.

VISSZAKERINGETÉS

Amennyiben a berendezés rendelkezik használati víz visszakeringetési körrel, használhatja a leeresztéshez is használt R csatlakozót.

A lent ábrázolt áramlási kör bemutatja, hogy ebben az esetben hogyan végezze el a bekötést.



KÉMÉNYBEKÖTÉS

A B 11bs típusú készülékek nyílt kamrás készülékek, melyeket egy égéstermék-eket a kültérbe elvezető csőhöz kell kötni; a készülék közvetlenül a beszerelési helyéről nyeri az égést tápláló levegőt. A füstöt természetes huzat szállítja el.

Ezt a típusú készüléket nem lehet olyan helyiségbe beszerezni, ami nem felel meg a vonatkozó, hatályos jogszabályok szellőzési előírásainak.

A készülék szabályos működése veszélyeztetésének elkerülése érdekében a beépítési hely hőmérsékletének a készülék üzemi hőmérsékletének határértékein belül kell lennie, és a helyiségnek oly módon zártnak kell lennie, hogy a készülék ne legyen közvetlenül kitéve az időjárási körülményeknek.

A kazán falra való felszerelésre lett tervezve, és csak megfelelő teherbírású falra szerelhető föl. A készülék külön térben történő felállítása eseténa belső alkatrészekhez való könnyű hozzáférés érdekében tartsa be a szükséges távolságokat.

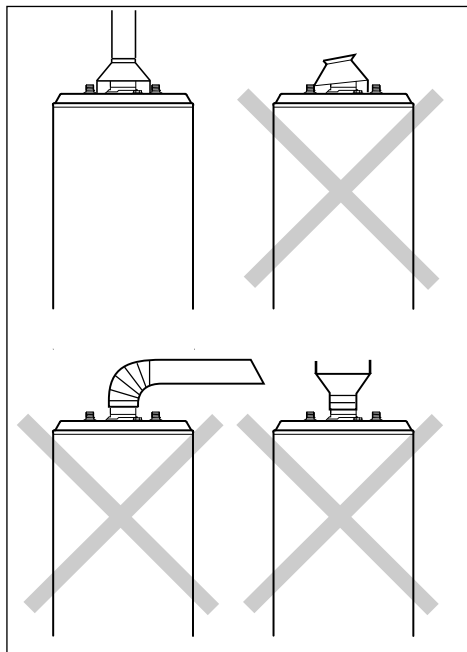
- A füstgázokat egy minimum 80 átmérőjű csővel kell a kültérbe vezetni, amelyet a szabványok (leginkább UNI-CIG 7129 és 7131) utasításainak és alternatív javaslatainak megfelelően kell a készülék huzatmegszakítójára szerelni.
- Fontos a kémény jó szellőzése.
- A füstelvezető csőnél kerülje a hosszú egyenes szakaszokat, a cső dőlését és a szűkületeket, mert tökéletlen égést eredményezhetnek.
- Ha a füstcsövet hideg, fűtetlen helyiségen vezetjük keresztül, gondoskodjunk a hőszigetelésről a kondenzáció elkerülése érdekében.

- A huzatmegszakítót semmilyen esetben ne távolítsa el, ne alakítsa át és ne cserélje ki, mert az szerves részét képezi a gázüzemű vízmelegítő égéstermék elvezető rendszerének.
- A füstcső helyes beszerelése kizárólag az üzembe helyező felelőssége.

FONTOS!

A gázüzemű vízmelegítők megfelelő működése érdekében az ábrának megfelelően kell felhelyezni a huzatmegszakítót.

A lenti példaktól eltérő bármilyen felszerelési mód tilos!



A HUZATMEGSZAKÍTÓ FELSZERELÉSE ÉS A FÜSTÉRZÉKELŐ BEKÖTÉSE

A vízmelegítők olyan szerkezettel vannak ellátva, amelynek feladata az égő gázellátásának leállítása, tehát a készülék működésének leállítása, ha a füstgázcső részlegesen vagy teljesen eldugul.

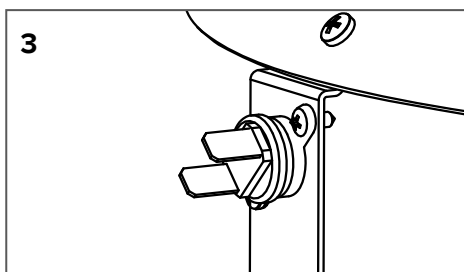
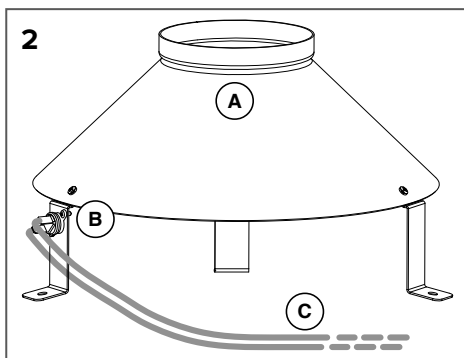
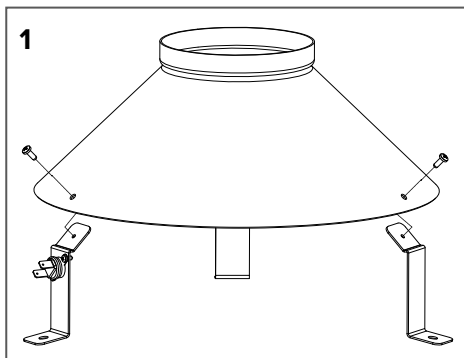
Ez a szerkezet egy $87^{\circ}\text{C}\pm 3$ -ra állított, a huzatmegszakítóra „B” (1. ábra) szerelt, kézi újraindító gombbal ellátott termosztátból „A” áll, amely a gázszelepphez van csatlakoztatva. Mindez a készülék tartozékeként adott huzatmegszakító-készlet része, amelyet a következőkben leírt módon kell beszerelni.

- Az „A” égéstermék elhelyezését állítsa be a legjobb pozícióhoz képest a „B” érzékelő és a kábel kimenete a vízmelegítő.
- Csatlakoztassa a „C” kábelcsatlakozókat a füstgázvédő érintkezői (2. ábra).
- Folytassa a normál vízmelegítővel üzembe helyezés.
- Ha a készülék blokkolja, a következőképpen kell újraindítani:
 - következő várakozás 10 perc után blokk történik;
 - Indítsa el a vízmelegítőt az alábbiak szerint a normál gyújtás utasításait.

Ha a hiba megismétlődne, ne próbálja még egyszer újraindítani a készüléket, hanem kérjen segítséget képzett szakembertől, hogy a hiba okát kijavíthassa.

Ellenőrizze az égéstermékek megfelelő ürítését a névleges hőteljesítménynél a CO_2 -tartalom mérésével. Ez az érték nem lehet a Műszaki Adatok táblázatban megadott értéknél magasabb.

Ha az érték mégis magasabb lenne, ellenőrizze a füstgázvezető rendszer hatékonyságát. Abban az esetben, ha nem lehetséges a CO_2 -értéket a Műszaki Adatok táblázatban megadott érték alá visszavinni, ne kapcsolja be a készüléket.



FIGYELEM!

A KÉSZÜLÉK HELYES MŰKÖDÉSE ÉRDEKÉBEN SOHA NE ÁLLÍTSA ÁT, VAGY HELYEZZE ÜZEMEN KÍVÜL A FÜSTÉRZÉKELŐT.

ESETLEGES ROSSZ SZELLŐZÉS ESETÉN A GÁZ VISSZAÁRAMOLHAT A KÉSZÜLÉK HELYISÉGÉBE.

SZÉN-MONOXID-MÉRGEZÉS VESZÉLYE.

GÁZBEKÖTÉS



FIGYELEM!

Az előírásoknak megfelelően történő beszerelést, első beüzemelést, karbantartás során történő besabályozást kizárólag képzett szakember végezheti el.

- Ellenőrizze, hogy a szolgáltatott gáz típusa megegyezik-e a készülék adat-tábláján feltüntetett adatokkal.
- Nyissa ki az ajtókat és az ablakokat.
- Szikrák keltése és nyílt láng használata tilos!
- A készülékeket szokás szerint 8100 kcal/m³ fűtőértékű metán G20 (PCI) gázzal való működésre szabályozzák be. Ezért ha a készülék ezzel a gázzal működik, nem kell beállítani. Másféle gázzal való működés esetén a besabályozást szakképzett szakembernek kell elvégeznie.
- A szelephez való gázbekötéshez használjon 1/2" G méretű csövet.
- A gázrendszer elé gázelzáró csap beszerelése javasolt.
- A gázhálózatra merev (acél, réz, stb.), és nem termoplasztikus és/vagy gumi tömlővel kell csatlakoztatni a készüléket.
- Miután levette a sapkát, és rákötötte a készüléket a gázhálózatra, szappanos oldattal ellenőrizze, hogy nem szivárog-e a gáz. Az ellenőrzést ne lángpróbával végezze!

A vízmelegítőt a magnézium anóddal látták el, melyet a kazánba szereltek. Az anód élettartama arányban áll a víz átlag-hőmérsékletével, a víz kémiai összetételével és a vízvételek számával.

Mindemellett javasolt az anódot 18-24 havonta ellenőrizni, ügyelni homogén, sima felületére. Ha az átmérője 10-12 mm alá csökken, tanácsos új, eredeti anódra lecserélni.

Megjegyzés: Az anód a készülék alsó részén található, a védőborítás alatt.

FONTOS!

A KÉSZÜLÉK MÁS GÁZFAJTÁRA VALÓ BESZABÁLYOZÁSÁHOZ CSERÉLJE KI A FÚVÓKÁKAT.

A FÚVÓKÁK CSERÉJÉT BESZERELÉS ELŐTT HAJTSA VÉGRE, HOGY EZZEL ELKERÜLJE A GÁZALKATRÉSZ CSOPORT LESZERELÉSÉT.

UTASÍTÁSOK AZ ÜZEMBE HELYEZŐ SZÁMÁRA

Utasítások a gyári beállítástól eltérő gázfajtára való beszabályozásra. Földgázzról (G20) cseppfolyós gázra (G30-G31), EUROSIT gázszeleppel

A készülék más gázfajtára történő beszabályozásához kövesse az ábrákon található műveleteket.

A fűvőkák nyílásméretét század milliméterben megadva a táblázat tartalmazza.

A fűvőka nyílása és a „Venturi” cső szája között semmivel ne akadályozza a gáz útját!

FONTOS!

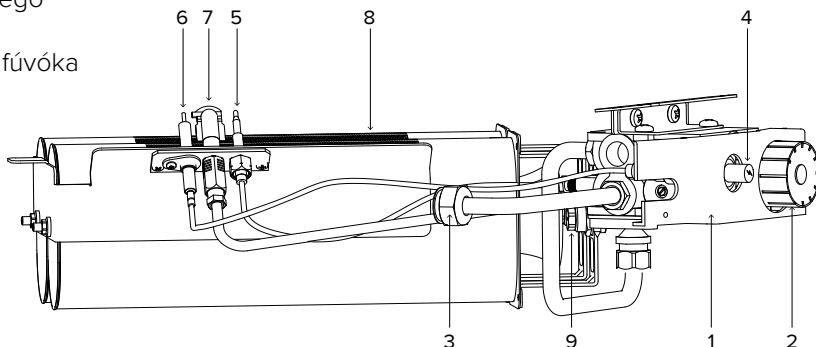
A KÉSZÜLÉK MÁS GÁZFAJTÁRA VALÓ BESZABÁLYOZÁSÁHOZ CSERÉLJE KI A FŰVŐKÁKAT.

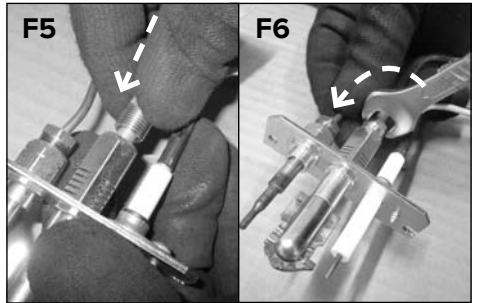
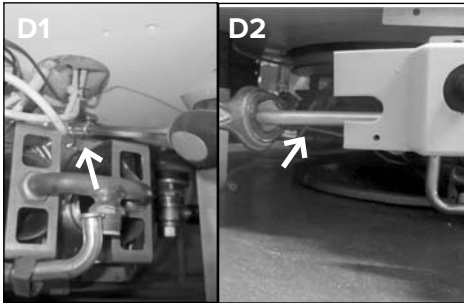
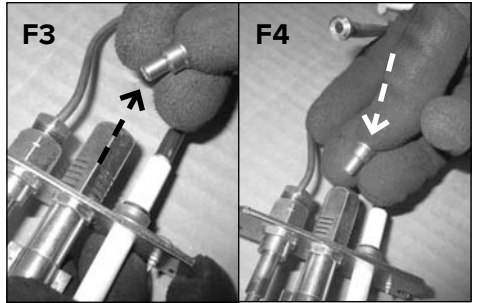
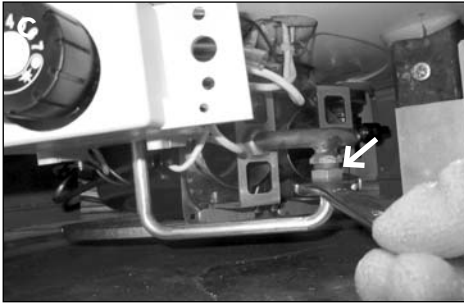
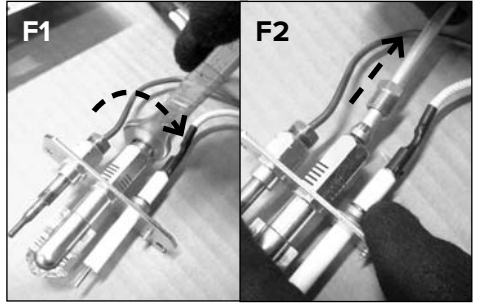
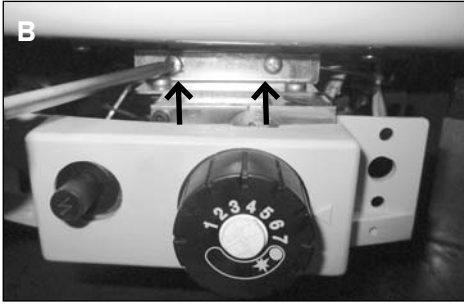
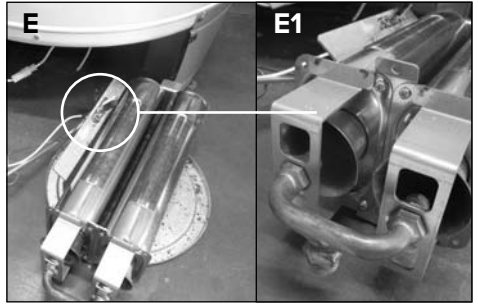
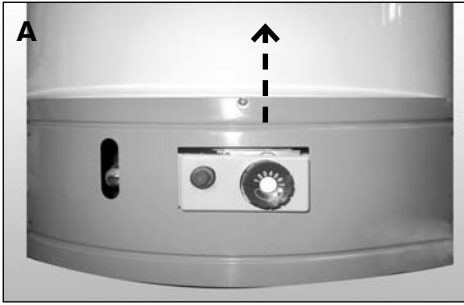
A FŰVŐKÁK CSERÉJÉT BESZERELÉS ELŐTT HAJTSA VÉGRE, HOGY EZZEL ELKERÜLJE A GÁZALKATRÉSZ CSOPORT LESZERELÉSÉT.

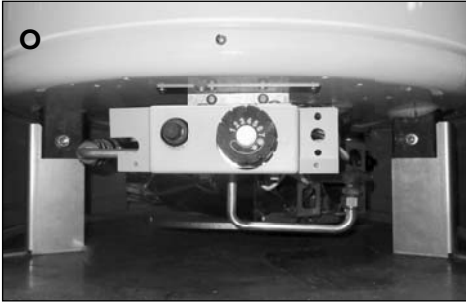
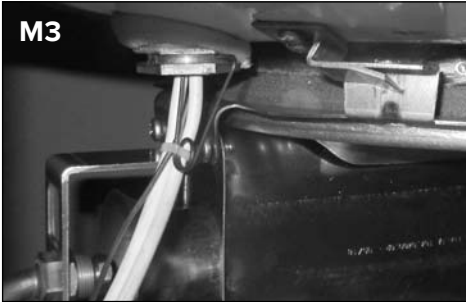
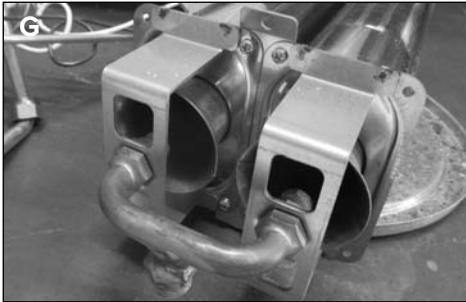
	FŐÉGŐ	GYÚJTÓÉGŐ
MODELL	300	
Metán gáz (G20)	2,40	0,27x2
Metán gáz (G25.1)	2,75	0,32x2
Cseppfolyós gáz (G30 G31)	1,55	0,22x1

4

1. gázszelep
2. hőmérséklet-szabályzó tekerőgomb
3. 1/2”G gázcsatlakozás
4. piezo gyújtó
5. termoelem
6. gyújtóelektroda
7. gyújtóégő
8. főégő
9. főégő fűvőka





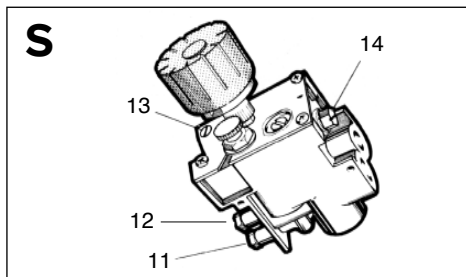


A SZOLGÁLTATOTT GÁZ NYOMÁSÁNAK ELLENŐRZÉSE.

A gáznyomást a 11 jelű nyomásmérési ponton lehet megmérni, **S ábra**, nyomásmérővel, mbar-ban kifejezve.

ŐRLÁNG SZABÁLYOZÁSA (EUROSIT szelep)

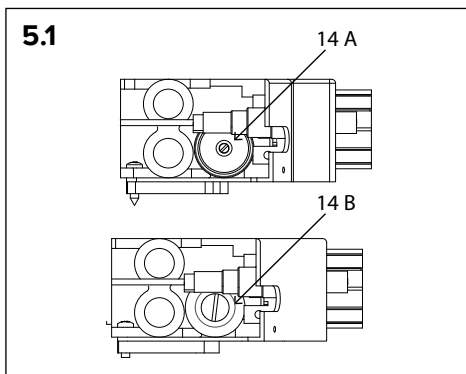
A 12 jelű csavarral lehet szabályozni az őrlángot (5. ábra). Az őrláng akkor van jól beállítva, ha 2-3 cm hosszú, és eléri a termoelem csúcsát.



		CSATLAKOZÁSI NYOMÁS	GYÚJTÓGŐ NYOMÁS
Metán gáz (G20)		20 mbar	13,3
Metán gáz (G25.1)		25 mbar	12,6
Cseppfolyós gáz	Bután (G30)	28 ÷ 30 mbar	25,7
	Propán (G31)	37 mbar	28,4

! FIGYELEM! Amennyiben G30, G31

- **A GÁZSZENGETÉSI SZELEP A** teljesen csavarja be a szabályozót 14 A ábra. 5.1
- **A GÁZSZENGETÉSI SZELEP B** scsavarja le a szelepet 14 B, ábra. 5.1 az óramutató járásával ellentétes irányba forgatva két fordulóban



BIZTONSÁGI RENDSZEREK

A készülék helyes működésének érdekében azt a következő biztonsági berendezésekkel látták el:

- **Termoelemmel történő lángellenőrzés:** ha nem ég az őrláng, elzárja a gázt. Ha ez a biztonsági beavatkozás nem véletlenszerűen, többször megismétlődik, az a készülék helytelen működését jelzi. Ez esetben képzett szakember beavatkozása szükséges.
- **A túlmelegedés ellen védő termostát** ugyanúgy működik, mint a termoelem, ha a víz hőmérséklete meghaladja a 90° C-ot. Ebben az esetben a készüléket nem lehet újraindítani, amíg a meleg vizet ki nem ürítették a belőle. A készülék újraindítása előtt a probléma elhárítása érdekében mindenképpen kérje képzett szakember segítségét.

KARBANTARTÁS

A karbantartás a biztonság, a megfelelő működés és a készülék hosszú élettartama érdekében alapvető fontosságú. A hatályos előírások szerint kell végrehajtani.



FIGYELEM!

A karbantartási műveletek megkezdése előtt zárja el a szaniter berendezés gáz- és vízcsapját.

Ajánlatos évente legalább egyszer elvégezni a következő műveleteket:

1. Vízhálózat tömítéseinek ellenőrzését.
2. A gázhálózat tömítéseinek ellenőrzését, és a nem jól záró tömítések cseréjét.
3. A készülék és az égés általános állapotának szemrevételezését.
4. Az égéskamra szemrevételezését és az égő esetleges megtisztítását.
5. A 3-as és 4-es pontban leírt ellenőrzést követően lehetőleg a fűvóka leszerelését és megtisztítását.
6. A gáz áramlási sebességének beállítását.
7. A vízbiztonsági rendszerek működésének ellenőrzését (hőmérséklet és nyomás határértékeket).
8. A gázbiztonsági rendszerek működésének ellenőrzését (gáz vagy láng meglétét, gázszelepet, stb.)

9. A helyiség szellőzésének ellenőrzését.

10. Az égéstermékek ürítésének ellenőrzését.

Megjegyzés: A művelet során vigyázzon a vízmelegítő belsejére, a belső védőburkolatnak nem szabad károsodnia.

Felhasználói információk


Tájékoztassa a felhasználót a készülék működtetésének módjairól!

A használati útmutatót mindenképpen adja át a felhasználónak, hangsúlyozva, hogy tartsa azokat a készülék közelében!

Továbbá mutassa meg a felhasználónak a következőket:

- Mutassa meg, hogyan lehet beállítani a hőmérsékletet és a szabályozást, melyek ismeretében a készülék megfelelően és gazdaságosabban üzemeltethető.
- Végeztesse el a készülék előírt időszakos karbantartását.
- Semmilyen esetben se változtassa meg az égést tápláló levegőre, illetve a füstgázra vonatkozó beállításokat!

ADATTÁBLA

 0000000 00,14312,0000000		sorozatszám	
Gyártási év	Gyártás dátuma (az adott év napja)		

MŰSZAKI ADATOK

Terméktípus azonosítója	SGA X... - AG LNX... - TES X...	
Modell	300	
EK-tanúsítvány	51CT4893	
Névleges űrtartalom	l	275
Valós űrtartalom	l	275
Névleges nyomás	bar	8
Névleges hőterhelés	kW	16
Hasznos teljesítmény	kW	14
Felfűtési idő ACS t 45°C	min.	62
Hővesztesség 60° C-on	W	2,86
Melegvíz-hozam		
Kieresztés 30K esetén	l/h	401
Kieresztés 45K esetén	l/h	301
ERP		
Megállapított terhelési profil	XXL	
A vízmelegítés energiahatékonysága η_{wh}	%	63
Energiaosztály	B	
Napi villamosenergia-fogyasztás Q_{elec}	kWh	--
Napi tüzelőanyag-fogyasztás Q_{fuel}	kWh	38,89
Hangerőszint L_{WA}	dB	59
Nitrogén-oxid kibocsátás (magasabb fűtőérték)	[mg/kWh]	31
Éves villamosenergia-fogyasztás AEC	kWh/annum	--
Éves tüzelőanyag-fogyasztás AFC	GJ/annum	30,7
Kevert víz 40°C-on V40	l	396
"Out of the box" set-point hőmérséklet	°C	50
A termosztát hivatkozási beállítása	4	
Csatlakozási gáznyomás		
Metán G20	mbar	20
Cseppfolyós gáz (bután) G30	mbar	28 ÷ 30
Cseppfolyós gáz (propán) G31	mbar	37
Gázfogyasztás		
Metán G20	m ³ /h	1,69
Cseppfolyós gáz (bután) G30	Kg/h	1,262
Cseppfolyós gáz (propán) G31	Kg/h	1,243
Füstgáz értékek		
Huzatnyomás	mbar	0,015
Füstgáz tömeg	g/sec	16
Füstgáz hőmérséklet	°C	137

Az egyenértékű típusok listáját a kézikönyv szerves részét alkotó A mellékletben találja.

A vízmelegítő és a napenergia-készülékek egységeihez tartozó termékek címke és a megfelelő műszaki adattalap nélkül a 812/2013 sz. szabályzat értelmében nem használandók ezen egységek létrehozásához.

OBECNÉ BEZPEČNOSTNÍ POKYNY

1. Pozorně si přečtete pokyny a varování uvedené v tomto návodu k použití, protože poskytuje důležité informace týkající se bezpečnosti instalace, použití a údržby. Tento návod tvoří nedílnou a nezbytnou součást výrobku. Bude muset neustále provázet zařízení, a to i při postoupení zařízení novému majiteli nebo uživateli a/nebo při jeho přemístění na jiné místo.

2. Výrobce nemůže být odpovědný za případné ublížení na zdraví osob a zvířat nebo za škody na majetku, vyplývající z nesprávného, chybného nebo nerozumného použití nebo z nedodržení pokynů uvedených v tomto návodu.

3. Toto zařízení slouží k produkci teplé užitkové vody, určené pro použití v domácnosti. Musí být připojeno do rozvodu teplé užitkové vody (TUV) v souladu s jeho vlastnostmi a výkonem. Je zakázáno použití k odlišným účelům, než je uvedeno. Výrobce nemůže být odpovědný za případné škody vyplývající z nesprávného, chybného nebo nerozumného použití nebo z nedodržení pokynů uvedených v tomto návodu.

Technik provádějící instalaci musí být oprávněný pro instalaci zařízení pro ohřev v souladu s Ministerskou vyhláškou č. 37 z 22. ledna 2008 a obdobnými předpisy, které obsahují nařízení ohledně instalace rozvodů v budovách.

Toto zařízení odpovídá z hlediska materiálů přicházejících do styku s užitkovou vodou požadavkům Ministerské vyhlášky č. 174/2004 z 6. dubna 2004.

4. Instalace, údržba a jakýkoli zákrok se musí provádět v souladu s platnými normami a pokyny, které poskytl výrobce v souladu se související legislativou (Vyhl. prez. rep. 74/2013 a obdobné předpisy). V případě poruchy a/nebo nesprávné činnosti vypnete zařízení, zavřete kohout přívodu plynu a nepokoušejte se o jeho opravu, ale obraťte se na kvalifikovaný personál.

Případné opravy mohou být provedeny pouze kvalifikovanými technikami, kteří přitom musí použít výhradně originální náhradní díly. Nedodržení výše uvedených pokynů může negativně ovlivnit bezpečnost zařízení a způsobit propadnutí jakékoli odpovědnosti ze strany výrobce.

V případě prací nebo údržby konstrukcí nacházejících se v blízkosti potrubí nebo zařízení pro odvádění kouře a jejich příslušenství je třeba vypnout zařízení a po ukončení prací nechat provést kontrolu potrubí a zařízení kvalifikovaným technickým personálem.

5. Součásti obalu (spony, plastové sáčky, pěnový polystyren atd.) se nesmí nechat v dosahu dětí, protože představují zdroj nebezpečí.

6. Toto zařízení může být používáno dětmi ve věku nejméně 8 let a osobami s omezenými fyzickými, smyslovými nebo duševními schopnostmi nebo osobami bez zkušeností nebo potřebné znalosti, pokud jsou pod dozorem nebo byly poučeny o bezpečném použití zařízení a chápou související nebezpečí.

Děti si nesmí hrát se zařízením. Čištění a údržbu, které má provádět uživatel, nesmějí provádět děti bez dozoru.

7. Platí povinnost našroubovat na trubku pro přívod vody do zařízení pojistný ventil, který vyhovuje národním předpisům. V zemích, které přijaly normu EN 1487, musí být součástí bezpečnostní jednotka určená pro maximální tlak 0,7 MPa a její součástí musí být nejméně uzavírací ventil, zpětný ventil, pojistný ventil a zařízení pro přerušování zatížení způsobeného tlakem vody.

8. Přetlakové zařízení (pojistný ventil nebo bezpečnostní jednotka) nesmí být vystaveno neoprávněnému zásahu a musí být pravidelně uváděno do činnosti, aby se ověřilo jeho případné zablokování a aby se odstranily případné nánosy vodního kamene.

9. Kapání přetlakového zařízení ve fázi ohřevu vody je běžným jevem. Z tohoto důvodu je třeba připojit výstup, který však musí být otevřen do atmosféry; připojení se provádí prostřednictvím drenážní trubky nainstalované se sklonem směrem dolů a na místě, kde nedochází k tvorbě ledu.
10. Když má zařízení zůstat nepoužíváno v místnosti vystavené mrazu, je nezbytné jej vyprázdnit a odpojit od elektrické sítě.
11. Produkovaná teplá voda o teplotě nad 50 °C v místě provozních ventilů může okamžitě způsobit vážné popáleniny. Děti, postižení a starší lidé jsou více vystaveni tomuto riziku. Proto se doporučuje použít termostatický směšovací ventil s objímkou červené barvy, který je třeba našroubovat na trubku pro výstup vody ze zařízení.
12. Žádný hořlavý prvek nesmí přicházet do styku se zařízením a/nebo se nesmí nacházet v jeho blízkosti.
13. Nepostávejte pod zařízením a neumísťujte pod něj žádné předměty, které by například mohly být poškozeny případným únikem vody.
14. K čištění zařízení nepoužívejte insekticidy, rozpouštědla ani agresivní čisticí prostředky, protože hrozí riziko poškození plastových nebo lakovaných součástí.
15. V případě, že ucítíte zápach spáleniny nebo uvidíte kouř unikající ze zařízení, vypněte zařízení, zavřete hlavní ventil přívodu plynu, otevřete okna a upozorněte na vzniklý problém příslušného technika. Pozor! Hrozí riziko popálení, vdechnutí kouře nebo otravy!

16. Pro zajištění účinnosti a správné činnosti zařízení je třeba provádět roční údržbu a analýzu spalin, a to ve lhůtách stanovených zákony platnými na daném území. Technický personál musí být kvalifikovaný a musí vyplnit servisní knížku v souladu s platnými předpisy.

DŮLEŽITÁ INFORMACE!

**PRO PŘIZPŮSOBENÍ OHŘÍVAČE VODY
JINÉMU PLYNU, NEŽ KTERÝ BYL
POUŽIT PŘI KALIBRACI, JE TŘEBA
PROVÉST VÝMĚNU TRYSEK.**

**VÝMĚNU DOPORUČUJEME PROVÉST
PŘED INSTALACÍ, ABY SE PŘEDEŠLO
DEMONTÁŽI PLYNOVÉ JEDNOTKY.**

UŽIVATELSKÝ NÁVOD K POUŽITÍ

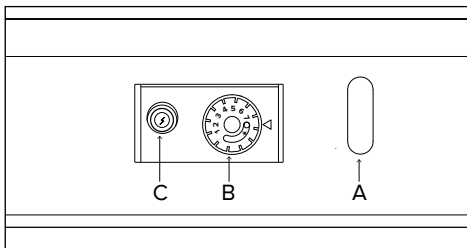


UPOZORNĚNÍ!

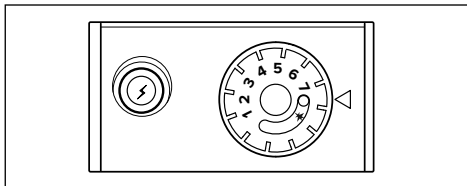
Instalaci, první zapnutí a seřízení v rámci údržby musí provádět výhradně kvalifikovaný personál v souladu s uvedenými pokyny.

Chybná instalace může způsobit ublížení na zdraví osob a zvrátat a škody na majetku, za které výrobce nemůže být odpovědný. Když je zařízení nainstalováno uvnitř bytu, zkontrolujte, zda jsou dodržena nařízení týkající se přívodu vzduchu a ventilace místnosti (v rámci platné legislativy).

POSTUP PŘI ZAPNUTÍ



Přestavte otočný ovladač B z polohy **O** (vypnuto) do polohy **★** (zapnutý pilotní hořák).



Stiskněte otočný ovladač B až na doraz, přidržejte jej ve stisknutém stavu a současně stiskněte piezoelektrický zapalovač C.

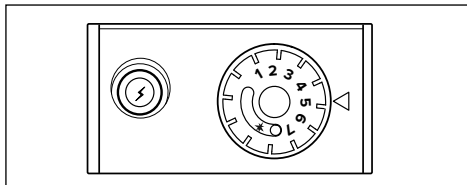
Přes otvor A zkontrolujte, zda je zapálený plamen hořáku. Když je plamen zapálený, přidržejte otočný ovladač B stisknutý ještě po dobu přibližně 20 sekund.

Když plamen hořáku nezůstane zapálen, zopakujte výše popsany postup.

NASTAVENÍ TEPLoty VODY

Prostřednictvím otočného ovladače B je možné nastavovat teplotu teplé vody.

Otočte otočný ovladač z polohy zapnutí do polohy **★** na stupnici, která odpovídá požadované teplotě od 1 (přibližně 42 °C) do 7 (přibližně 70 °C).



Pro zajištění úsporné spotřeby plynu a lepší účinnosti zařízení se doporučuje ponechat otočný ovladač v poloze odpovídající označení 5 (přibližně 60 °C).

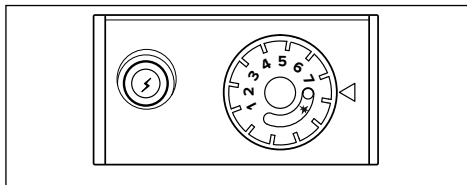
Při uvedené teplotě se také v případě mimořádně tvrdé vody (voda s vysokým procentuálním obsahem vodního kamene) snižují nánosy vodního kamene uvnitř ohřívače vody.

UPOZORNĚNÍ!

Voda o teplotě vyšší než 50 °C způsobuje vážné popáleniny. Před jakýmkoli použitím vždy zkontrolujte teplotu vody.

POSTUP PŘI VYPNUTÍ

Pro vypnutí zařízení otočte otočný ovladač B do polohy **O** (vypnuto).



UŽIVATELSKÝ NÁVOD K POUŽITÍ

RADY PRO POUŽITÍ

Věnujte pozornost tomu, aby byly ventily teplé vody rozvodu dokonale vodotěsné, protože kapání znamená spotřebu plynu a možné zvýšení teploty vody.

Když má rozvod zůstat bez použití v místnosti vystavené působení mrazu, zařízení vypusťte.

Při vypouštění zařízení je třeba:

- a) vypnout hořák a zavřít přívod plynu;
- b) zavřít ventil přívodu vody na vstupu zařízení;
- c) odmontovat trubku pro přívod studené vody i pojistný ventil;
- d) připojit hadici, s délkou vhodnou pro vzdálenost od odtoku, k trubce pro přívod vody (s modrým kroužkem) ohřívače vody;
- e) otevřít ventil pro dodávku teplé vody na výstupu zařízení.

Upozornění!

Při vypouštění může ze zařízení vytékat vroucí voda.

Před prováděním čištění vnějších částí vypněte zařízení. Čištění provádějte s použitím vlhkého hadru namočeného v mýdlové vodě.

Nepoužívejte agresivní čisticí prostředky, insekticidy ani toxické výrobky. Dodržení platných norem umožní bezpečnou a ekologickou činnost a úsporu energie.

POZNÁMKA: Vnitřní tělo ohřívače vody nesmí být během uvedeného postupu vystaveno nárazům, které by mohly poškodit vnitřní ochranný plášť.

DOPORUČENÍ PRO PŘEDCHÁZENÍ ŠÍŘENÍ LEGIONELLY

Legionella je druh bakterie ve tvaru tyčinky, která je přirozeně přítomna ve všech pramenitých vodách.

„Legionářská choroba“ spočívá ve speciálním druhu zápalu plic způsobeném inhalací vodní páry, která obsahuje právě uvedenou bakterii. Z tohoto pohledu je třeba zabránit dlouhodobé stagnaci vody obsažené v zařízení, který by měl být použit nebo vyprázdněn nejméně v týdenních intervalech.

Evropská norma CEN/TR 16355 poskytuje pokyny ohledně správných postupů, které je třeba přijmout pro zabránění proliferace legionelly v pitných vodách. V případě existence ještě přísnějších místních norem je nezbytná aplikace těchto postupů.

Tento akumulární ohřívač vody je prodáván s termostatem, který se vyznačuje pracovní teplotou vyšší než 60 °C; je proto vhodný k provedení cyklu tepelné dezinfekce, který umožňuje omezit šíření bakterií legionelly v zásobníku.


Aby se zabránilo dlouhodobému neodtékaní vody, je třeba ji používat nebo nechat dostatečně odtéct nejméně jednou týdně.


UPOZORNĚNÍ!

Voda o teplotě vyšší než 50 °C způsobuje vážné popáleniny. Před jakýmkoli použitím vždy zkontrolujte teplotu vody.

BEZPEČNOSTNÍ POKYNY PRO TECHNIKA PROVÁDĚJÍCÍHO INSTALACI


Vysvětlivky k symbolům:

 Nedodržení varování má za následek riziko ublížení na zdraví osob, za určitých okolností také smrtelné.


 Nedodržení upozornění má za následek riziko způsobení škod na majetku, rostlinách nebo ublížení zvířatům, za určitých okolností také vážné.

Výrobce nebude moci být považován za odpovědného za případné škody způsobené nevhodným použitím výrobku nebo nepřizpůsobením instalace pokynům uvedeným v tomto návodu.


Nainstalujte zařízení na pevnou stěnu, která není vystavena vibracím.

 Hlučnost během činnosti.


Při vrtání do stěn dbejte na to, aby nedošlo k poškození existujících elektrických kabelů nebo potrubí.


 Zásah elektrickým proudem následkem styku s vodiči pod napětím.

Poškození existujících rozvodů.


 Vytopení následkem úniku vody z poškozených potrubí.


Ujistěte se, že prostředí, do kterého je zařízení instalováno, a rozvody, ke kterým je třeba jej připojit, odpovídají platným předpisům.

 Zásah elektrickým proudem následkem styku s chybně nainstalovanými vodiči pod napětím.


 Poškození zařízení následkem nevhodných provozních podmínek.

Použijte manuální nářadí a zařízení vhodná k danému účelu (zejména se ujistěte, zda není nářadí opotřebované a zda je jeho rukojeť neporušená a řádně upevněná), použijte je předepsaným způsobem, zajistěte je proti pádu z výšky a po použití je uschovejte.


 Osobní ublížení na zdraví způsobené úlety úlomků nebo fragmentů, inhalací prachu, nárazy, pořezáním, píchnutím, oděry.

 Poškození zařízení nebo okolních předmětů následkem úletů úlomků, úderů, zářezů.


Ujistěte se, zda jsou pohyblivé žebříky opřené stabilním způsobem, zda jsou dostatečně odolné, zda jsou jednotlivé příčky neporušené a zda nejsou kluzké, zda jsou dostatečně zajištěné proti přesunům během jejich použití, zda je přítomen někdo, kdo dohlíží na dodržení uvedených požadavků.

 Ublížení na zdraví osob následkem pádu z výšky nebo pádu zapříčiněného žebříkem (u dvojitých žebříků).


Ujistěte se, že jsou žebříky a nástavba stabilně opřené, zda jsou dostatečně odolné, zda jsou vybavené zábradlím podél rampy a na podlaže, zda jsou jednotlivé příčky neporušené a zda nejsou kluzké.

 Ublížení na zdraví osob následkem pádu z výšky.


Během prací ve výšce se ujistěte (obvykle při převýšení vyšším než dva metry), zda je pracovní plocha ohraničena zábradlím nebo osobními ochrannými postroji zabraňujícími pádu, zda je prostor, ve kterém by probíhal případný pád, zbaven nebezpečných překážek, zda by byl případný pád utlumen polopevnými nebo deformačními povrchy.

 Ublížení na zdraví osob následkem pádu z výšky.


Ujistěte se, zda pracovní prostor disponuje vhodnými hygienicko-sanitárními podmínkami týkajícími se osvětlení, větrání a pevnosti.

 Ublížení na zdraví osob následkem nárazů, zakopnutí apod.


Chraňte zařízení a okolí pracovního prostoru s použitím vhodného materiálu.

 Poškození zařízení nebo okolních předmětů následkem úletů úlomků, úderů, zářezů.


Manipulujte se zařízením s použitím vhodných ochranných opatření.

 Poškození zařízení nebo okolních předmětů následkem nárazů, úderů, zářezů, přitlačení.


Během činnosti používejte ochranný oděv a osobní ochranné prostředky. Je zakázáno dotýkat se nainstalovaného výrobku bez obuvi nebo s mokřými částmi těla.

 Ublížení na zdraví osob způsobené vymrštěním úlomků nebo fragmentů, inhalací prachu, nárazy, pořezáním, píchnutím, oděry, hlukem, vibracemi.


Rozmístěte materiál a zařízení tak, aby umožňovaly pohodlnou a bezpečnou manipulaci, a vyhněte se stavění hromad, které by mohly povolít nebo spadnout.

 Poškození zařízení nebo okolních předmětů následkem nárazů, úderů, zářezů, přitlačení.

Úkony uvnitř zařízení se musí provádět s potřebnou opatrností a je třeba se při nich vyhnout styku se zahrocenými součástmi.

 Ublížení na zdraví osob pořezáním, píchnutím nebo oděrem.


Po ukončení zásahu na zařízení obnovte všechny bezpečnostní a kontrolní funkce a přesvědčte se o jejich funkčnosti ještě před opětovným uvedením zařízení do činnosti.


 Poškození nebo zablokování zařízení následkem nekontrolované činnosti.

Aktivací příslušných odvzdušnění vyprázdňte součásti, které by mohly obsahovat teplou vodu, ještě předtím, než s nimi budete manipulovat.

 Ublížení na zdraví osob následkem popálenin.

Proveďte očištění součástí od vodního kamene při současném dodržení pokynů uvedených v bezpečnostním listu použitého výrobku; přitom větrejte dané prostředí, použijte osobní ochranné prostředky, zabraňte směšování odlišných výrobků a ochraňte zařízení a okolní předměty.

 Ublížení na zdraví osob následkem styku kůže nebo očí s kyselými látkami, inhalace nebo požití škodlivých chemických látek.

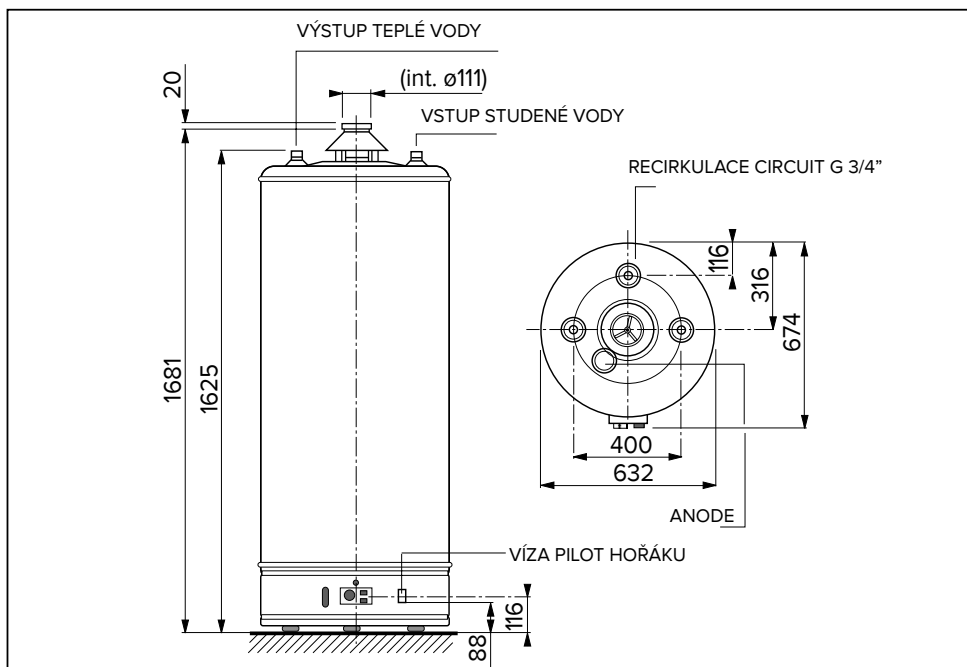
 Poškození zařízení nebo okolních předmětů následkem koroze způsobené kyselými látkami.

TECHNICKÉ ÚDAJE

K součástem zařízení patří:

- zásobník chráněný na vnitřní straně vrstvou lakovaného smaltu, vybavený ochrannou anodou proti dlouhodobé korozi;
- vnější plášť z lakovaného plechu;
- izolace z polyuretanové pěny s vysokou hustotou (bez CFC), která snižuje tepelné ztráty;
- odsavač kouře proti zpětnému toku spalin;
- plynový ventil vybavený:
termostatem nastavitelným do více poloh,
bezpečnostním systémem s termočlánkem;
omezovačem teploty, který přeruší přívod plynu v případě poruchové činnosti;
- tichý trubkový hořák z korozivzdorné oceli, přizpůsobitelný pro všechny druhy plynů;
- piezoelektrický zapalovač;
- bezpečnostní zařízení na ochranu proti zpětnému toku spalin.

VNĚJŠÍ ROZMĚRY



MODEL	Kapacita (litry)	VYTÁPACÍ ČAS		tepelný výkon (kW)	Užitečné hodnocení kW
		t 25°C	t 45°C		
300	275	40 min	65 min	16	14

KATEGORIE II_{2H3+} Typ B11 BS	Pro zařízení uzpůsobené pro činnost se zemním plynem (metan), které jsou přizpůsobitelné pro činnost s kapalným plynem.
---	---



UPOZORNĚNÍ!

Nainstalujte zařízení na pevný podklad, který není vystaven vibracím. Ujistěte se, že prostředí, do kterého je zařízení instalováno, a rozvody, ke kterým je třeba jej připojit, odpovídají platným předpisům.

UMÍSTĚNÍ

Zařízení umístěte dle pravidel dobré techniky.

Umístěte jej vedle zvolené stěny, a to tak, aby s ním dvě trubky, vstupní a výstupní, byly rovnoběžné.

Kdyby bylo třeba provést instalaci ohřívače vody do rohu, mezi dvě stěny, zachevejte mezi stěnou a zařízením dostatečnou vzdálenost pro instalaci a demontáž komponentů.

Místo instalace

Při volbě místa instalace zařízení dodržujte nařízení platných norem.

Zařízení musí být nainstalováno do dokonale svislé polohy. Zařízení nesmí být nainstalováno do blízkosti zdroje tepla.

Zařízení neinstalujte do prostředí, ve kterých může teplota klesnout až na 0 °C.

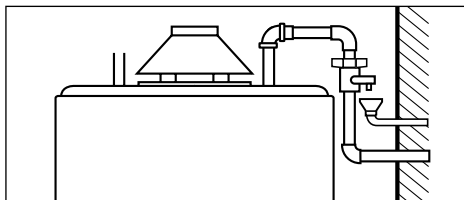
PŘIPOJENÍ K ROZVODU VODY

- Připojení k vodovodní síti je třeba provést prostřednictvím trubky o průměru 3/4" G.

Přívod studené vody je označen modrým kroužkem, zatímco výstup teplé vody je označen červeným kroužkem).

- Na potrubí přívodu vody (s modrým kroužkem) zařízení musí být namontován pojistný/zpětný vodní ventil. Do ventilu se nesmí nijak neoprávněně zasahovat.

- Nechte vodu určitou dobu vytékat a ujistěte se přitom, že se v potrubí nenacházejí cizí tělesa, jako jsou kovové třísky, písek, konopí apod. Kdyby taková tělesa vnikla do pojistného-zpětného ventilu, ohrozila by jeho řádnou činnost a v některých případech by mohla dokonce způsobit jeho prasknutí.
- Ujistěte se, že tlak v rozvodu pro dodávku teplé vody nepřekračuje 8 barů (0,8 MPa). V případě vyššího tlaku platí povinnost použít vysoce kvalitní reduktor tlaku. V takovém případě musí vodní ventil ve fázi ohřevu nutně kapat. Kapání se musí objevit také v případě, když je na vstupu ventilu aplikován zpětný ventil.
- Zabraňte tomu, aby kapání ventilu dopadalo na ohřívač vody. Aplikujte ventil způsobem znázorněným na obrázku a připravte malý sběrný trychtýř (kapátko), připojený k odtoku.



DŮLEŽITÁ INFORMACE!

Když je zařízení nainstalováno do oblastí s tvrdou vodou (> 200 mg/l), je třeba nainstalovat změkčovač pro omezení vytváření nánosů vodního kamene ve výměníku.

Záruka se nevztahuje na škody způsobené vodním kamenem.

VYPUŠTĚNÍ

Když se zařízení nebude delší dobu používat, vypusťte jej.

Při instalaci počítejte s touto potřebou a připojte vypouštěcí ventil ke spojce R.

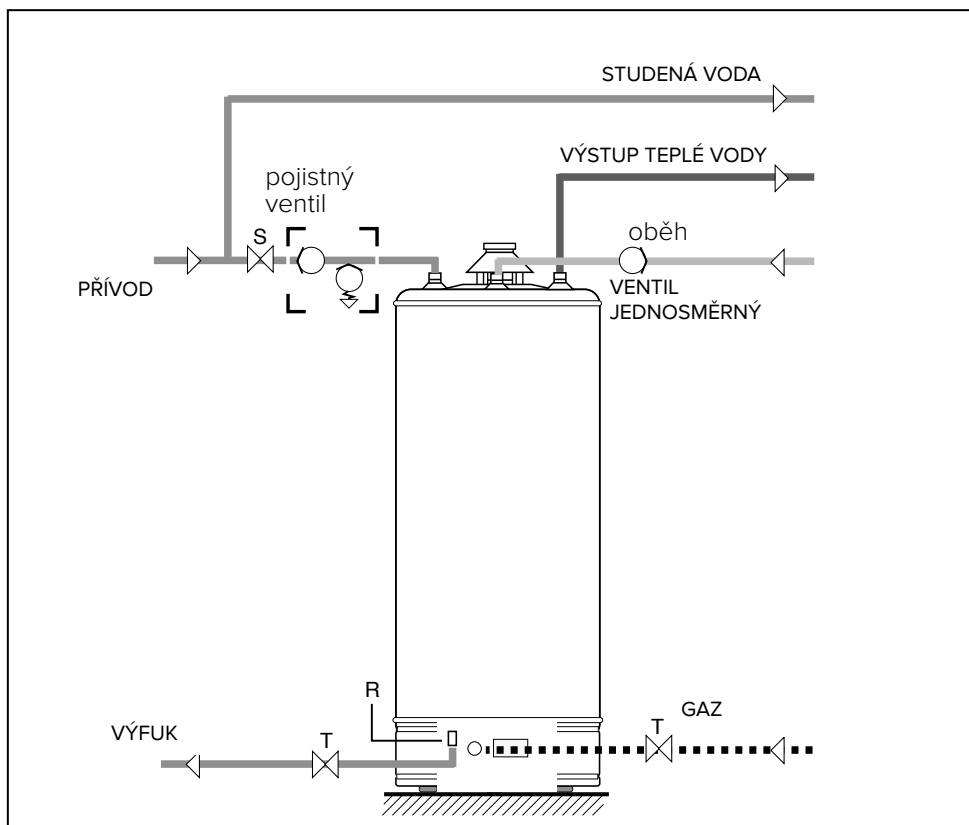
PRO VYPUŠTĚNÍ OHŘÍVAČE VODY JE TŘEBA:

- vypnout hořák a zavřít přívod plynu,
- zavřít zavírací ventil na vstupu zařízení,
- otevřít provozní ventily na výstupu ohřívače vody,
- otevřít vypouštěcí ventil, připojený ke spojce R.

OBĚH

Když je součástí uživatelského rozvodu také okruh pro oběh užitkové vody, je možné použít stejnou spojku, která se používá pro vypouštění.

Níže zobrazený okruh obsahuje schématický nákres připojení, které je třeba provést v tomto případě.



PŘIPOJENÍ KE KRBU

Zařízení typu B 11bs jsou zařízení s otevřenou komorou, které jsou určeny pro připojení k potrubí pro odvod spalin směrem ven z místnosti; spalovací vzduch je odebírán přímo z prostředí, ve kterém je ohřívač vody nainstalován. Odvádění spalin probíhá na základě přirozeného tahu.

Tento druh zařízení nemůže být nainstalován do místnosti, která neodpovídá náležitým nařízením ohledně ventilace, jak je uvedeno v předpisech platných pro danou problematiku.

Aby nedošlo k ohrožení řádné činnosti zařízení, místo instalace musí být vhodné pro jeho ochranu z hlediska mezní hodnoty provozní teploty, a to tak, že se zařízení nedostane do přímého styku s atmosférickými vlivy.

Zařízení je navrženo pro instalaci na zeď a musí být nainstalováno na zeď vhodnou pro udržení jeho hmotnosti. Při vytváření technologického prostoru je třeba dodržet minimální vzdálenosti, které zaručují přístup k vnitřním součástem zařízení.

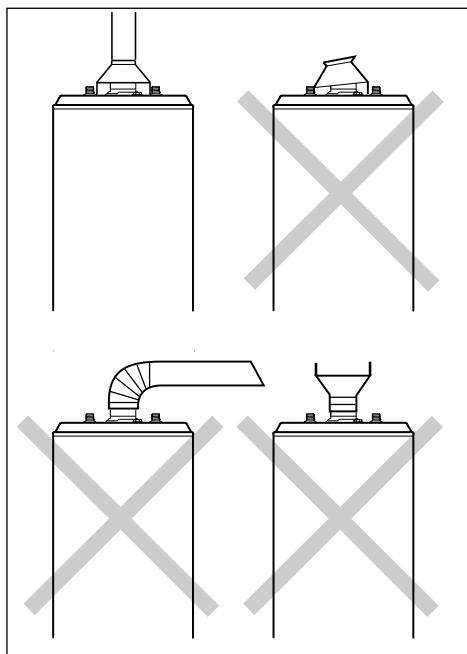
- Platí povinnost odvedení spálených plynů do exteriéru prostřednictvím trubky s minimálním průměrem 80, vložené do odsavače zařízení, za dodržení pokynů a alternativ Norem (především UNI-CIG 7129 a 7131).
- Je důležité, aby měl krb dobrý tah.
- Vyhněte se dlouhým vodorovným úsekům, protisklonům a přiškrcením potrubí pro odvádění, protože by mohly způsobovat nedokonalé spalování.
- Když odváděcí trubka prochází studenými místnostmi bez ohřevu, je vhodné ji vybavit tepelnou izolací, aby se zabránilo tvorbě kondenzátu.

- V žádném případě nesmí být odsavač odstraněn, měněn nebo nahrazen, protože je nedílnou součástí celého spalovacího systému plynového ohřívače vody.
- Správná instalace trubky pro odvádění spalin je ve výhradní odpovědnosti technika provádějícího instalaci.

DŮLEŽITÁ INFORMACE

Pro správnou činnost plynových zařízení se vyžaduje dokonalé umístění odsavače spalin, v souladu s uvedeným obrázkem.

Jednoznačně se vyhněte jakémukoliv druhu instalace, který odpovídá níže uvedeným příkladům.



MONTÁŽ SADY ODSAVAČE SPALIN A PŘIPOJENÍ SNÍMAČE SPALIN

Ohřívače vody jsou vybaveny zařízením, které má za úkol zablokovat přívod plynu do hořáku, a tedy přerušit činnost zařízení v případě částečného nebo úplného ucpání kouřové trubky.

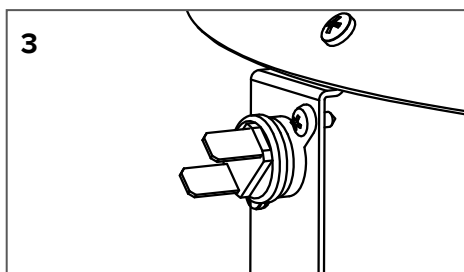
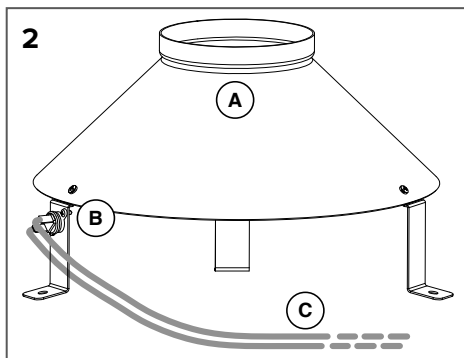
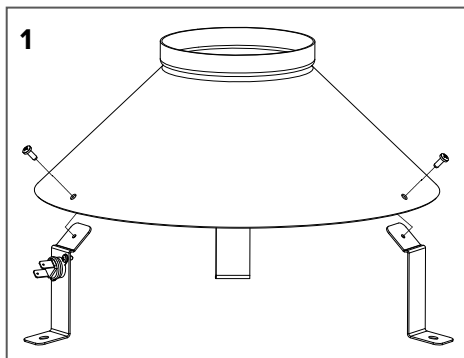
Toto zařízení je tvořeno termostatem „B“ (obr. 1) s manuálním obnovením činnosti, kalibrovaným na 87 ± 3 °C, připevněným na odsavači spalin „A“, který je připojen k přerušnému spoji plynového ventilu. To vše je součástí sady odsavače spalin z výbavy zařízení, který je třeba nainstalovat dle níže uvedených pokynů.

- Instalujte digestoř „A“ otáčením do nejlepší pozice s odkazem na snímač „B“ a kabel vycházející z ohřívače vody.
- Připojte kabelové svorky „C“ na kontakty chrániče spalin (Obr. 2).
- Pokračujte normálním ohříváním vody start-up. Pokud přístroj zablokuje, musí se znovu spustit následujícím způsobem:
- čekat po 10 minutách po blok;
- Znovu zapněte ohřívač vody podle následujících pokynů pokyny pro normální zapalování.

Když se chyba opakovala, neopakujte zapnutí, ale požádejte o zákrok kvalifikovaného technika za účelem odstranění příčiny problému.

Zkontrolujte správnost odvádění spalin měřením obsahu CO_2 při jmenovitém tepelném výkonu. Tato hodnota nesmí být vyšší, než je hodnota uvedená v tabulce s technickými parametry.

Když je hodnota vyšší, nechte zkontrolovat účinnost systému odvádění kouře. V případě, že není možné upravit hodnotu CO_2 na úroveň uvedenou v tabulce s Technickými parametry, neuvádějte zařízení do chodu.



UPOZORNĚNÍ!!

SNÍMAČ SPALIN NESMÍ BÝT NIKDY MĚNĚN NEBO VYŘAZOVÁN Z ČINNOSTI, ABY NEDOŠLO K OHROŽENÍ ŘÁDNÉ ČINNOSTI ZAŘÍZENÍ.

PŘÍPADNÝ NEVYHOVUJÍCÍ TAH MŮŽE ZPŮSOBIT ZPĚTNÝ TOK SPÁLENÝCH PLYNŮ DO PROSTŘEDÍ INSTALACE.

NEBEZPEČÍ OTRAVY KYSLIČNÍKEM UHELNATÝM.

PŘÍVOD PLYNU



UPOZORNĚNÍ!

Instalaci, první zapnutí a seřízení v rámci údržby musí provádět výhradně kvalifikovaný personál v souladu s uvedenými pokyny.

- Zkontrolujte, zda přiváděný plyn odpovídá plynu uvedenému na identifikačním štítku zařízení.
- Otevřete dveře a okna.
- Zabraňte přítomnosti jisker a volných plamenů.
- Zařízení mohou být kalibrována pro činnost s plynem metan G20 (pci) cca 8 100 kcal/m³; při použití tohoto plynu proto není požadováno žádné nastavování. Kalibrace při jiných plynech musí být provedena kvalifikovaným technikem.
- Připojení plynového potrubí k ventilu musí být provedeno prostřednictvím trubky o průměru 1/2" G.
- Doporučuje se zařadit před plynovou jednotku uzavírací ventil.
- Připojení k síti musí být provedeno prostřednictvím trubky (ocelové, měděné apod.). Nesmí být provedeno s použitím termoplastů a/nebo gumy.
- Po odložení hlavice a provedení připojení k síti zkontrolujte těsnost plynového rozvodu použitím mýdlového roztoku. Neprovádějte kolaudaci s plameny.

Ohřívač vody je vybaven hořčíkovou anodou, která je namontovaná v kotli. Životnost anody je úměrná průměrné teplotě, chemickému složení vody a množství odběrů.

V každém případě je vhodné provést každých 18÷24 měsíců kontrolu stavu anody, která se musí vyznačovat poměrně homogenním povrchem. Při poklesu průměru jejího pod 10÷12 mm se doporučuje provést její výměnu s použitím originální nové anody.

POZN.: Anoda je namontovaná ve spodní části zařízení, pod ochrannou hlavici.

DŮLEŽITÁ INFORMACE!

PRO PŘIZPŮSOBENÍ OHŘÍVAČE VODY JINÉMU PLYNU, NEŽ KTERÝ BYL POUŽIT PŘI KALIBRACI, JE TŘEBA PROVÉST VÝMĚNU TRYSEK.

VÝMĚNU DOPORUČUJEME PROVÉST PŘED INSTALACÍ, ABY SE PŘEDEŠLO DEMONTÁŽI PLYNOVÉ JEDNOTKY.

VYHRAZENO PRO TECHNIKA PROVÁDĚJÍCÍHO INSTALACI

Pokyny pro přizpůsobení k činnosti s jiným plynem než byl použitý pro kalibraci. Ze zemního plynu (G20) na Kapalný plyn (G30-G31) s plynovým ventilem model EUROSIT

Při přizpůsobení ohřívače vody jinému plynu, než který byl použit při kalibraci, postupujte způsobem znázorněným prostřednictvím souboru obrázků.

Rozměry otvorů trysek, vyjádřené v setinách milimetru, jsou uvedeny v tabulce.

Nevkládejte překážky nebo ucpání mezi otvor trysky a ústí „Venturiho“ trubky.

DŮLEŽITÁ INFORMACE!

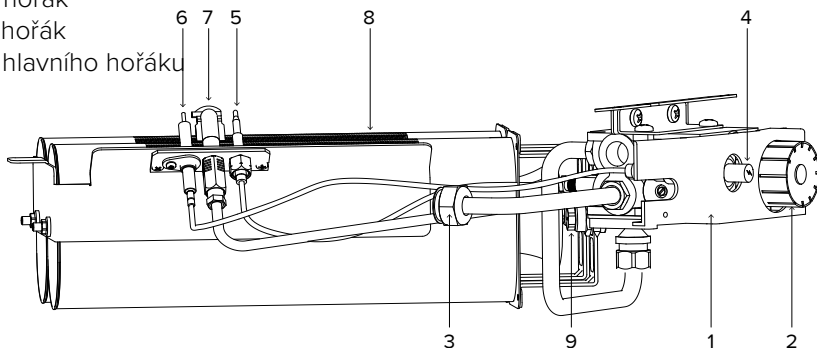
PRO PŘIZPŮSOBENÍ OHŘÍVAČE VODY JINÉMU PLYNU, NEŽ KTERÝ BYL POUŽIT PŘI KALIBRACI, JE TŘEBA PROVÉST VÝMĚNU TRYSEK.

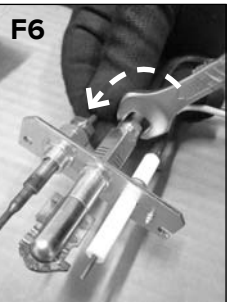
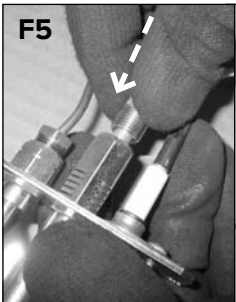
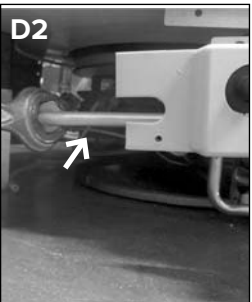
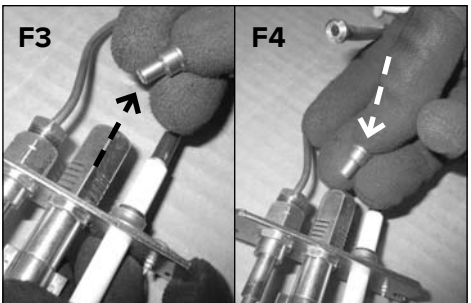
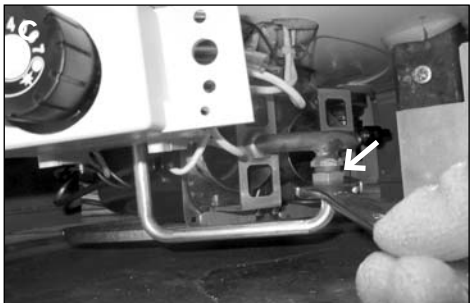
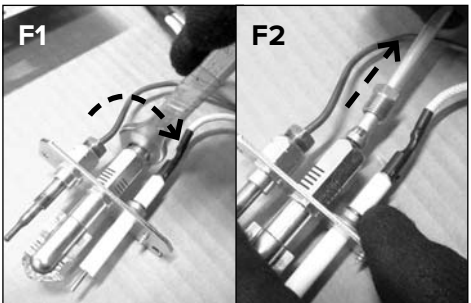
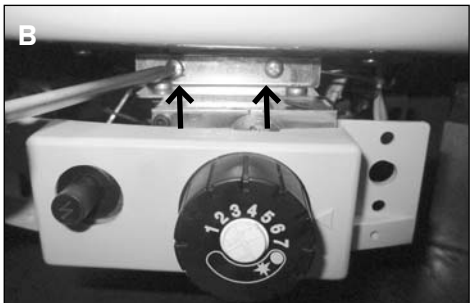
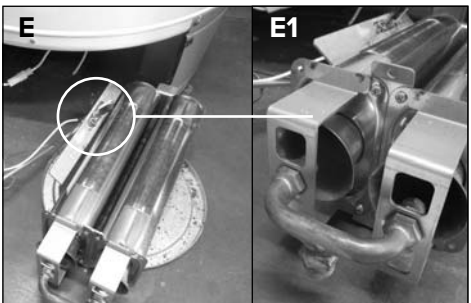
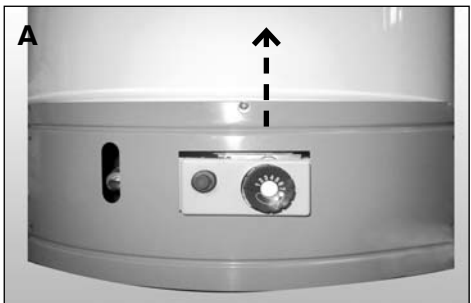
VÝMĚNU DOPORUČUJEME PROVÉST PŘED INSTALACÍ, ABY SE PŘEDEŠLO DEMONTÁŽI PLYNOVÉ JEDNOTKY.

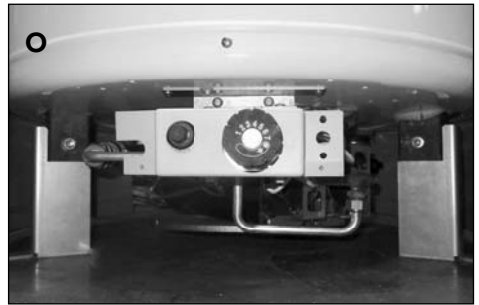
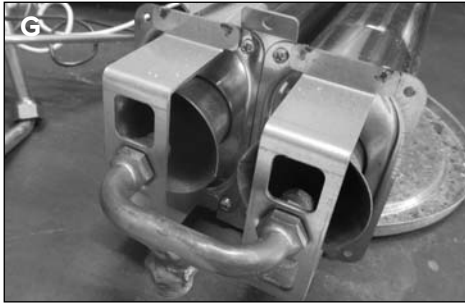
	HLAVNÍ HOŘÁK	PILOTNÍ HOŘÁK
MODELY	300	
PLYN metan (G20)	2,40	0,27x2
Kapalný plyn (G30-G31)	1,55	0,22x1

4

1. plynový ventil
2. otočný ovladač nastavení teploty
3. přípojka plynu 1/2" G
4. piezoelektrický zapalovač
5. termočlánek
6. zapalovací elektroda
7. pilotní hořák
8. hlavní hořák
9. tryska hlavního hořáku





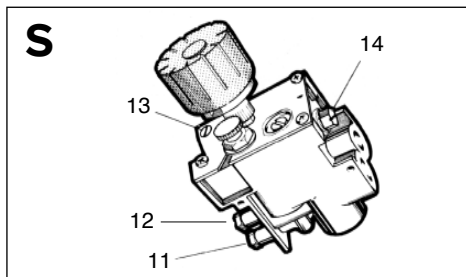


KONTROLA PŘÍVODNÍHO TLAKU

Tlak přívodu plynu se měří v tlakové zásuvce 11, **obr. S**, prostřednictvím tlakoměru a je vyjádřen v milibarech.

SEŘÍZENÍ PLAMENE PILOTNÍHO HOŘÁKU (Ventil EUROSIT)

Seřízení se provádí prostřednictvím šroubu 12 (obr. 5). Plamen pilotního hořáku je seřízen, když je jeho délka přibližně 2-3 cm a zasahuje horní část termočlátku.

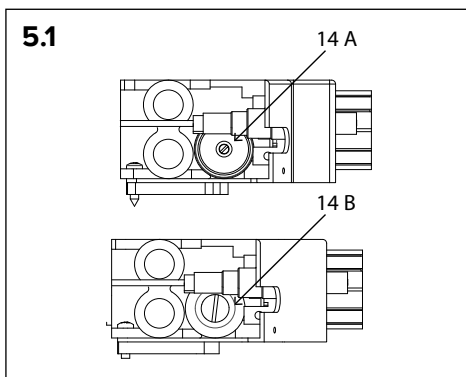


		TLAK PŘÍVODU PLYNU	TLAK HOŘÁK
PLYN metan (G20)		20 mbar	13,3
Kapalný PLYN	Butan (G30)	28 ÷ 30 mbar	25,7
	Propan (G31)	37 mbar	28,4

VÝSTRAHA!

V případě použití plynu G30, G31.

- **PLYNOVÝ VENTIL TYPU A**
úplně našroubujte regulátor 14 A obr. 5.1
- **PLYNOVÝ VENTIL TYPU B**
odšroubujte ventil 14 B, obr. 5.1, podle otáčením proti směru hodinových ručiček pro dvě kola



BEZPEČNOSTNÍ SYSTÉMY

Pro zajištění správné činnosti je zařízení vybaveno níže uvedenými ochranami:

- **Kontrola plamene a termočlánek**
přeruší přívod plynu v případě nepřítomnosti pilotního plamene. Opakovaný, a ne příležitostný zásah této ochrany poukazuje na nesprávnou činnost zařízení, a proto je potřebný zákrok kvalifikovaného personálu.
- **Termostat kontroly nadměrné teploty**
zasahuje stejným způsobem jako termočlánek, když teplota vody překročí 90 °C; v tomto případě zařízení nemůže být znovu zapnuto, dokud nebude odvedena teplá voda. V každém případě je potřebný zákrok kvalifikovaného personálu pro odstranění závady ještě před opětovným zapnutím zařízení.

ÚDRŽBA

Provádění údržby je nezbytným předpokladem pro řádnou činnost a dlouhou životnost zařízení. Je třeba ji provádět v souladu s platnými normami.



UPOZORNĚNÍ!

Před zahájením úkonů údržby zavřete přívod plynu a vody rozvodu s teplou užitkovou vodou.

Doporučuje se provést na zařízení alespoň jednou ročně následující kontroly:

1. Kontrola těsnosti části s vodou.
2. Kontrola těsnosti částí s plynem spojená s případnou výměnou těsnění.
3. Vizuální kontrola celkového stavu zařízení a hoření.
4. Vizuální kontrola spalovací komory a případné vyčištění hořáku.
5. Případná demontáž a čištění trysky po kontrolách uvedených v bodě 3 a 4.
6. Nastavení pro dosažení správného průtoku plynu.
7. Kontrola činnosti bezpečnostních systémů rozvodu vody (mezní teplota a mezní tlak).
8. Kontrola činnosti bezpečnostních systému rozvodu plynu (nepřítomnost plynu nebo plamene, plynový ventil apod.).
9. Kontrola parametrů ventilace místnosti.

10. Zkontrolujte parametry odvádění spalin.

POZN.: Vnitřní tělo ohřívače vody nesmí být během uvedeného postupu vystaveno nárazům, které by mohly poškodit vnitřní ochranný plášť.

Informace pro Uživatele


Informujte uživatele o způsobech činnosti zařízení.

Zejména nezapomeňte doručit uživateli návody k použití a informovat jej o tom, že je tyto návody třeba uschovat jako součásti zařízení.

Dále poskytněte uživateli následující informace:

- O způsobu nastavení teploty a regulačních zařízení za účelem zajištění správné a úsporné správy zařízení.
- O potřebě pravidelného provádění údržby rozvodu v souladu se zákonem stanovenými požadavky.
- O tom, že je jednoznačně zakázáno měnit nastavení týkající se přívodu vzduchu podporujícího hoření a spalovaného plynu.

IDENTIFIKAČNÍ ŠTÍTEK

 0000000 00 14312 0000000		výrobní číslo	
Rok výroby	Datum výroby (vztažen na den v roku)		

TECHNICKÉ PARAMETRY

Identifikační označení modelu dodavatele	SGA X... - AG LNX... - TES X...	
Model	300	
Certifikát ES	51CT4893	
Jmenovitá kapacita	l	275
Reálná kapacita	l	275
Jmenovitý tlak	bar	8
Jmenovitý tepelný výkon	kW	16
Užitkový výkon	kW	14
Doba ohřevu ACS t 45 °C	min.	62
Tepelný rozptyl při 60 °C	W	2,86
Průtok teplé vody		
Produkce při 30 K	l/h	401
Produkce při 45K	l/h	301
Erp		
Deklarovaný zátěžový profil	XXL	
Energetická účinnost ohřevu vody η_{wh}	%	63
Energetická třída	B	
Denní spotřeba elektrické energie Q_{elec}	kWh	--
Denní spotřeba paliva Q_{fuel}	kWh	38,89
Úroveň akustického výkonu L_{WA}	dB	59
Emise oxidu dusíku (spalné teplo)	[mg/kWh]	31
Roční spotřeba elektrické energie AEC	kWh/rok	--
Roční spotřeba paliva AFC	GJ/rok	30,7
Smíšená voda při 40 °C V40	l	396
Cílová teplota přednastavená ve výrobním závodě	°C	50
Vztažné nastavení termostatu	4	
Tlak připojení plynu		
Metan G20	mbar	20,0
Kapalný plyn (butan) G30	mbar	29,0
Kapalný plyn (propan) G31	mbar	37,0
Spotřeba plynu		
Metan G20	m ³ /h	1,69
Kapalný plyn (butan) G30	Kg/h	1,262
Kapalný plyn (propan) G31	Kg/h	1,243
Hodnoty spalin		
Tah	mbar	0,015
Hmotnostní průtok spalin	g/s	16
Teplota spalin	°C	137

Ohledně seznamu ekvivalentních modelů vycházejte z přílohy A, která je nedílnou součástí této příručky.

Výrobky bez štítku a příslušného listu pro soustavy ohřivačů vody a solárních zařízení, které vyžaduje nařízení 812/2013, nejsou určeny pro realizaci těchto systémů.

VŠEOBECNÉ BEZPEČNOSTNÉ POKYNY

1. Pozorne si prečítajte pokyny a varovania uvedené v tomto návode, pretože poskytujú dôležité informácie ohľadom bezpečnosti inštalácie, použitia a údržby. Tento návod tvorí neoddeliteľnú a nevyhnutnú súčasť výrobku. Musí byť stále súčasťou zariadenia, a pri jeho postúpení a/alebo pri jeho premiestnení na iné miesto, musí byť odovzdaný novému majiteľovi alebo používateľovi.

2. Výrobca nemôže byť zodpovedný za prípadné ublíženie na zdraví osôb a zvierat alebo za škody na majetku vyplývajúce z nesprávneho, chybného alebo nerozumného použitia alebo z nedodržania pokynov uvedených v tomto návode.

3. Toto zariadenie slúži na produkciu teplej úžitkovej vody, určenej pre použitie v domácnosti. Musí byť pripojené do rozvodu teplej úžitkovej vody (TUV) v súlade s jeho vlastnosťami a výkonom. Je zakázané použitie na iný účel, ako je výhradne uvedené. Výrobca nemôže byť zodpovedný za prípadné škody, vyplývajúce z nesprávneho, chybného alebo nerozumného použitia alebo z nedodržania pokynov uvedených v tomto návode.

Technik vykonávajúci inštaláciu musí byť oprávnený pre inštaláciu zariadenia pre ohrev v súlade s Ministerskou vyhláškou č. 37 z 22. januára 2008 a obdobnými predpismi, ktoré obsahujú nariadenie ohľadom inštalácie rozvodov v budovách.

Toto zariadenie odpovedá z hľadiska materiálov prichádzajúcich do styku s úžitkovou vodou požiadavkám Ministerskej vyhlášky č. 174/2004 z 6. apríla 2004.

4. Inštalácia, údržba a akýkoľvek zákrok sa musia vykonávať v súlade s platnými normami a pokynmi, ktoré poskytol výrobca v súlade so súvisiacou legislatívou (Vyhl. prez. rep. 74/2013 a obdobné predpisy). V prípade poruchy a/alebo nesprávnej činnosti vypnite zariadenie, zatvorte plynový ventil a nepokúšajte sa o opravu zariadenia, ale obráťte sa na kvalifikovaný personál.

Prípadné opravy môžu byť vykonané len kvalifikovanými technikmi, ktorí pritom musia použiť výhradne originálne náhradné diely. Nedodržanie vyššie uvedených pokynov môže negatívne ovplyvniť bezpečnosť zariadenia a zbaviť výrobcu akejkoľvek zodpovednosti.

V prípade prác alebo údržby na konštrukciách, ktoré sa nachádzajú v blízkosti potrubí alebo zariadení na odvádzanie spalín a ich príslušenstva, je potrebné vypnúť zariadenie a po ukončení prác nechať vykonať kontrolu potrubia a zariadenia kvalifikovaným technickým pracovníkom.

5. Súčasti obalu (spony, plastové vrecúška, penový polystyrén, atď.) sa nesmú nechať v dosahu detí, pretože predstavujú nebezpečenstvo.

6. Toto zariadenie smú používať deti mladšie ako 8 rokov a osoby s obmedzenými fyzickými, zmyslovými alebo duševnými schopnosťami a osoby bez skúseností alebo potrebných znalostí, len ak sú pod dozorom alebo boli poučené o bezpečnom použití zariadenia a chápu súvisiace nebezpečenstvo.

Deti sa nesmú hrať so zariadením. Čistenie a údržbu, ktoré má vykonávať používateľ, nesmú vykonávať deti bez dozoru.

7. Platí povinnosť naskrutkovať na rúrku pre prívod vody do zariadenia poistný ventil, ktorý vyhovuje národným predpisom. V krajinách, ktoré prijali normu EN 1487, musí byť súčasťou bezpečnostná jednotka, ktorá je v zhode s uvedenou normou; musí byť vhodná pre tlak maximálne 0,7 MPa a jej súčasťou musí byť najmenej uzatvárací ventil, spätný ventil, poistný ventil a zariadenie na prerušenie zataženia spôsobeného tlakom vody.

8. Pretlakové zariadenie (poistný ventil alebo bezpečnostná jednotka) nesmie byť vystavené neoprávnenému zásahu a musí byť pravidelne uvádzané do činnosti kvôli odstráneniu prípadných nánosov vodného kameňa a kvôli overeniu, či nie je zablokovaný.

9. Kvapkanie pretlakového zariadenia vo fáze ohrevu vody je bežným javom. Z tohto dôvodu je potrebné pripojiť výstup, ktorý však musí byť otvorený do atmosféry; pripojenie sa vykonáva prostredníctvom drenážnej hadice, nainštalovanej so sklonom smerom nadol, na mieste, kde nedochádza k tvorbe ľadu.
10. Keď má zariadenie zostať nepoužívané v miestnosti vystavenej mrazu, je nevyhnutné ho vyprázdniť a odpojiť od elektrickej siete.
11. Teplá voda ohriata nad 50 °C môže na prevádzkových ventiloch okamžite spôsobiť vážne popáleniny. Deti, postihnuté osoby a starší ľudia sú viac vystavení tomuto riziku. Preto sa odporúča použiť termostatický zmiešavací ventil s objímkou červenej farby, ktorý je potrebné naskrutkovať na rúčku pre výstup vody zo zariadenia.
12. Žiadny horľavý prvok nesmie prichádzať do styku so zariadením a/alebo sa nesmie nachádzať v jeho blízkosti.
13. Nestojte pod zariadením a neumiestňujte pod zariadenie žiadne predmety, ktoré by mohli byť poškodené prípadným únikom vody.
14. Na čistenie zariadenia nepoužívajte insekticídy, rozpúšťadlá ani agresívne čistiace prostriedky, pretože hrozí riziko poškodenia plastových alebo lakovaných častí.
15. V prípade, ak ucítite zápach spáleniny, alebo uvidíte dym unikajúci zo zariadenia, vypnite zariadenie, zatvorte hlavný ventil prívodu plynu, otvorte okná a upozornite na vzniknutý problém príslušného technika. Pozor! Hrozí riziko popálenia, vdýchnutia spalín alebo otravy!
16. Pre zaistenie účinnosti a správnej činnosti zariadenia je potrebné vykonávať ročnú údržbu a analýzu spalín, a to v lehotách stanovených zákonmi platnými na danom území. Technický personál musí byť kvalifikovaný a musí vyplniť servisnú knižku v súlade s platnými predpismi.

DÔLEŽITÁ INFORMÁCIA!

**PRE PRISPÔSOBENIE OHRIEVAČA
VODY INÉMU PLYNU, AKO BOL
POUŽITÝ PRI KALIBRÁCI, JE
POTREBNÉ VYKONAŤ VÝMENU
TRYSIEK.**

**ODPORÚČA SA VYKONAŤ VÝMENU
PRED INŠTALÁCIU, ABY SA
PREDIŠLO DEMONTÁŽI PLYNOVEJ
JEDNOTKY.**

UŽIVATEĽSKÝ NÁVOD NA POUŽITIE

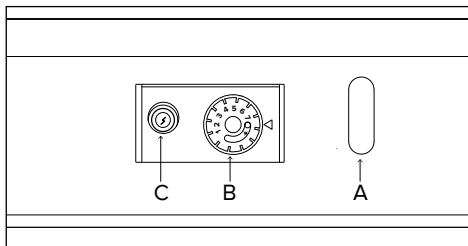


UPOZORNENIE!

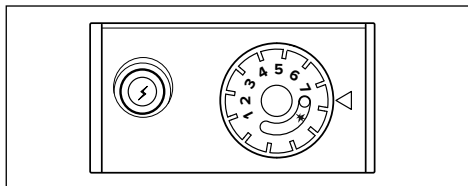
Inštaláciu, prvé zapnutie a nastavenie v rámci údržby musí vykonávať výhradne kvalifikovaný pracovník v súlade s uvedenými pokynmi.

Chybná inštalácia môže spôsobiť ublíženie na zdraví osôb a zvierat a škody na majetku, za ktoré výrobca nemôže byť zodpovedný. Keď je zariadenie nainštalované vo vnútri bytu, skontrolujte, či sú dodržané nariadenia, týkajúce sa prívodu vzduchu a ventilácie miestnosti (v rámci platnej legislatívy).

POSTUP PRI ZAPNUTÍ



Prestavte otočný ovládač B z polohy **O** (vypnutý) do polohy **★** (zapnutý pilotný horák).



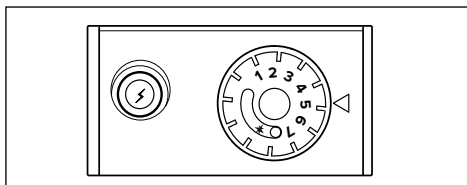
Stlačte otočný ovládač B až na doraz, pridržte ho v stlačenej polohe a súčasne stlačte piezoelektrický zapalovač C.

Cez otvor A skontrolujte, či je zapálený plameň horáka. Keď je plameň zapálený, pridržte otočný ovládač B stlačený ešte približne 20 sekúnd.

Keď plameň horáka nezostane horieť, zopakujte vyššie popísaný postup.

NASTAVENIE TEPLoty VODY

Prostredníctvom otočného ovládača B je možné nastavovať teplotu teplej vody. Otočte otočný ovládač z polohy zapnutia do polohy **★** na stupnici, ktorá odpovedá požadovanej teplote od 1 (približne 42 °C) do 7 (približne 70 °C).



Pre šetrenie spotreby plynu a lepšej účinnosti zariadenia sa odporúča ponechať otočný ovládač v polohe odpovedajúcej označeniu 5 (približne 60 °C).

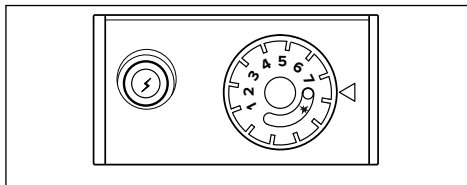
Pri uvedenej teplote sa tiež v prípade mimoriadne tvrdej vody (voda s vysokým percentuálnym obsahom vodného kameňa) znižujú nánosy vodného kameňa vo vnútri ohrievača vody.

UPOZORNENIE!

Voda s teplotou vyššou ako 50 °C spôsobuje vážne popáleniny. Pred akýmkoľvek použitím vždy skontrolujte teplotu vody.

POSTUP PRI VYPNUTÍ

Pre vypnutie zariadenia otočte otočný ovládač B do polohy **O** (vypnuté).



UŽIVATEĽSKÝ NÁVOD NA POUŽITIE

RADY PRE POUŽITIE

Zabezpečte, aby boli ventily rozvodu teplej vody dokonale vodotesné, pretože kvapkanie znamená spotrebu plynu a možné zvýšenie teploty vody.

Ak bude rozvod nepoužívaný v miestnosti vystavenej pôsobeniu mrazu, zariadenie vypustíte.

Pri vypustení zariadenia je potrebné:

- a) vypnúť horák a zatvoriť prívod plynu;
- b) zatvoriť ventil prívodu vody na vstupe zariadenia;
- c) odmontovať rúrku pre prívod studenej vody i poistný ventil;
- d) pripojiť hadicu, s dĺžkou vhodnou pre vzdialenosť od odtoku po rúrku pre prívod vody (s modrým krúžkom) ohrievača vody;
- e) otvoriť ventil pre dodávku teplej vody na výstupe zariadenia.

Upozornenie!

Pri vypúšťaní môže zo zariadenia vytekať vriaca voda.

Pred čistením vonkajších častí vypnite zariadenie. Čistíte vlhkou handrou, namočenou v mydlovej vode.

Nepoužívajte agresívne čistiace prostriedky, insekticídy ani toxické výrobky. Dodržanie platných noriem umožní bezpečnú a ekologickú činnosť a úsporu energie.

POZNÁMKA: Vnútročné telo ohrievača vody nesmie byť počas uvedeného postupu vystavené nárazom, ktoré by mohli poškodiť vnútorný ochranný plášť.

ODPORÚČANIE PRE PREDCHÁDZANIE ŠÍRENIU LEGIONELLY

Legionella je druh baktérie v tvare tyčinky, ktorá sa prirodzene nachádza vo všetkých pramenitých vodách.

„Legionárska choroba“ je špecifický zápal pľúc, spôsobený inhaláciou vodnej pary, ktorá obsahuje uvedenú baktériu. Z tohto pohľadu je potrebné zabrániť dlhodobej stagnácii vody v ohrievači vody a vyprázdniť ho, alebo vodu zužitkovať aspoň v týždenných intervaloch.

Európska norma CEN/TR 16355 obsahuje pokyny ohľadne správnych postupov, ktoré je potrebné prijať na zabránenie množeniu legionelly v pitných vodách, a ak sú v platnosti ešte prísnejšie miestne normy v súvislosti s legionellou, je potrebné ich aplikovať.

Tento akumulčný ohrievač vody sa predáva s termostatom s pracovnou teplotou vyššou ako 60 °C; preto je vhodný na vykonanie cyklu tepelnej dezinfekcie, obmedzujúceho šírenie baktérií legionelly v zásobníku.


Aby sa zabránilo dlhodobému odstátiu vody, je potrebné ju používať, alebo nechať dostatočne odtiecť najmenej raz týždeň.


UPOZORNENIE!

Voda s teplotou vyššou ako 50 °C spôsobuje vážne popáleniny. Pred akýmkoľvek použitím vždy skontrolujte teplotu vody.


BEZPEČNOSTNÉ POKYNY PRE TECHNIKA VYKONÁVAJÚCEHO INŠTALÁCIU

Vysvetlivky k symbolom:


 Nedodržanie varovania má za následok riziko ublíženia na zdraví osôb, za určitých okolností aj smrteľné.


 Nedodržanie varovania má za následok riziko spôsobenia škôd na majetku, rastlinách alebo ublíženia zvieratám, za určitých okolností i vážnych. Výrobca nebude môcť byť považovaný za zodpovedného za prípadné škody, spôsobené nevhodným použitím výrobku alebo chýbajúcim prispôbením inštalácie pokynom, uvedeným v tomto návode

Nainštalujte zariadenie na pevnú stenu, ktorá nie je vystavená vibráciám.


 Hlučnosť počas činnosti.


Pri vŕtaní do stien dbajte na to, aby nedošlo k poškodeniu existujúcich elektrických káblov alebo potrubí.

 Zásah elektrickým prúdom následkom styku s vodičmi pod napätím. Poškodenie existujúcich rozvodov.


 Vytopenie následkom úniku vody z poškodených potrubí.


Uistite sa, že prostredie, do ktorého je zariadenie inštalované a rozvody, ku ktorým je potrebné ho pripojiť, odpovedajú platným predpisom.

 Zásah elektrickým prúdom v dôsledku styku s chybné nainštalovanými vodičmi pod napätím.


 Poškodenie zariadenia následkom nevhodných podmienok činnosti.

Použite manuálne náradie a zariadenia vhodné pre daný účel (hlavne sa uistite, či nie je náradie opotrebované a či je jeho rukoväť neporušená a riadne upevnená), použite ho predpísaným spôsobom, zaistite ich proti pádu z výšky a po použití ich uschovajte.


 Ublíženie na zdraví, spôsobené vymrštením úlomkov alebo fragmentov, inhaláciou prachu, nárazmi, porazaním, pichnutím, odermi.

 Poškodenie zariadenia alebo okolitých predmetov následkom vymrštenia úlomkov, úderov, zárezov.


Uistite sa, či sú prenosné rebríky opreté stabilným spôsobom, či sú dostatočne odolné, či sú jednotlivé priečky neporušené a či nie sú klzké, či sú dostatočne zaistené proti presunom počas ich použitia, či je prítomný niekto, kto dohliada na dodržanie uvedených požiadaviek.

 Ublíženie na zdraví následkom pádu z výšky alebo pádu zapríčineného rebríkom (pri dvojítych rebríkoch).











Uistite sa, či sú rebríky a nástavba opreté stabilným spôsobom, či sú dostatočne odolné, či sú vybavené zábradlím pozdĺž rampy a na podlahe, či sú jednotlivé priečky neporušené a či nie sú klzké.

 Ublíženie na zdraví následkom pádu z výšky.

Počas prác vo výške sa uistite (obvykle pri prevýšení väčšom ako dva metre), či je pracovná plocha ohraničená zábradlím alebo osobnými ochrannými postrojmi zabráňujúcimi pádu, či je priestor, v ktorom by prebiehal prípadný pád, zbavený nebezpečných prekážok, či by bol prípadný pád utlmený polopevnými alebo deformačnými povrchmi.

 Ublíženie na zdraví následkom pádu z výšky.

Uistite sa, či pracovný priestor disponuje vhodnými hygienicko-sanitárnymi podmienkami, týkajúcimi sa osvetlenia, vetrania a pevnosti.

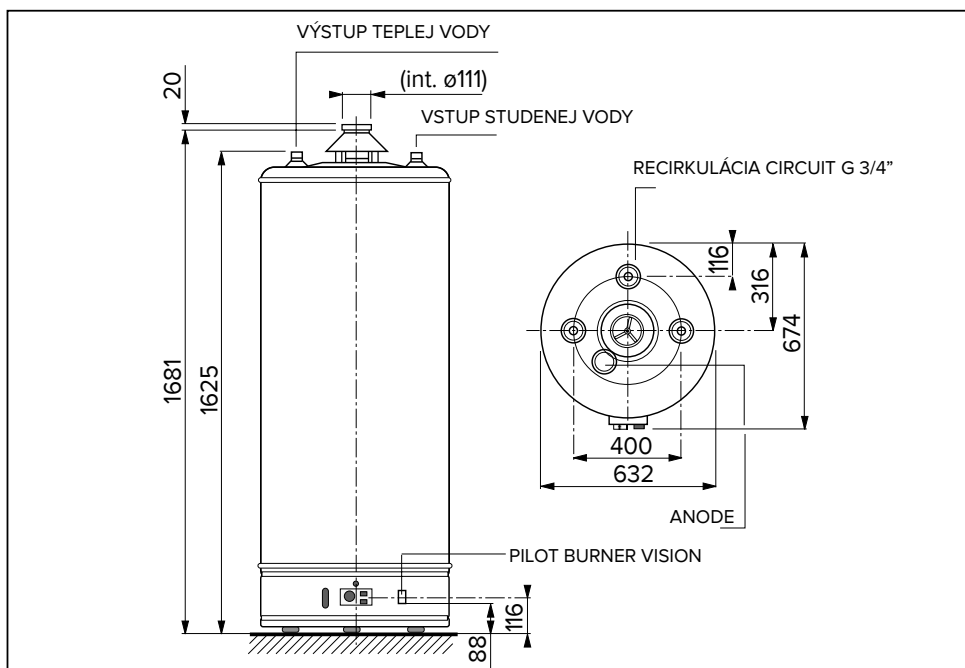
-  Ublíženie na zdraví následkom nárazov, zakopnutí, atď.
Chráňte zariadenie a okolie pracovného priestoru použitím vhodného materiálu.
-  Poškodenie zariadenia alebo okolitých predmetov následkom vymrštenia úlomkov, úderov, zárezov.
Manipulujte so zariadením s použitím vhodných ochrán a s potrebnou opatrnosťou.
-  Poškodenie zariadenia alebo okolitých predmetov následkom nárazov, úderov, zárezov a pritlačení.
Počas činnosti používajte ochranný odev a osobné ochranné prostriedky. Je zakázané dotýkať sa nainštalovaného výrobku bez obuvi alebo s mokrymi časťami tela.
-  Ublíženie na zdraví, spôsobené zásahom elektrického prúdu, vymrštením úlomkov alebo fragmentami, inhaláciou prachu, nárazmi, porezaním, pichnutím, odermi, hlukom, vibráciami.
Rozmiestnite materiál a zariadenia tak, aby umožňovali pohodlnú a bezpečnú manipuláciu a vyhnite sa stavaniu hromád, ktoré by mohli povoliť alebo spadnúť.
-  Poškodenie zariadenia alebo okolitých predmetov následkom nárazov, úderov, zárezov a pritlačení.
Úkony vo vnútri zariadenia sa musia vykonávať s potrebnou opatrnosťou a je potrebné sa pri nich vyhnúť styku so zahrozenými súčastami.
-  Ublíženie na zdraví, spôsobené porezaním, pichnutím a odermi.
Po ukončení zásahu na zariadení obnovte všetky bezpečnostné a kontrolné funkcie a presvedčte sa o ich funkčnosti ešte pred opätovným uvedením zariadenia do činnosti.
-  Poškodenie alebo zablokovanie zariadenia následkom nekontrolovanej činnosti.
Aktiváciou príslušných odvzdušnení vyprázdňte súčasti, ktoré by mohli obsahovať teplú vodu, ešte predtým, ako s nimi budete manipulovať.
-  Ublíženie na zdraví osôb následkom popálenín.
Očistite súčasti od vodného kameňa a dodržte pritom pokyny, uvedené v bezpečnostnom liste použitého produktu; pritom vetrajte dané prostredie, použite osobné ochranné prostriedky, zabráňte zmiešavaniu odlišných produktov a ochráňte zariadenia a okolité predmety.
-  Ublíženie na zdraví osôb následkom styku kože alebo očí s kyslými látkami, inhalácie alebo použitia škodlivých chemických látok.
-  Poškodenie zariadenia alebo okolitých predmetov následkom korózie spôsobenej kyslými látkami.

TECHNICKÉ ÚDAJE

K súčastiam zariadenia patria:

- zásobník chránený na vnútornej strane vrstvou lakovaného smaltu, vybavený ochrannou anódou proti dlhodobej korózii;
- vonkajší plášť z lakovaného plechu;
- izolácia z polyuretánovej peny s vysokou hustotou (bez CFC), ktorá znižuje tepelné straty;
- odsávač dymu proti spätnému toku spalín;
- plynový ventil vybavený:
termostatom nastaviteľným do viacerých polôh,
bezpečnostným systémom s termočlánkom;
obmedzovačom teploty, ktorý preruší prívod plynu v prípade poruchovej činnosti;
- tichý rúrkový horák z nehrdzavejúcej ocele, prispôsobiteľný pre všetky druhy plynov;
- piezoelektrický zapalovač;
- bezpečnostné zariadenie na ochranu proti spätnému toku spalín.

VONKAJŠIE ROZMERY



MODEL	Kapacita (litre)	ČAS VYKUROVANIA		tepelný výkon (kW)	Užitočná hodnota kW
		t 25°C	t 45°C		
300	275	40 min	65 min	16	14

KATEGÓRIA II_{2H3+} Typ B11 BS	Pre zariadenia usposobené pre zemný plyn (metán), ktoré sú prispôsobiteľné pre činnosť s kvapalným plynom.
---	--



UPOZORNENIE!

Nainštalujte zariadenie na pevný podklad, ktorý nie je vystavený vibráciám. Uistite sa, že prostredie, do ktorého je zariadenie inštalované a rozvody, ku ktorým je potrebné ho pripojiť, odpovedajú platným predpisom.

UMIESTNENIE

Zariadenie umiestnite podľa pravidiel dobrej techniky.

Umiestnite ho vedľa zvolenej steny, a to tak, aby s ňou dve rúrky, vstupná a výstupná, boli rovnobežné.

Ak by bolo potrebné vykonať inštaláciu ohrievača vody do rohu, medzi dve steny, zachovajte medzi stenou a zariadením dostatočnú vzdialenosť pre inštaláciu a demontáž komponentov.

Miesto inštalácie

Pri voľbe miesta inštalácie zariadenia dodržujte nariadenia platných noriem.

Zariadenie musí byť nainštalované do dokonale zvislej polohy. Zariadenie nesmie byť nainštalované do blízkosti zdroja tepla.

Zariadenie neinštalujte do prostredia, kde môže teplota klesnúť až na 0 °C.

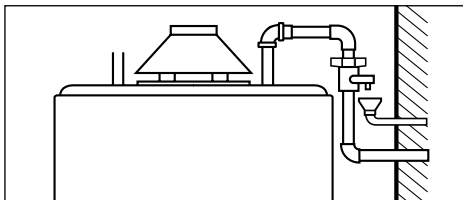
PRIPOJENIE K ROZVODU VODY

- Pripojenie k vodovodnej sieti je potrebné vykonať rúrkou s priemerom 3/4" G.

Prívod studenej vody je označený modrým krúžkom, zatiaľ čo výstup teplej vody je označený červeným krúžkom).

- Na potrubí prívodu vody (s modrým krúžkom) zariadenia musí byť namontovaný poistný/spätný vodný ventil. Do ventilu sa nesmie nijakým spôsobom neoprávnene zasahovať.

- Nechajte vodu určitú dobu vytekať a uistite sa pritom, že sa v potrubí nenachádzajú cudzie telesá, ako sú kovové triesky, piesok, konope, atď. Ak by takéto predmety vnikli do poistného-spätného ventilu, ohrozili by jeho riadnu činnosť a v niektorých prípadoch by mohli dokonca spôsobiť jeho prasknutie.
- Uistite sa, že tlak v rozvode pre dodávku teplej vody neprekračuje 8 barov (0,8 MPa). V prípade vyššieho tlaku platí povinnosť použiť vysoko kvalitný reduktor tlaku. V takom prípade musí vodný ventil vo fáze ohrevu nutne kvapkať. Kvapkanie sa musí objaviť tiež v prípade, keď je na vstupe ventilu aplikovaný spätný ventil.
- Zabráňte tomu, aby kvapkanie ventilu dopadalo na ohrievač vody. Aplikujte ventil spôsobom znázorneným na obrázku a pripravte malý zberný lievik (kvapkadlo) pripojený k odtoku.



DÔLEŽITÁ INFORMÁCIA!

Keď je zariadenie nainštalované do oblasti s tvrdou vodou (> 200 mg/l), je potrebné nainštalovať zmäkčovač kvôli obmedzeniu vytvárania nánosov vodného kameňa vo výmenníku.

Záruka sa nevzťahuje na škody spôsobené vodným kameňom.

VYPUSTENIE

Keď má byť zariadenie dlhšiu dobu nepoužívané, vypustíte ho.

Pri inštalácii počítajte s touto potrebou a pripojte vypúšťací ventil k spojke R.

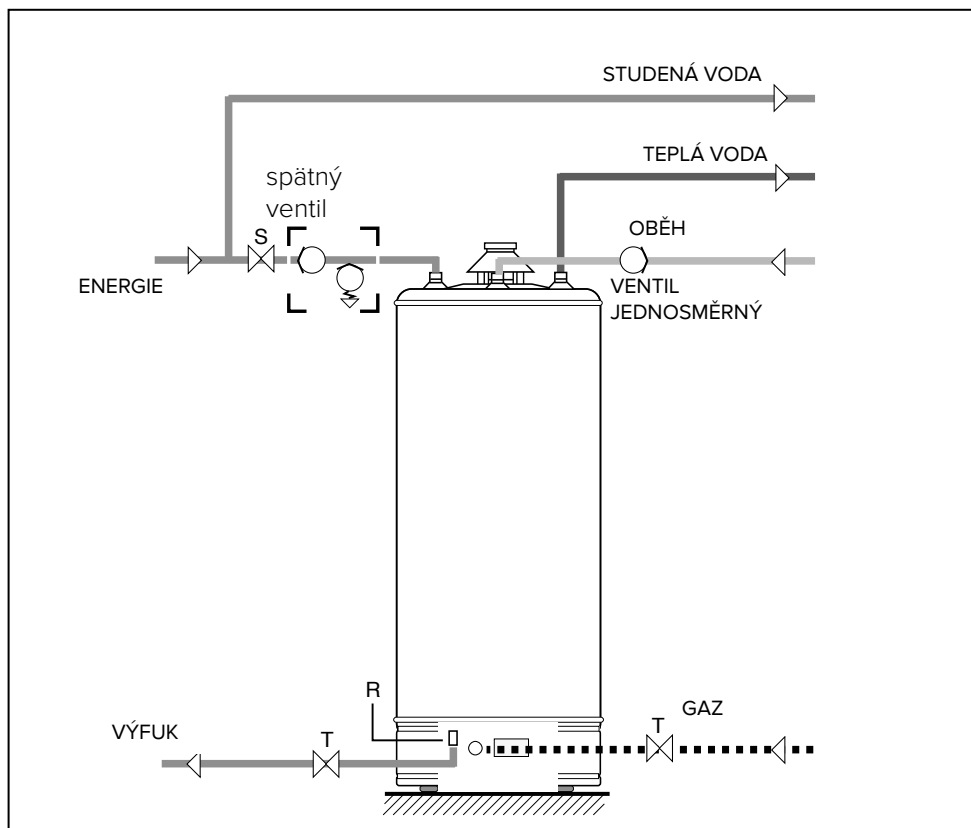
PRE VYPUSTENIE OHRIEVAČA VODY JE POTREBNÉ:

- vypnúť horák a zatvoriť prívod plynu,
- zatvoriť zatvárací ventil na vstupe zariadenia,
- otvoriť prevádzkové ventily na výstupe ohrievača vody,
- otvoriť vypúšťací ventil, pripojený k spojke R.

OBEH

Keď je súčasťou užívateľského rozvodu tiež okruh pre obeh úžitkovej vody, je možné použiť rovnakú spojku, ktorá sa používa pre vypúšťanie.

Nižšie zobrazený okruh obsahuje schematický náčrt pripojenia, ktoré je potrebné vykonať v tomto prípade.



PRIPOJENIE KU KRBU

Zariadenia typu B 11bs sú zariadenia s otvorenou komorou, ktoré sú určené pre pripojenie k potrubiu pre odvádzanie spalín smerom von z miestnosti; spaľovací vzduch je odoberaný priamo z prostredia, v ktorom je ohrievač vody nainštalovaný. Odvádzanie spalín prebieha na základe prirodzeného ťahu.

Tento druh zariadenia nemôže byť nainštalovaný do miestnosti, ktorá nezodpovedá náležitým nariadeniam ohľadom ventilácie, ako je uvedené v predpisoch platných pre danú problematiku.

Aby nedošlo k ohrozeniu riadnej činnosti zariadenia, miesto inštalácie musí byť vhodné pre jeho ochranu z hľadiska medznej hodnoty prevádzkovej teploty, a to tak, že sa zariadenie nedostane do priameho styku s atmosférickými vplyvmi. Zariadenie je navrhnuté pre inštaláciu na stenu a musí byť nainštalované na stenu, ktorá je vhodná z hľadiska jeho hmotnosti. Pri vytváraní technologického priestoru je potrebné dodržať minimálne vzdialenosti, ktoré zaručujú prístup k vnútorným súčastiam zariadenia.

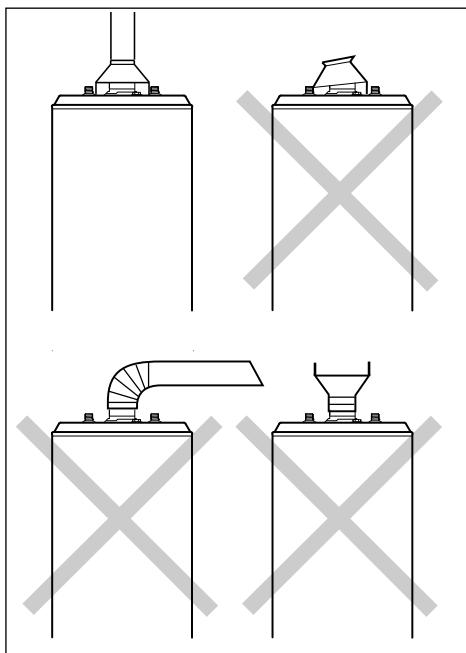
- Platí povinnosť odvedenia spálených plynov do exteriéru prostredníctvom rúrky s minimálnym priemerom 80, vloženej do odsávača zariadenia, pri dodržaní pokynov a alternatív Noriem (predovšetkým UNI-CIG 7129 a 7131).
- Je dôležité, aby mal krb dobrý ťah.
- Vyhnite sa dlhým vodorovným úsekom, protisklonom a priškrteniam potrubí pre odvádzanie, pretože by mohli spôsobovať nedokonalé spaľovanie.
- Keď odvádzacia rúrka prechádza studenými miestnosťami bez ohrevu, je vhodné ju vybaviť tepelnou izoláciou, aby sa zabránilo tvorbe kondenzátu.

- V žiadnom prípade nesmie byť odsávač odstránený, menený alebo nahradený, pretože je neoddeliteľnou súčasťou celého spaľovacieho systému plynového ohrievača vody.
- Za správnu inštaláciu rúrky pre odvádzanie spalín je zodpovedný výhradne technik vykonávajúci inštaláciu.

DÔLEŽITÁ INFORMÁCIA!

Pre správnu činnosť plynových zariadení sa vyžaduje dokonalé umiestnenie odsávača spalín, v súlade s uvedeným obrázkom.

Jednoznačne sa vyhnite inštalácii, ktorej príklady sú uvedené nižšie.



MONTÁŽ SADY ODSÁVAČA SPALÍN A PRIPOJENIE SNÍMAČA SPALÍN

Ohrievače vody sú vybavené zariadením, ktoré má za úlohu zablokovvať prívod plynu do horáka, a teda prerušiť činnosť zariadenia v prípade čiastočného alebo úplného upchatia dymovodnej rúrky.

Toto zariadenie je tvorené termostatom „B“ (obr. 1) s manuálnym obnovením činnosti, kalibrovaným na 87 ± 3 °C, pripevneným na odsávači spalín „A“, ktorý je pripojený k prerušenému spoju plynového ventilu. To všetko je súčasťou súpravy odsávača spalín, z výbavy zariadenia, ktorý je potrebné nainštalovať podľa nižšie uvedených pokynov.

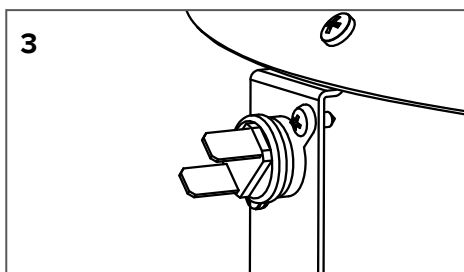
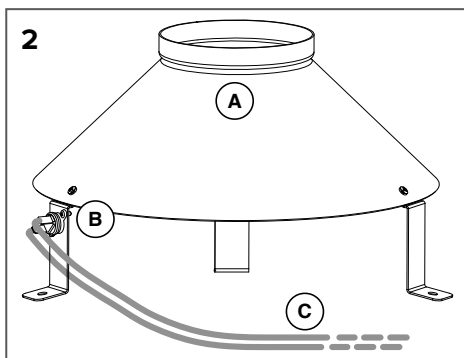
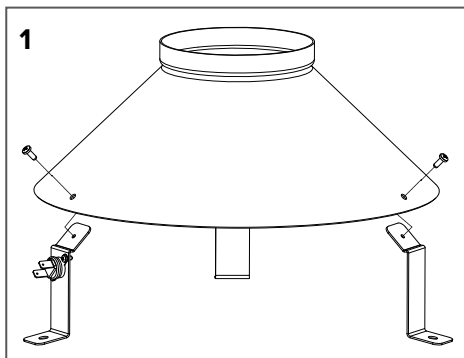
- Inštalujte odsávač dymovodu „A“ do najlepšej pozície s odkazom na snímač „B“ a kábel opustia ohrievač vody.
- Pripojte káblové svorky „C“ do polohy kontakty ochranného zariadenia proti spalínám (Obr.2).
- Pokračujte s normálnym ohrievačom vody začiatok. Ak zariadenie zablokuje, musí sa znova spustiť nasledovne:
 - nasleduje čakať 10 minút po bloku;
 - Opätovným spustením ohrievača vody postupujte nasledovne pokyny pre normálne zapáľovanie.

Ak by sa chyba opakovala, nezapínajte znova, ale požiadajte o zákrok kvalifikovaného technika, kvôli odstráneniu príčiny problému.

Skontrolujte správnosť odvádzania spalín meraním obsahu CO_2 pri menovitom tepelnom výkone. Táto hodnota nesmie byť vyššia, ako je hodnota uvedená v tabuľke s technickými parametrami.

Keď je hodnota vyššia, nechajte skontrolovať účinnosť systému odvádzania spalín.

V prípade, ak nie je možné upraviť hodnotu CO_2 na úroveň uvedenú v tabuľke s Technickými parametrami, neuvádzajte zariadenie do činnosti.



UPOZORNENIE!

SNÍMAČ SPALÍN NESMIE BYŤ NIKDY MENENÝ ALEBO VYRAĐOVANÝ Z ČINNOSTI, ABY NEDOŠLO K OHROZENIU RIADNEJ ČINNOSTI ZARIADENIA.

PRÍPADNÝ NEVYHOVUJÚCI ŤAH MÔŽE SPÔSOBIŤ SPÄTNÝ TOK SPÁLENÝCH PLYNOV DO PROSTREDIA INŠTALÁCIE.

NEBEZPEČENSTVO OTRAVY OXIDOM UHOLNATÝM.

PRÍVOD PLYNU



UPOZORNENIE!

Inštaláciu, prvé zapnutie a nastavenie v rámci údržby musí vykonávať výhradne kvalifikovaný pracovník v súlade s uvedenými pokynmi.

- Skontrolujte, či privádzaný plyn zodpovedá plynu uvedenému na identifikačnom štítku zariadenia.
- Otvorte dvere a okná.
- Zabráňte prítomnosti iskier a voľných plameňov.
- Zariadenia môžu byť kalibrované pre činnosť s plynom metán G20 (pci) pribl. 8 100 kcal/m³; pri použití tohto plynu preto nie je požadované žiadne nastavovanie. Kalibrácia pri iných plynoch musí byť vykonaná kvalifikovaným technikom.
- Pripojenie plynového potrubia k ventilu musí byť vykonané prostredníctvom rúrky s priemerom 1/2" G.
- Odporúča sa zaradiť pred plynovú jednotku uzatvárací ventil.
- Pripojenie k sieti musí byť vykonané prostredníctvom rúrky (oceľové, medené, atď.). Nesmie byť vykonané s použitím termoplastov a/alebo gummy.
- Po odložení hlavice a pripojení k sieti skontrolujte tesnosť plynového rozvodu použitím mydlového roztoku. Nevykonávajte kolaudáciu s plameňmi.

Ohrievač vody je vybavený horčíkovou anódou, ktorá je namontovaná v kotli. Životnosť anódy je úmerná priemernej teplote, chemickému zloženiu vody a množstvu odberov.

V každom prípade je vhodné vykonať každých 18÷-24 mesiacov kontrolu stavu anódy, ktorá sa musí mať pomerne homogénny povrch. Pri poklese jej priemeru pod 10÷12 mm sa odporúča vymeniť ju za originálnu novú anódu.

POZN.: Anóda je namontovaná v spodnej časti zariadenia, pod ochrannou hlaviceou.

DÔLEŽITÁ INFORMÁCIA!

PRE PRISPÔSOBENIE OHRIEVAČA VODY INÉMU PLYNU, AKO BOL POUŽITÝ PRI KALIBRÁCI, JE POTREBNÉ VYKONAŤ VÝMENU TRYSIEK.

ODPORUČA SA VYKONAŤ VÝMENU PRED INŠTALÁCIOU, ABY SA PREDIŠLO DEMONTÁŽI PLYNOVEJ JEDNOTKY.

VYHRADENÉ PRE TECHNIKA VYKONÁVAJÚCEHO INŠTALÁCIU

Pokyny pre prispôsobenie pre iný plyn ako bol použitý pre kalibráciu. Zo zemného plynu (G20) na Kvapalný plyn (G30-G31) s plynovým ventilom model EUROSIT

Pri prispôsobení ohrievača vody inému plynu ako bol použitý pri kalibrácii, postupujte spôsobom znázorneným prostredníctvom súboru obrázkov.

Rozmery otvorov trysiek, vyjadrené v stotínach milimetra, sú uvedené v tabuľke.

Nevkladajte prekážky medzi otvor trysky a ústie „Venturiho“ rúrky.

DÔLEŽITÁ INFORMÁCIA!

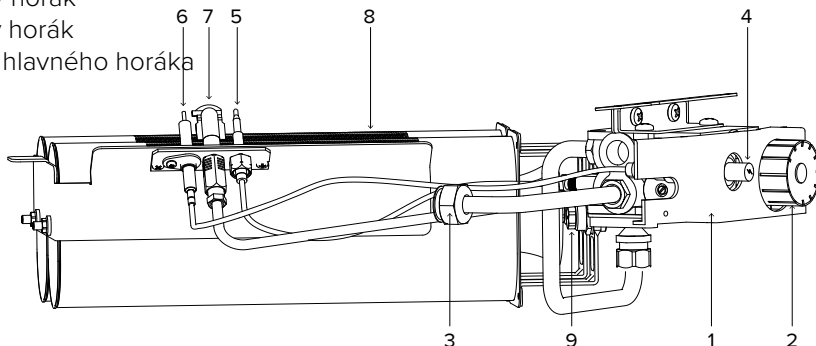
PRE PRISPÔSOBENIE OHRIEVAČA VODY INÉMU PLYNU, AKO BOL POUŽITÝ PRI KALIBRÁCIÍ JE POTREBNÉ VYKONÁŤ VÝMENU TRYSIEK.

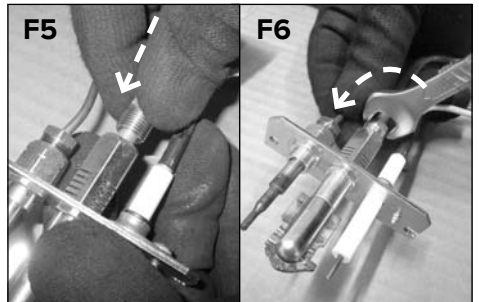
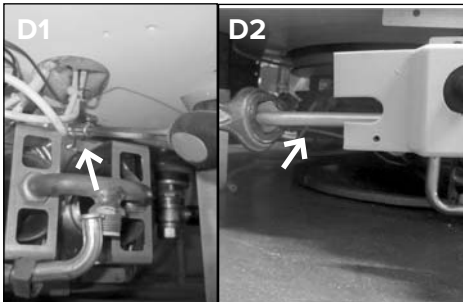
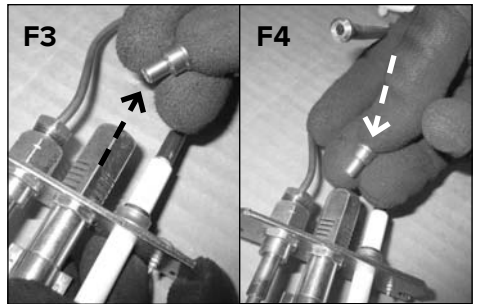
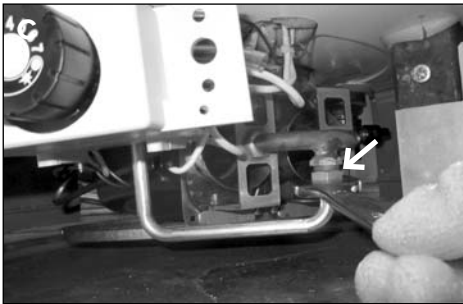
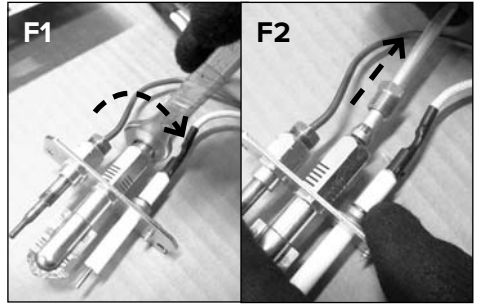
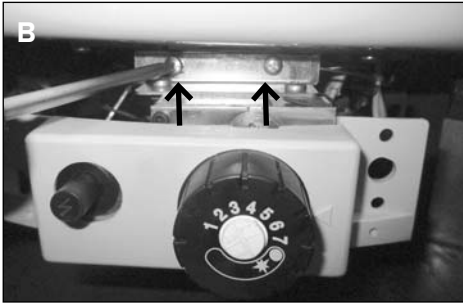
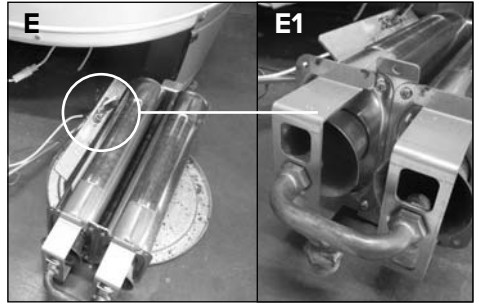
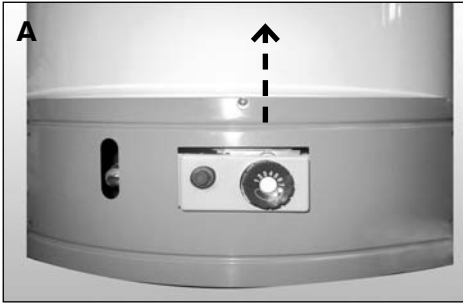
ODPORUČA SA VYKONÁŤ VÝMENU PRED INŠTALÁCIU, ABY SA PREDIŠLO DEMONTÁŽI PLYNOVEJ JEDNOTKY.

	HLAVNÝ HORÁK	PILOTNÝ HORÁK
MODELY	300	
PLYN metán (G20)	2,40	0,27x2
Kvapalný PLYN (G30-G31)	1,55	0,22x1

4

1. plynový ventil
2. otočný ovládač nastavenia teploty
3. prípojka plynu 1/2" G
4. piezoelektrický zapaľovač
5. termočlánok
6. zapaľovacia elektróda
7. pilotný horák
8. hlavný horák
9. tryska hlavného horáka





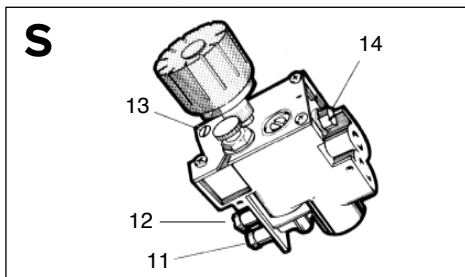


KONTROLA PRÍVODNÉHO TLAKU

Tlak prívodu plynu sa meria v tlakovej zásuvke 11, **obr. S**, prostredníctvom tlakomera a je vyjadrený v milibaroch.

NASTAVENIE PLAMEŇA PILOTNÉHO HORÁKA (Ventil EUROSIT)

Nastavenie sa vykonáva skrutkou 12 (obr. 5). Plameň pilotného horáka je nastavený, keď je jeho dĺžka približne 2-3 cm a zasahuje hornú časť termočlánku.

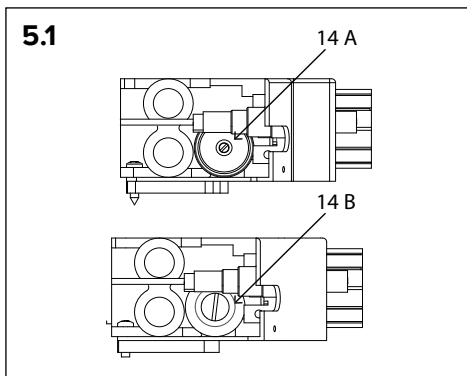


		TLAK PRÍVODU PLYNU	TLAK HOŘÁK
PLYN metán (G20)		20 mbar	13,3
Kvapalný PLYN	Bután (G30)	28 ÷ 30 mbar	25,7
	Propán (G31)	37 mbar	28,4

⚠ VÝSTRAHA!

V prípade použitia plynu **G30, G31**

- **PLYNOVÝ VENTIL TYPU A**
úplne skrutkujte regulátor 14 A obr. 5.1
- **PLYNOVÝ VENTIL TYPU B**
odskrutkujte ventil 14 B, obr. 5.1, podľa otočením proti smeru hodinových ručičiek pre dve kola



BEZPEČNOSTNÉ SYSTÉMY

Pro zaistenie správnej činnosti je zariadenie vybavené nižšie uvedenými ochranami:

- **Kontrola plameňa a termočlánok**
preuší prívod plynu v prípade neprítomnosti pilotného plameňa. Opakovaný, a nie príležitostný, zásah tejto ochrany poukazuje na nesprávnu činnosť zariadenia, a preto je potrebný zákrok kvalifikovaného personálu.
- **Termostat kontroly nadmernej teploty**
zasahuje rovnakým spôsobom ako termočlánok, keď teplota vody prekročí 90 °C; v tomto prípade zariadenie nemôže byť znovu zapnuté, dokiaľ nebude odvedená teplá voda. V každom prípade je potrebný zákrok kvalifikovaného personálu pre odstránenie chyby ešte pred opätovným zapnutím zariadenia

ÚDRŽBA

Vykonávanie údržby je nevyhnutným predpokladom pre riadnu činnosť a dlhú životnosť zariadenia. Je potrebné vykonávať ju v súlade s platnými normami.



UPOZORNENIE!

Pred zahájením údržby zatvorte prívod plynu a vody rozvodu s teplou úžitkovou vodou.

Odporúča sa vykonať na zariadení aspoň raz ročne nasledujúce kontroly:

1. Kontrola tesnosti časti s vodou.
2. Kontrola tesnosti častí s plynom, spojená s prípadnou výmenou tesnení.
3. Vizuálna kontrola celkového stavu zariadenia a horenia.
4. Vizuálna kontrola spaľovacej komory a prípadné vyčistenie horáka.
5. Prípadná demontáž a čistenie trysky po kontrolách uvedených v bode 3 a 4.
6. Nastavenie kvôli dosiahnutiu správneho prietoku plynu.
7. Kontrola činnosti bezpečnostných systémov rozvodu vody (medzná teplota a medzný tlak).
8. Kontrola činnosti bezpečnostných systémov rozvodu plynu (nepriťomnosť plynu alebo plameňa, plynový ventil, atď.).
9. Kontrola parametrov ventilácie miestnosti.
10. Kontrola parametrov odvádzania spalín.

POZN.: Vnútrotné telo ohrievača vody nesmie byť počas uvedeného postupu vystavené nárazom, ktoré by mohli poškodiť vnútrotný ochranný plášť.

Informácie pre Užívateľa


Informujte užívateľa o spôsoboch činnosti zariadenia.

Hlavne nezabudnite doručiť užívateľovi návody na použitie a informovať ho, že je potrebné uschovať ich ako súčasť zariadenia.

Ďalej poskytnite užívateľovi nasledovné informácie:

- O spôsobe nastavenia teploty a regulačných zariadení kvôli zaisteniu správnej a úspornej správy zariadenia.
- O potrebe pravidelného vykonávania údržby rozvodu v súlade so zákonom stanovenými požiadavkami.
- O tom, že je jednoznačne zakázané meniť nastavenia týkajúce sa prívodu vzduchu podporujúceho horenie a spaľovaného plynu.

IDENTIFIKAČNÝ ŠTÍTK

		
0000000 00,14312,0000000		
Rok výroby	Dátum výroby (vzťahnutý na deň v roku)	

výrobné číslo

TECHNICKÉ PARAMETRE

Identifikačné označenie modelu dodávateľa	SGA X... - AG LNX... - TES X...	
Model	300	
Certifikát ES	51CT4893	
Menovitá kapacita	l	275
Reálna kapacita	l	275
Menovitý tlak	bar	8
Menovitý tepelný výkon	kW	16
Úžitkový výkon	kW	14
Doba ohrevu ACS t 45 °C	min.	62
Tepelný rozptyl pri 60 °C	W	2,86
Prietok teplej vody		
Produkcia pri 30 K	l/h	401
Produkcia pri 45 K	l/h	301
Erp		
Deklarovaný záťažový profil	XXL	
Energetická účinnosť ohrevu vody η_{wh}	%	63
Energetická trieda	B	
Denná spotreba elektrickej energie Q_{elec}	kWh	--
Denná spotreba paliva Q_{fuel}	kWh	38,89
Úroveň akustického výkonu L_{WA}	dB	59
Emisie oxidu dusíka (spalné teplo)	[mg/kWh]	31
Ročná spotreba elektrickej energie AEC	kWh/rok	--
Ročná spotreba paliva AFC	GJ/rok	30,7
Zmiešaná voda pri 40 °C V40	l	396
Cieľová teplota prednastavená vo výrobnom závode	°C	50
Vzťažné nastavenie termostatu	4	
Tlak pripojenia plynu		
Metán G20	mbar	20
Kvapalný plyn (bután) G30	mbar	28 ÷ 30
Kvapalný plyn (propán) G31	mbar	37
Spotreba plynu		
Metán G20	m ³ /h	1,69
Kvapalný plyn (bután) G30	Kg/h	1,262
Kvapalný plyn (propán) G31	Kg/h	1,243
Hodnoty spalín		
Ťah	mbar	0,015
Hmotnostný prietok spalín	g/s	16
Teplota spalín	°C	137

Ohľadom zoznamu ekvivalentných modelov vychádzajte z prílohy A, ktorá je neoddeliteľnou súčasťou tejto príručky.

Výrobky bez štítku a príslušného listu pre sústavy ohrievačov vody a solárnych zariadení, vyžadovaných nariadením 812/2013, nie sú určené pre realizáciu týchto systémov.

INSTRUCȚIUNI GENERALE SIGURANȚĂ

1. **Citiți cu atenție instrucțiunile și aver-tismele prezentate în acest manual; acestea oferă informații importante pen-tru siguranța instalației, utilizarea și între-ținerea acestui nou dispozitiv.**

Prezentul manual reprezintă o parte in-tegrantă și esențială a produsului. Aces-ta va însoți întotdeauna echipamentul, chiar dacă produsul este transferat către alt deținător sau utilizator și/sau instalat pe alt sistem.

2. Producătorul nu va fi responsabil pentru nici o avariere sau rănire a persoanelor sau animalelor datorate folosirii inadec-vate, incorecte și nerezonabile sau neres-pectării instrucțiunilor prevăzute în acest manual.
3. Acest aparat este proiectat pentru produ-cerea de apă caldă menajeră. Trebuie co-nectat la rețeaua de alimentare pentru apă caldă menajeră, ce trebuie să fie compati-bilă cu performanța și puterea aparatului. Folosirea aparatului pentru scopuri diferi-te de cele specificate este strict interzisă. Producătorul nu va fi responsabil pentru nici o avariere datorată folosirii inadecva-te, incorecte sau nerezonabile sau neres-pectării instrucțiunilor prevăzute în acest manual.

Tehnicianul instalator trebuie să fie calificat și autorizat pentru instalarea echipamente-lor de încălzire în conformitate cu Decretul Ministerial nr. 37 din 22 ianuarie 2008 cu amendamentele ulterioare, ce actualizează legile privind instalarea sistemelor în interiorul clădirilor. Acest aparat satisfa-ce prevederile Decretului Ministerial nr. 174/2004, din 6 aprilie 2004, privind con-tactul cu apa menajeră.

4. Instalarea, întreținerea și toate celelalte in-tervenții trebuie să fie efectuate în deplină conformitate cu reglementările legale în vi-goare și orice instrucțiuni furnizate de pro-ducător, conform legii aplicabile (Decret Prezidențial 74/2013 cu amendamentele ulterioare).

În cazul unei erori și/sau defecțiuni, opriți aparatul și închideți robinetul de gaz.

Nu încercați să realizați singur reparațiile, contactați un profesionist calificat.

Orice lucrări de reparații vor fi efectuate de tehnicieni calificați, folosind doar piese de schimb originale. Nerespectarea in-strucțiunilor de mai sus poate compromite siguranța dispozitivului și anula garanția producătorului.

În cazul întreținerii sau oricăror alte lu-crări structurale în imediata apropiere a tubulaturii sau dispozitivelor de evacuare a gazelor arse și accesoriilor relevante, opriți aparatul, iar la finalizarea lucrărilor asigurați verificarea eficienței respective-lor tubulaturi sau dispozitive de către un profesionist calificat.

5. Păstrați toate materialele de ambalare (cle-me, pungi plastic, polistiren expandat, etc.) departe de copii, deoarece pot reprezen-ta un pericol.
6. Acest aparat poate fi folosit de copiii cu vârsta de cel puțin 8 ani și persoane cu capacitate fizică, senzorială sau mentală redusă, sau lipsă de experiență și cunoș-tințe, doar sub supraveghere sau după in-struirea privind folosirea aparatului în mod sigur și înțelegerea riscurilor potențiale implicate.

Nu lăsați copiii să se joace cu aparatul. Ori-ce lucrări de curățare și întreținere efec-tuate de către utilizator nu vor fi realizate de copii fără supraveghere.

7. Este obligatorie montarea unei supape de siguranță pe conducta de intrare apă a aparatului. Pentru țările care au imple-mentat standardul EN 1487, unitatea de siguranță trebuie să aibă o presiune ma-ximă de 0,7 MPa și trebuie să includă cel puțin un robinet de secționare, un robinet de reținere, o supapă de siguranță și un dispozitiv de deconectare presiune apă.
8. Presiunea dispozitivului de siguranță (su-papă de siguranță sau unitate) nu trebuie să fie modificată și trebuie să fie testată

- periodic pentru ca dispozitivul să nu fie înfundat și pentru îndepărtarea oricăror depuneri de calcar.
9. Este normal să picure apă din unitatea de siguranță în timpul încălzirii. Din acest motiv ieșirea de golire trebuie să fie conectată și să fie permanent deschisă la aer, cu o conductă de golire cu pantă descendentă continuă instalată într-o locație ferită de îngheț.
 10. Aparatul trebuie să fie golit și deconectat de la alimentare dacă va fi lăsat nefolosit într-o locație supusă înghețului.
 11. Apa caldă furnizată de la robinete la temperaturi de peste 50 °C poate produce imediat arsuri grave. Copiii, persoanele cu dizabilități și bătrânii sunt expuși unui risc mai mare de arsuri. Ca urmare, este recomandată folosirea unei baterii amestecătoare cu termostat pentru conducta de ieșire de apă a aparatului (care este identificată cu un colier roșu).
 12. Nu se vor lăsa articole inflamabile în contact cu sau în apropierea aparatului.
 13. Nu staționați sub aparat și nu plasați sub acesta obiecte ce pot fi avariate de scurgerile de apă.
 14. Nu folosiți insecticide, solvenți sau detergenți agresivi pentru curățarea aparatului; acestea pot afecta suprafețele din plastic sau vopsite.
 15. Dacă detectați miros de ars sau fum dinspre aparat, opriți-l, deconectați-l de la alimentarea electrică, închideți robinetul de alimentare cu gaz, deschideți toate ferestrele și contactați serviciul de asistență. Risc de rănire din cauza arsurilor, inhalării de fum sau intoxicații.
 16. **Pentru păstrarea aparatului în bună stare de funcționare, acesta trebuie să fie supus unor lucrări de întreținere anuale și trebuie testat pentru noxe în conformitate cu legislația locală. Tehnicianul care realizează aceste lucrări trebuie să fie calificat și să completeze jurnalul de întreținere în conformitate cu legislația.**

IMPORTANT!

PENTRU A ADAPTA BOILERUL LA UN GAZ DIFERIT DE CEL DIN CALIBRARE TREBUIE REALIZATĂ SCHIMBAREA DUZELOR.

SE RECOMANDĂ REALIZAREA SCHIMBULUI ÎNAINTE DE INSTALARE PENTRU A EVITA DEMONTAREA GRUPULUI GAZ.

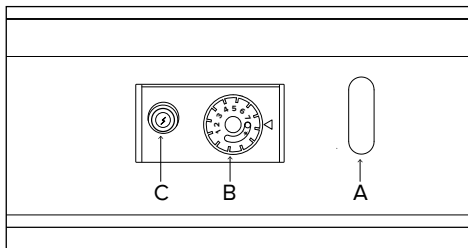
INSTRUCȚIUNI PENTRU UTILIZATOR



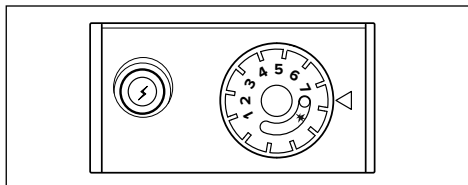
AVERTISMENT!

Lucrările de instalare, prima aprindere și întreținere vor fi executate doar de personal calificat, în conformitate cu instrucțiunile furnizate. Instalarea incorectă poate duce la rănirea oamenilor, animalelor sau avarierea bunurilor; compania producătoare nu va fi responsabilă pentru astfel de daune. Dacă aparatul este instalat în interiorul unui apartament, verificați respectarea tuturor prevederilor cu privire la admisia de aer și ventilația camerei (în conformitate cu legislația în vigoare).

PROCEDURĂ DE APRINDERE



Rotiți butonul de la **O** (oprit) la **★** (pilot).



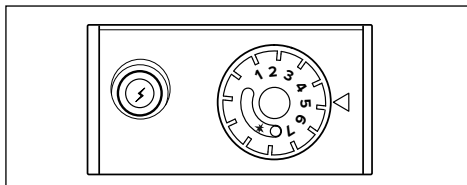
Apăsați complet în interior butonul B și mențineți; acum apăsați aprinzătorul piezo-electric C.

Verificați prezența flăcării prin gaura A. După ce flacăra este aprinsă continuați apăsarea butonului B pentru încă circa 20 de secunde. Dacă flacăra pilot nu rămâne aprinsă, repetați procedura de mai sus.

SETAREA TEMPERATURII APEI

Butonul B poate fi folosit pentru stabilirea temperaturii apei calde.

Rotiți butonul de la poziția de aprindere **★** la indicele corespunzător temperaturii dorite: de la 1 (circa 42 °C) la 7 (circa 70 °C).



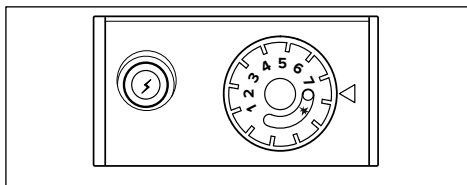
Pentru reducerea consumului de gaz și rularea eficientă a aparatului, se recomandă folosirea setării 5 (circa 60 °C). Această temperatură reduce de asemenea formarea depunerilor în încălzitorul de apă, atunci când apa folosită este foarte dură (conținut excesiv de calciu).

AVERTISMENT!

Setarea încălzitorului de apă la mai mult de 50 °C poate produce arsuri serioase. Verificați întotdeauna temperatura apei înainte de utilizare.

OPRIREA APARATULUI

Pentru oprirea aparatului rotiți butonul B la **O** (oprit).



INSTRUCȚIUNI PENTRU UTILIZATOR

RECOMANDĂRI DE UTILIZARE

Verificați ca toate robinetele de apă caldă să fie închise și să nu prezinte scurgeri, deoarece orice scurgeri pot duce la folosirea gazului și creșterea temperaturii apei. Este esențială golirea încălzitorului dacă nu va fi utilizat și este montat într-o zonă supusă temperaturilor de îngheț.

Pentru golirea încălzitorului, procedați astfel:

- a) Opriti arzătorul și închideți robinetul de alimentare cu gaz.
- b) Închideți robinetul de alimentare cu apă din amonte.
- c) Îndepărtați conducta de alimentare cu apă rece și îndepărtați supapa de siguranță.
- d) Conectați un furtun, cu o lungime adecvată pentru a ajunge la scurgere, la armătura intrării de apă (inel albastru) de pe încălzitor.
- e) Deschideți robinetul de alimentare cu apă caldă din aval de încălzitor.

Avertisment!

La golirea încălzitorului, apa care părăsește încălzitorul poate fi foarte fierbinte.

Pentru curățarea părților externe opriți aparatul. Realizați curățarea folosind o cârpă umedă și o soluție de apă cu săpun.

Nu folosiți detergenți agresivi, insecticide sau produse toxice. Respectarea normelor de siguranță asigură o funcționare sigură, ecologică și cu un consum redus de energie.

NOTĂ: În timpul lucrărilor evitați lovirea componentelor interne ale încălzitorului, lovituri ce pot afecta captușeala de protecție internă.

RECOMANDĂRI PENTRU PREVENIREA DEZVOLTĂRII LEGIONELLA

Legionella sunt mici bacterii în formă de bastonașe ce reprezintă un constituent natural al apelor dulci. Boala legionarilor este o infecție pulmonară gravă produsă de inhalarea speciei de bacterii Legionella pneumophila sau a altor specii de Legionella. Această bacterie este prezentă frecvent în mediile casnice, hoteliere și alte sisteme de apă și în apa folosită pentru sistemele de aer condiționat sau de răcire a aerului. Ca urmare cea mai bună acțiune este prevenția, prin controlul organismelor prezente în sistemele de apă.

Standardul European CEN/TR 16355 oferă recomandări pentru bune practici cu privire la prevenirea dezvoltării Legionella în instalațiile de apă potabilă dar sunt în vigoare și reglementările naționale.


Acest încălzitor de apă cu rezervor este vândut cu un termostat setat la o temperatură mai mare de 60 °C. Asta înseamnă că poate realiza un “ciclu de dezinfectare termică” pentru restricționarea dezvoltării Legionella în interiorul rezervorului. Pentru a preveni stagnarea pentru perioade mai mari de timp, apa trebuie să fie folosită sau consumată abundant cel puțin o dată pe săptămână.


AVERTISMENT!

Setarea încălzitorului de apă la mai mult de 50 °C poate produce arsuri serioase. Verificați întotdeauna temperatura apei înainte de utilizare.


REGLEMENTĂRI DE SIGURANȚĂ (PENTRU INSTALATOR)

Legenda simbolurilor:


 Nerespectarea acestui avertisment implică un risc de rănire personală, și în unele circumstanțe chiar moarte.


 Nerespectarea acestui avertisment poate duce la distrugerea gravă a bunurilor, plantelor sau animalelor. Producătorul nu este răspunzător pentru daunele rezultate din utilizarea incorectă a produsului sau neinstalarea acestuia conform instrucțiunilor prezente.

Instalați aparatul într-un subsol rezistent ce nu este supus vibrațiilor.


 Zgomote în timpul utilizării.


La executarea orificiilor în perete pentru instalare aveți grijă să nu avariați cablurile electrice sau conductele existente.

 Risc de electrocutare prin expunere la cabluri sub tensiune. Avarierea instalațiilor existente.


 Inundație produsă de apa scursă din conductele avariate.


Verificați ca locația de instalare și orice sisteme cu care trebuie conectat aparatul să se conformeze cu reglementările aplicabile.

 Risc de electrocutare prin contactul cu cabluri sub tensiune care au fost instalate incorect.


 Avarierea aparatului produsă de condițiile de operare incorecte.

Folosiți scule și echipament adecvat (în special, verificați ca uneltele să nu fie uzate și ca mânerul să fie bine fixat); folosiți-le corect și aveți grijă nu fie scă-pate de la înălțime. După ce nu mai sunt necesare acestea vor fi îndepărtate.


 Rănire produsă de împrăștierea de așchii sau fragmente, inhalare de praf, lovituri, tăieturi, înțepături și zgârieturi.

 Avarierea aparatului și obiectelor înconjurătoare produsă de proiectarea de așchii, loviri sau incizii.


Verificați ca toate scările portabile să fie poziționate sigur, să aibă rezistența necesară, treptele să fie intacte și nealunecoase, iar scările să nu fie deplasate cu persoane pe ele și să fie supravegheate permanent.

 Risc de rănire produsă de căderea de la înălțime sau forfecare (închiderea accidentală a scărilor).


Verificați ca toate scările cu roți să fie poziționate sigur, să aibă rezistența necesară, iar treptele să fie intacte și nealunecoase. Verificați ca scările să fie prevăzute cu balustrade pe ambele părți ale scării și parapete pe platformă.

 Rănire produsă de căderea de la înălțime.


În timpul tuturor lucrărilor executate la înălțime (în general mai mare de doi metri), asigurați folosirea parapetelor în jurul zonei de lucru sau folosirea hamurilor individuale pentru prevenirea căderilor. Verificați ca spațiul în care pot exista căderi accidentale să fie lipsit de obstacole periculoase, și să fie acoperit cu suprafețe semirigide sau deformabile pentru amortizarea impactului.

 Rănire produsă de căderea de la înălțime.


Verificați ca spațiul de lucru să prezinte condiții de igienă și sanitare adecvate în ceea ce privește iluminatul, ventilația și soliditatea structurilor relevante.

 Rănire produsă de lovire, împiedicare, etc.

Protejați aparatul și toate zonele din apropierea zonei de lucru folosind materiale adecvate.


 Avarierea aparatului și obiectelor înconjurătoare produsă de proiectarea de așchii, loviri sau incizii.

Manipulați aparatul cu atenție, folosind protecția adecvată.


 Avarierea aparatului sau obiectelor înconjurătoare produsă de șocuri, lovituri, incizii sau zdrobire.

În timpul tuturor procedurilor de lucru purtați îmbrăcăminte și echipament de protecție individual.


Nu atingeți produsul instalat când sunteți desculți sau când orice parte a corpului este udă.

 Rănire produsă de electrocutare, împărștierea de așchii sau fragmente, inhalare de praf, lovituri, tăieturi, înțepături, zgârieturi, zgomote și vibrații.


Aranjați materialele și echipamentul astfel încât să se asigure deplasarea ușoară și sigură, evitând crearea de grămezi ce pot cădea.

 Avarierea aparatului sau obiectelor înconjurătoare produsă de șocuri, lovituri, incizii sau zdrobire.

Toate lucrările în interiorul aparatului vor fi executate cu grija necesară pentru a evita contactul dur cu piesele ascuțite.

 Rănire produsă de tăieturi, înțepături și zgârieturi.


Resetați toate funcțiile de siguranță și control afectate de orice lucrări executate asupra aparatului și verificați funcționarea lor corectă înainte de repornirea aparatului.


 Avarierea sau oprirea aparatului produsă de o funcționare necontrolată.

Înainte de manipulare, goliți orice componente ce pot conține apă caldă.

 Rănire produsă de arsuri.

Îndepărtați depunerile de pe componente, în conformitate cu instrucțiunile furnizate pe “fișa de siguranță” a produsului folosit, aerisirea camerei, purtarea de îmbrăcăminte de protecție, evitarea amestecării de diferite produse, și protejarea aparatului și obiectelor înconjurătoare.

 Rănire produsă de intrarea substanțelor acide în contact cu pielea sau ochii, inhalarea sau înghițirea de substanțe chimice periculoase.

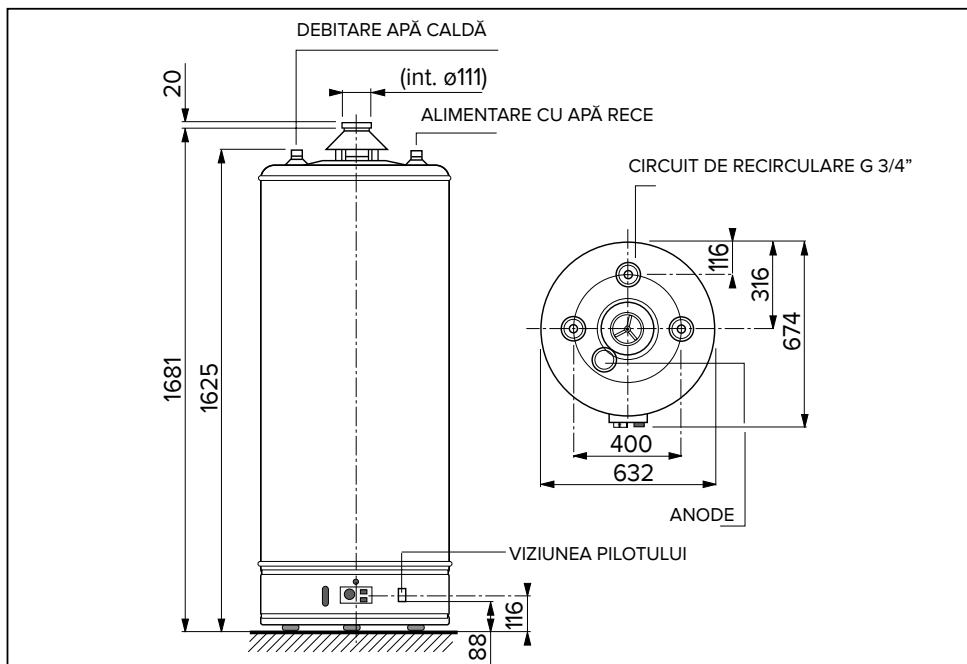
 Avarierea aparatului sau obiectelor înconjurătoare produsă de coroziunea produsă de substanțe acide.

CARACTERISTICI TEHNICE

Încălzitorul este alcătuit din:

- Un rezervor protejat la interior de un strat de email vitros, cu un anod cu viață lungă pentru protecția la coroziune.
- O carcasă exterioară din oțel vopsit.
- O izolație folosind spumă poliuretanică de înaltă densitate (fără CFC) ce reduce pierderile de căldură.
- O nișă gaze de eşapament ce protejează contra revenirii gazelor de ardere.
- Un robinet de gaz ce include:
 - Un termostat reglabil cu mai multe poziții,
 - un sistem de siguranță folosind un termocuplu,
 - un limitator de temperatură ce oprește alimentarea cu gaz atunci când funcționarea nu este corectă.
- Un arzător tubular din oțel inox, cu zgomot redus, adaptabil pentru utilizare cu toate tipurile de gaz.
- Aprindere piezoelectrică.
- Un dispozitiv de siguranță ce protejează contra revenirii gazelor de ardere

DIMENSIUNE GENERALĂ



MODEL	Capacitate (litri)	TIMP DE ÎNCĂLZIRE		capacitate termică kW	Evaluare utilă kW
		t 25°C	t 45°C		
300	275	40 min	65 min	16	14

CATEGORIA II _{2H3+} Tipo B11 BS	Pentru încălzitoare proiectate pentru funcționare cu gaz natural (metan) adaptabile la funcționarea cu GPL.
---	---



AVERTISMENT!

Instalați aparatul pe o bază de sprijin rezistentă și ferit de vibrații. Asigurați-vă că locul de amplasare și instalațiile la care se leagă aparatul sunt conforme cu normele în vigoare.

POZIȚIONARE

Poziționați aparatul conform regulilor aplicabile ale tehnicii.

Poziționați aparatul lângă un perete astfel încât cele două tuburi de intrare și ieșire să fie paralele față de acesta.

Dacă boilerul trebuie instalat în unghiul dintre doi pereți, păstrați între perete și aparat o distanță suficientă pentru instalarea și demontarea componentelor.

Locul instalării

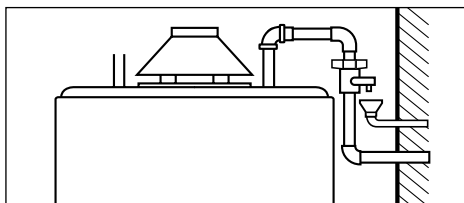
Alegerea locului de instalare trebuie să respecte reglementările aplicabile. Aparatul trebuie să fie instalat perfect vertical.

Aparatul nu poate fi instalat în apropierea unei surse de căldură. Nu instalați aparatul în medii în care temperaturile pot scădea sub 0 °C.

RACORD DE APĂ

- Racordați încălzitorul la sistemul de distribuție a apei folosind o conductă de 3/4". Intrarea de apă rece este pe partea dreaptă (inel albastru) iar ieșirea de apă caldă este pe partea stângă (inel roșu) privind dinspre fața încălzitorului.
- Încălzitorul trebuie să fie prevăzut cu o supapă de siguranță pentru apă - robinet de reținere (furnizat cu încălzitorul) montat pe conducta de intrare (inel albastru). Nu trebuie să modificați supapa în nicio situație.

- Verificați, lăsând apa să curgă un timp, că nu există materii străine pe linia de alimentare cu apă, cum ar fi șpan, nisip, lubrifiant conducte, etc. Dacă asemenea materiale ajung în supapa de siguranță - robinetul de reținere, pot produce o funcționare defectuoasă și în unele cazuri chiar defectarea supapei.
- Verificați ca presiunea de alimentare a apei să fie mai mică de 8 bar (0,8 MPa). Când presiunea este mai mare, trebuie să montați un robinet reductor de presiune de bună calitate. În acest caz vor exista scurgeri de apă din supapa de siguranță în timpul încălzirii. Respectivele picături de apă vor apărea chiar și dacă în amonte de supapă este montat un robinet de reținere.
- Evitați ca picurarea de la valvă să cadă direct pe boiler.
Aplicați astfel valva așa cum este ilustrat în figură, prevăzând o mică pâlnie de colectare (picurător) conectată la evacuare.



IMPORTANT!

Dacă aparatul este instalat în zone în care este prezentă apa dură (> 200 mg/l) este necesară instalarea unui dedurizator de apă pentru a reduce precipitarea calcarului în schimbătorul de căldură. Garanția nu acoperă daunele produse de calcar.

DESCĂRCARE

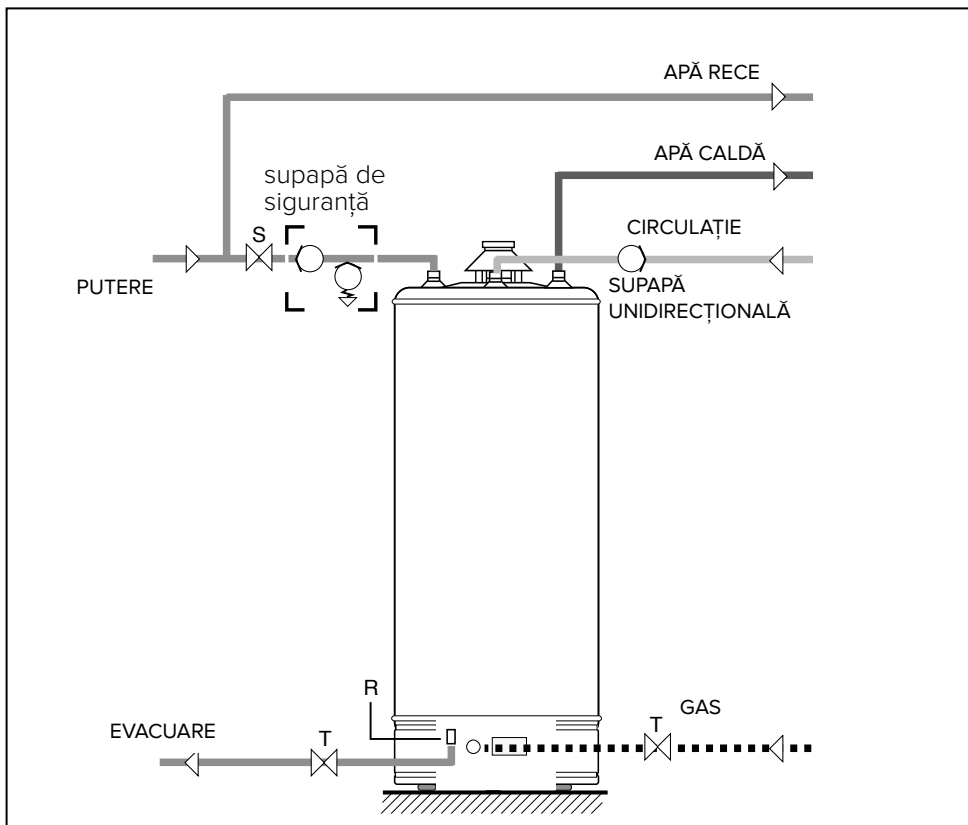
Realizați golirea aparatului, dacă acesta rămâne inactiv pentru timp îndelungat. În cadrul realizării instalației, preveniți o astfel de eventualitate și racordați robinetul de descărcare la racordul R.

PETNRU A GOLI BOILERUL ESTE NECESAR:

- să stingeți arzătorul și să închideți alimentarea cu gaz,
- să închideți robinetul de interceptare în amonte de aparat,
- să deschideți robinetele de utilizare în aval de boiler,
- să deschideți robinetul de descărcare conectat la racordul R.

RECIRCULARE

În cazul în care instalația utilizatorului cuprinde și circuitul pentru recircularea apei menajere, se poate folosi același racord R folosit pentru descărcare. Circuitul de mai jos prezintă schematizat racordul de efectuat în acest caz.



CONECTAREA LA COȘ

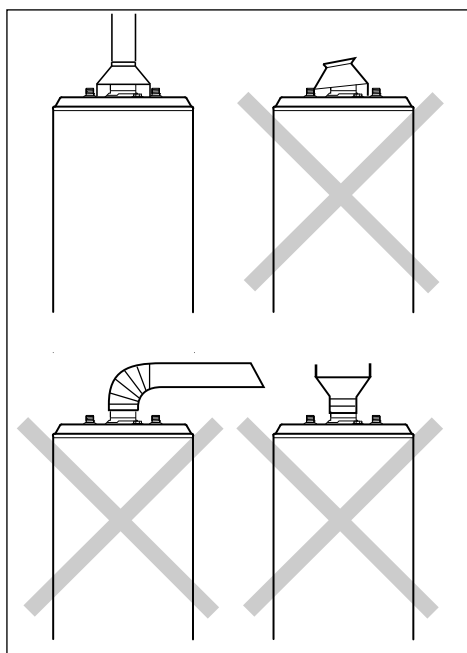
Aparatele de tipul B11bs sunt versiuni cu cameră deschisă, proiectate pentru conectare la o tubulatură de evacuare a gazelor arse ce evacuează noxele către exterior; aerul de ardere este preluat direct din interiorul camerei în care este instalat încălzitorul. Gazele arse sunt evacuate printr-un sistem cu tiraj natural. Acest tip de aparat nu poate fi instalat într-o cameră ce nu satisface cerințele adecvate de ventilație din reglementările aplicabile.

Pentru ca funcționarea normală a aparatului să nu fie compromisă, locația în care este instalat trebuie să fie adecvată din perspectiva valorii temperaturii limită de operare iar aparatul trebuie să fie protejat pentru a nu intra în contact direct cu agenții atmosferici. Aparatul este proiectat pentru instalarea pe perete și trebuie să fie montat pe un perete ce îi poate susține greutatea. La crearea unui compartiment tehnic pentru montarea aparatului, lăsați un spațiu suficient în jurul modulului pentru a asigura accesul ușor la interiorul acestuia.

- Gazele de ardere trebuie să fie evacuate în exterior printr-o conductă cu diametrul minim de 80 mm, montată pe capacul aparatului, așa cum este indicat în instrucțiuni și în conformitate cu reglementările aplicabile.
- Evacuarea trebuie să aibă un tiraj bun.
- Evitați secțiunile orizontale, descendente sau îngustate de țevă de evacuare, deoarece acestea pot compromite eficiența arderii aparatului.
- Când conducta de evacuare traversează o zonă rece, neîncălzită, aceasta va fi prevăzută cu o acoperire izolantă pentru a preveni formarea condensului.

- Nu îndepărtați, modificați sau înlocuiți carcasa aparatului, deoarece este parte integrantă din sistemul de ardere cu gaz al încălzitorului.
- Tehnicianul instalator este singurul responsabil pentru instalarea corectă a conductei de evacuare.

Pentru funcționarea corectă a încălzitorului de apă cu funcționare pe gaz, carcasa trebuie să fie poziționată conform imaginii. Evitați absolut orice alt tip de instalare cum ar fi cele prezentate mai jos.



FUNCȚIONARE ȘI CONECTARE PROTECTOR GAZE ARSE

Încălzitoarele de apă sunt prevăzute cu un dispozitiv ce închide alimentarea cu gaz către arzător și astfel oprește funcționarea unității atunci când evacuarea gazelor arse este parțial sau complet obstructivă.

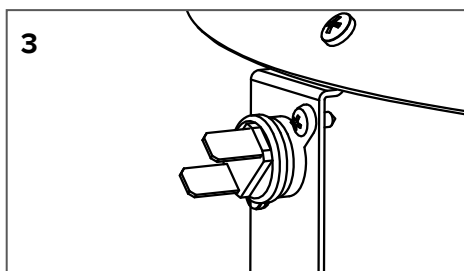
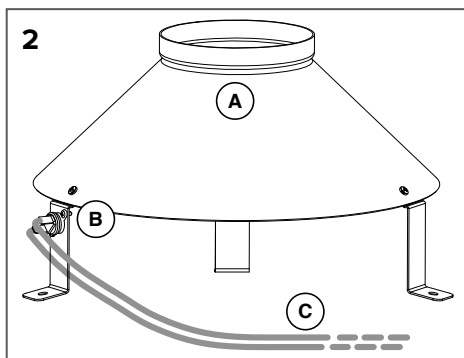
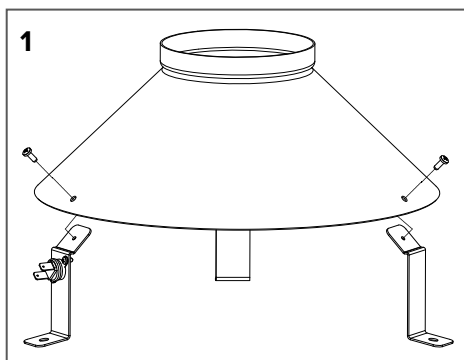
Un astfel de dispozitiv este constituit dintr-un termostat „B” (Fig. 1) cu rearmare manuală etalonat la $87\text{ }^{\circ}\text{C}\pm 3$ fixat pe coșul de fum „A”, legat la o îmbinare întreruptă de valva de gaz. Totul face parte din kitul pentru coșul de fum din dotarea aparatului ce trebuie instalat urmând următoarele instrucțiuni.

- Instalați capota de gaze arse „A”, transformând-o în cea mai bună poziție cu referire la senzorul „B” și cablul de ieșire din încălzitorul de apă.
- Conectați terminalele cablului „C” la contactele protectorului de gaze arse (Fig.2).
- Continuați cu încălzitorul normal de apă lansare. Dacă aparatul blochează, acesta trebuie reluat după cum urmează:
 - urmează după 10 minute după bloc;
 - Reinstalați încălzitorul de apă urmând instrucțiunile pentru aprinderea normală.

Dacă defectul se repetă, nu insistați cu procedura de repornire, ci solicitați intervenția unui tehnician calificat pentru a elimina cauza inconvenientului.

Verificați ca gazele de ardere să fie corect evacuate prin măsurarea conținutului de CO_2 la generarea nominală de căldură. Această valoare nu trebuie să depășească valorile prezentate în tabelul de date tehnice.

Când valoarea este mai mare, verificați eficiența sistemului de evacuare gaze arse. Dacă nu este posibilă aducerea valorii CO_2 în limitele indicate în tabelul de date tehnice, nu porniți aparatul.



AVERTISMENT!!

**SENZORUL DE NOXE NU TREBUIE SĂ FIE MODIFICAT SAU DEZACTIVAT;
ACESTE ACȚIUNI POT COMPROMITE
FUNCȚIONAREA APARATULUI.**

UN TIRAJ SLAB POATE DUCE LA REVENIREA GAZELOR ARSE ÎN CAMERA ÎN CARE ESTE INSTALATĂ UNITATEA EXISTÂND RISCUL INTOXICĂRII CU MONOXID DE CARBON.

RACORD DE GAZ



AVERTISMENT!

Lucrările de instalare, prima aprindere și întreținere vor fi executate doar de personal calificat, în conformitate cu instrucțiunile furnizate.

- Verificați ca sursa de alimentare cu gaz să folosească același tip de gaz ca cel indicat pe placa de date a unității.
- Deschideți toate ușile și ferestrele.
- Verificați să nu existe scântei sau flăcări deschise în cameră.
- Încălzitoarele de apă sunt reglate de obicei pentru funcționare cu gaz metan G20 (PCI) aproximativ 8100 kcal/m³. Nu este necesară nici o reglare la folosirea acestui gaz.
Reglarea pentru alte tipuri de gaz trebuie să fie făcută doar de personal calificat.
- Folosiți conductă de 1/2" pentru racordarea alimentării cu gaz la robinet.
- Recomandăm prevederea unui robinet de secționare pe linia de alimentare cu gaz, în amonte de unitatea de gaz.
- Efectuați racordarea la alimentarea cu gaz folosind conducte rigide (oțel, cupru, etc.) și nu conducte din material termoplastice sau cauciuc.
- După îndepărtarea capacului și efectuarea racordului, verificați pentru scurgeri în sistemul de gaz folosind apă cu săpun. Nu folosiți o flacăra pentru acest test.

Încălzitorul de apă are un anod de magneziu montat în rezervor. Durata de viață a anodului este proporțională cu temperatura medie, compoziția chimică și cantitatea de apă furnizată. Vă recomandăm să verificați starea anodului la fiecare 18-24 de luni, observând ca suprafața să fie relativ netedă. Când diametrul este mai mic de 10-12 mm, recomandăm înlocuirea anodului cu un nou anod original. Anodul este montat în partea inferioară a încălzitorului de apă, sub capacul de protecție.

IMPORTANT!

PENTRU A ADAPTA BOILERUL LA UN GAZ DIFERIT DE CEL DIN CALIBRARE TREBUIE REALIZATĂ SCHIMBAREA DUZELOR.

SE RECOMANDĂ REALIZAREA SCHIMBULUI ÎNAINTE DE INSTALARE PENTRU A EVITA DEMONTAREA GRUPULUI GAZ.

REZERVAT PENTRU INSTALATORI

Instrucțiuni pentru conversia combustibilului gazos de la setările originale: de la gaz natural (G20) la gaz-petrol lichefiat GPL (G30-G31) cu un robinet de gaz model EUROSIT

Pentru a adapta boilerul la un gaz diferit de cel din calibrare, procedați după cum este ilustrat în cadrul imaginilor următoare.

Dimensiunile orificiilor de la duze exprimate în sutimi de milimetru sunt notate în tabel.

Nu interpuneți obstacole sau obstrucțiuni între orificiul duzei și gura tubului „Venturi”

IMPORTANT!

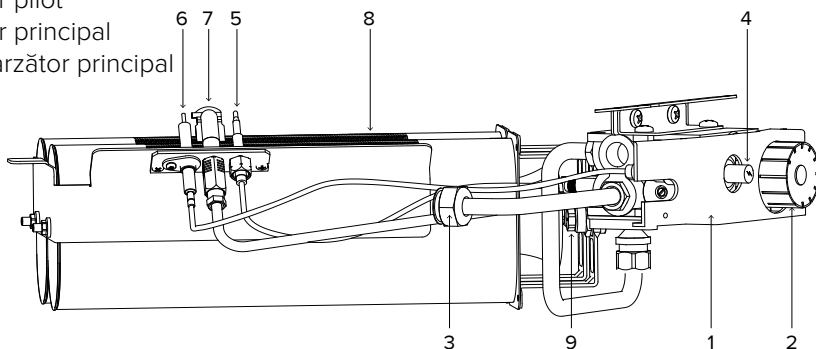
PENTRU A ADAPTA BOILERUL LA UN GAZ DIFERIT DE CEL DIN CALIBRARE TREBUIE REALIZATĂ SCHIMBAREA DUZELOR.

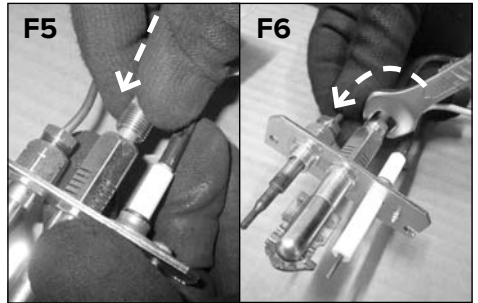
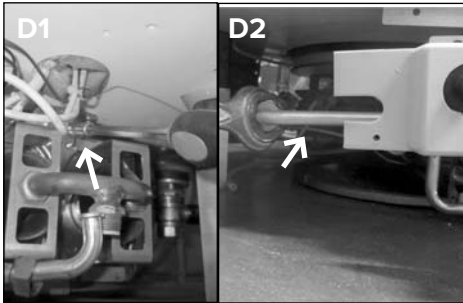
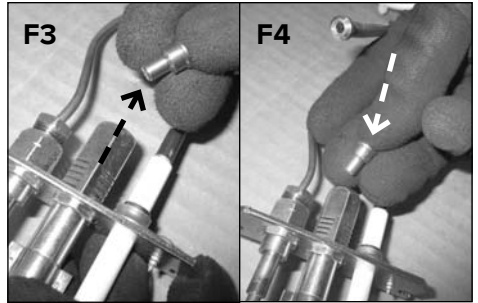
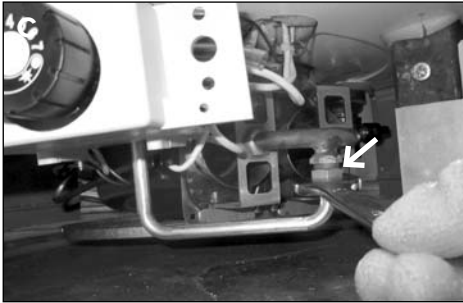
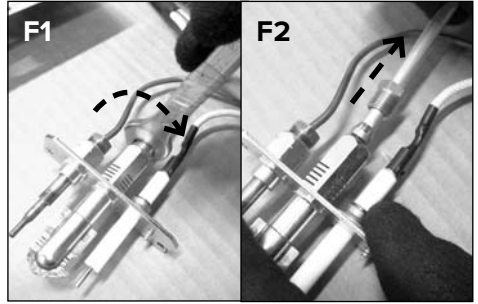
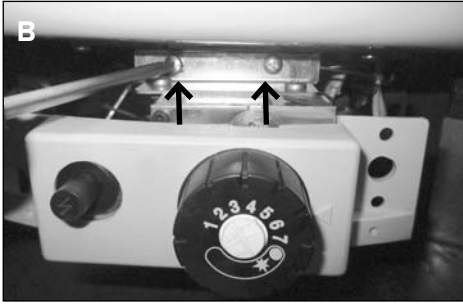
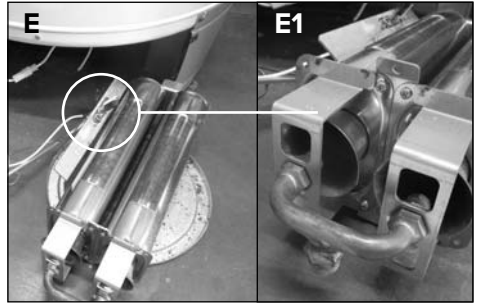
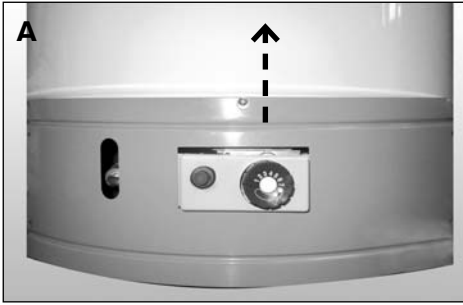
SE RECOMANDĂ REALIZAREA SCHIMBULUI ÎNAINTE DE INSTALARE PENTRU A EVITA DEMONTAREA GRUPULUI GAZ.

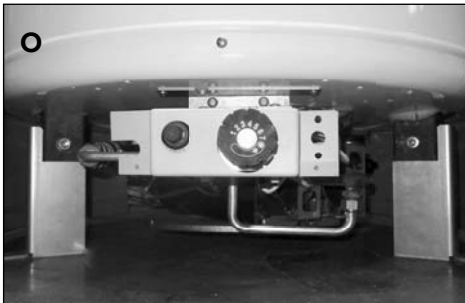
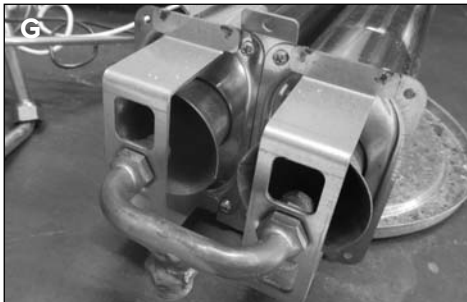
	ARZĂTOR PRINCIPAL	ARZĂTOR PILOT
MODELLI	300	
GAS metano (G20)	2,40	0,27x2
GAS liquido (G30 G31)	1,55	0,22x1

4

1. valvă gaz
2. tasta de reglare a temperaturii
3. racord gaz 1/2”G
4. aprinzător piezo
5. termocuplu
6. electrod de aprindere
7. arzător pilot
8. arzător principal
9. duză arzător principal







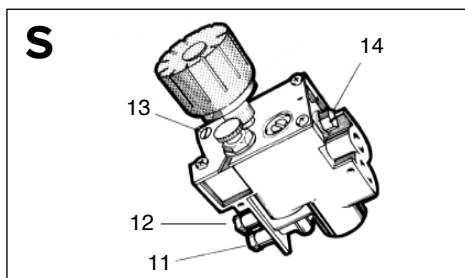
VERIFICAȚI PRESIUNEA DE ALIMENTARE

Presiunea de alimentare cu gaz este măsurată la armătura de presiune 11,, **fig. S**. folosind un manometru cu indicare în mbar, și trebuie să fie:

REGLAREA FLĂCĂRII PILOT (robinet EUROSIT)

Reglați prin acționarea șurubului 12 din, **figura S**.

Flacăra pilot este corect reglată atunci când lungimea este de aproximativ 2-3 cm iar flacăra atinge partea superioară a termocuplului.



		PRESIUNE DE ALIMENTARE CU GAZ	PRESIUNE ARZĂTOR
Metan (G20)		20 mbar	13,3
LPG	Butan (G30)	28 ÷ 30 mbar	25,7
	Propan (G31)	37 mbar	28,4

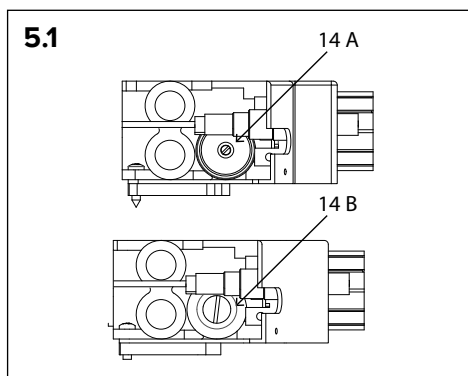
⚠ AVERTIZARE! În cazul utilizării tipurilor de gaze G30, G31:

- **VALVĂ DE GAZ TIP A**

înșurubați complet regulatorul fig.14 A. 5.1

- **VALVĂ DE GAZ TIP B**

deșurubați supapa n * 14 B, fig. 5.1, prin rotindu-l în sens antiorar pentru două runde



SISTEM DE SIGURANȚĂ

Pentru a garanta funcționarea corectă a aparatului acesta este dotat cu următoarele siguranțe:

- **Control de flacără cu termocuplu**

întrerupe afluxul de gaz în cazul în care flacăra pilot lipsește. Intervenția repetată, nu ocazională, a acestei siguranțe indică o funcționare incorectă a aparatului pentru care este necesară intervenția personalului calificat.

- **Termostat de supratemperatură**

acționează la fel ca termocuplul, în cazul în care temperatura apei depășește 90 °C; în acest caz aparatul nu poate fi repornit până când apa caldă nu a fost evacuată. Este totuși necesară intervenția personalului calificat pentru îndepărtarea defecțiunii înainte de repornirea aparatului.

ÎNȚREȚINERE

Întreținerea este o parte esențială a funcționării sigure și eficiente a aparatului și asigură durabilitatea acestuia. Se va efectua conform instrucțiunilor stabilite de legislația în vigoare.



AVERTISMENT!

Înainte de efectuarea oricăror lucrări de întreținere, închideți robinetul de alimentare cu gaz, și robinetul circuitului de apă menajeră.

Recomandăm efectuarea următoarelor verificări pentru încălzitorul de apă cel puțin o dată pe an:

1. Verificați pentru scurgeri de apă.
2. Verificați pentru scurgeri de gaz și înlocuiți garniturile după caz.
3. Inspectați starea generală a încălzitorului de apă și sistemului de ardere.
4. Inspectați camera de ardere și, dacă este necesar, curățați arzătorul.
5. După verificările 3 și 4, dacă este nevoie, îndepărtați și curățați duza.
6. Reglați debitul de gaz la valoarea corectă.
7. Verificați funcționarea dispozitivelor de siguranță pentru apă (limite de presiune și temperatură).
8. Verificați funcționarea corectă a sistemelor de siguranță pentru gaz (eroare

gaz sau flacără, robinet de gaz, etc.).

9. Verificați ventilarea corespunzătoare a camerei.

10. Verificați ca produsele de ardere (gaze arse) să fie evacuate corect.


NB: În timpul lucrărilor de curățare interiorul rezervorului de apă va fi ferit de orice lovituri ce pot afecta căptușeala de protecție internă.

Informații pentru utilizator

În special, furnizați utilizatorului manualul de instrucțiuni și informați că acesta trebuie păstrat împreună cu aparatul. Mai mult, verificați conștientizarea de către utilizator a următoarelor:

- Modul de setare a temperaturii și dispozitivelor de reglare pentru utilizarea corectă și economică a aparatului.
- Sistemul trebuie întreținut periodic în conformitate cu legislația.
- Setările privind alimentarea cu aer de ardere și gaz combustibil nu trebuie modificate în nici o situație.

ETICHETĂ

		
0000000 00,14312,0000000		
An de producție	Data producerii (ziua respectivă din an)	

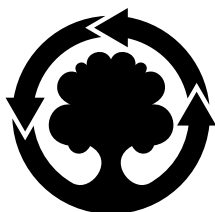
Număr serie

DATE TEHNICE

Identificator model furnizor	SGA X... - AG LNX... - TES X...	
Model	300	
Certificat CE	51CT4893	
Capacitate nominală	l	275
Capacitate reală	l	275
Presiune nominală	bar	8
Putere încălzire nominală	kW	16
Valoare utilă	kW	14
Timp încălzire pentru ACM t 45°C	min.	62
Pierdere căldură la 60° Celsius	W	2,86
Debit de apă caldă		
alimentare la 30K	l/h	217
alimentare la 45K	l/h	163
Erp DHW		
Profil încărcare declarat	XXL	
Eficiență încălzire apă η_{wh}	%	63
Clase energetica	B	
Consum zilnic electricitate Q_{elec}	kWh	--
Consum zilnic combustibil Q_{fuel}	kWh	38,89
Nivel putere zgomot L_{WA}	dB	59
Emisii de oxizi de azot	[mg/kWh]	31
Consum anual de electricitate AEC	kWh/annum	--
Consum anual de combustibil AFC	GJ/annum	30,7
Apă amestecată la 40°C V40	l	396
Temperatură punct de referință "la livrare"	°C	50
Configurare temperatură termostat	4	
Presiune de alimentare cu gaz		
G20 Metan	mbar	20
G30 Butan GPL	mbar	28 ÷ 30
G31 Propan GPL	mbar	37
Consum de gaz		
G20 Metan	m ³ /h	1,69
G30 Butan GPL	Kg/h	1,262
G31 Propan GPL	Kg/h	1,243
Valori ardere gaz		
Tiraj	mbar	0,015
Debit gaze arse	g/sec	16
Temperatură gaze de ardere	°C	137

Pentru lista modelelor echivalente vezi Anexa A, ce este o parte integrantă din acest manual.

Produsele fără etichetă și fișa pachet pentru seturi de încălzitoare de apă și dispozitive solare, cerute de reglementarea 812/2013, nu sunt proiectate pentru utilizare în aceste sisteme.



WE MAKE USE OF
RECYCLED PAPER

Ariston Thermo SpA

Viale Aristide Merloni 45 - 60044 Fabriano (AN) Italy

Telefono 0732 6011 - Fax 0732 602331

info.it@aristonthermo.com

www.aristonthermo.com



420010939800 - 09/2018